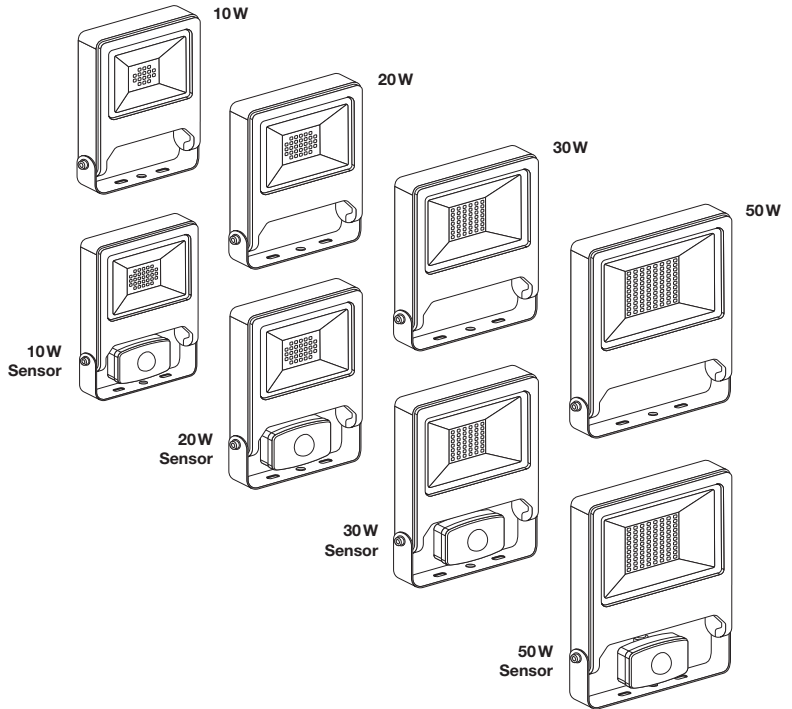
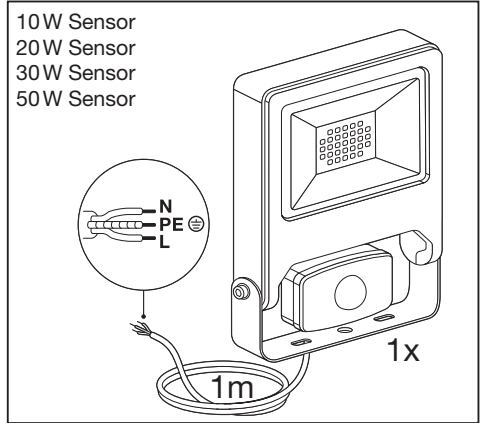
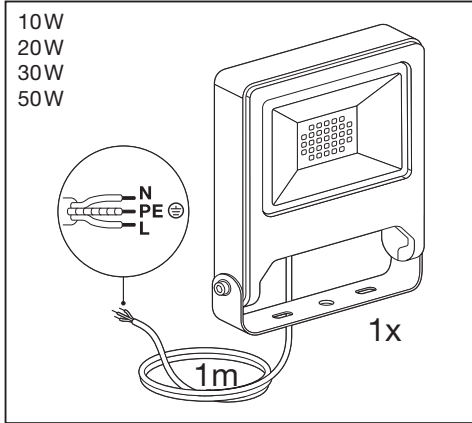


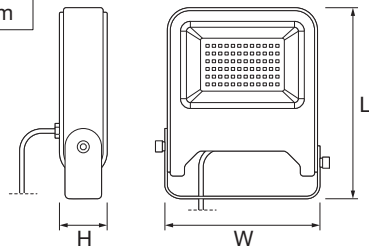
ENDURA® FLOOD




| | EAN | W | lm | K | °(°C) | V~ | mA | Hz | PF |
|---------------------------------|----------------|----|------|------|-----------|---------|-----|-------|------|
| ENDURA® FLOOD 10W 830 WT | 4058075239616 | 10 | 800 | 3000 | -20...+45 | 220-240 | 46 | 50/60 | ≥0.9 |
| ENDURA® FLOOD 20W 830 WT | 4058075239630 | 20 | 1700 | 3000 | -20...+45 | 220-240 | 92 | 50/60 | ≥0.9 |
| ENDURA® FLOOD 30W 830 WT | 4058075239654 | 30 | 2700 | 3000 | -20...+45 | 220-240 | 145 | 50/60 | ≥0.9 |
| ENDURA® FLOOD 50W 830 WT | 4058075239678 | 50 | 4500 | 3000 | -20...+45 | 220-240 | 220 | 50/60 | ≥0.9 |
| ENDURA® FLOOD SENSOR 10W 830 WT | 40580752292178 | 10 | 800 | 3000 | -10...+40 | 220-240 | 46 | 50/60 | ≥0.7 |
| ENDURA® FLOOD SENSOR 20W 830 WT | 4058075239692 | 20 | 1700 | 3000 | -10...+40 | 220-240 | 92 | 50/60 | ≥0.9 |
| ENDURA® FLOOD SENSOR 30W 830 WT | 4058075239715 | 30 | 2700 | 3000 | -10...+40 | 220-240 | 145 | 50/60 | ≥0.9 |
| ENDURA® FLOOD SENSOR 50W 830 WT | 4058075239739 | 50 | 4500 | 3000 | -10...+40 | 220-240 | 220 | 50/60 | ≥0.9 |

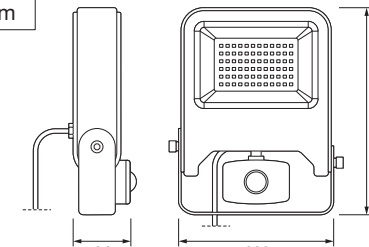



mm

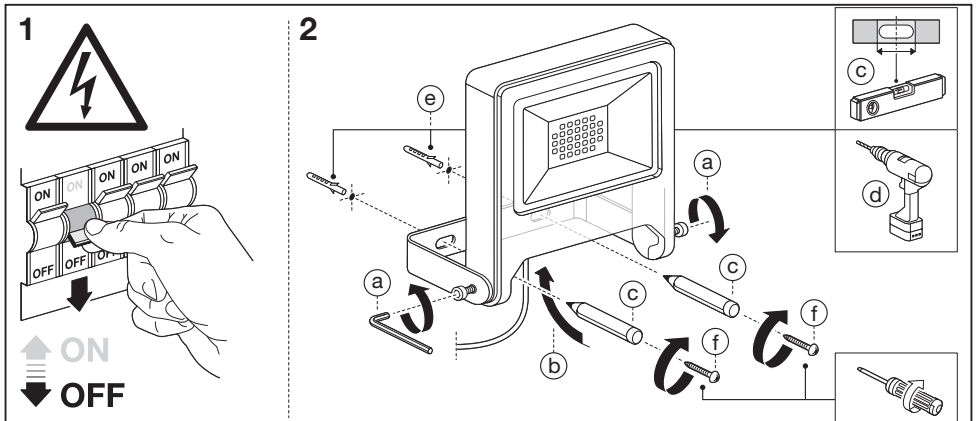


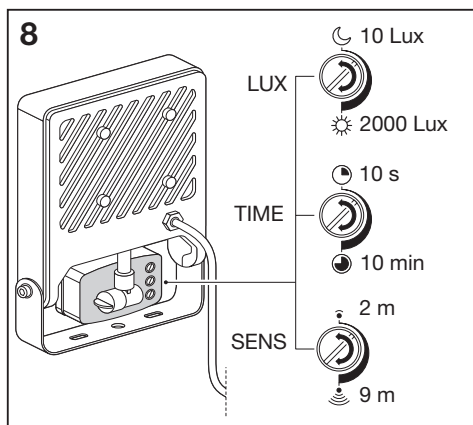
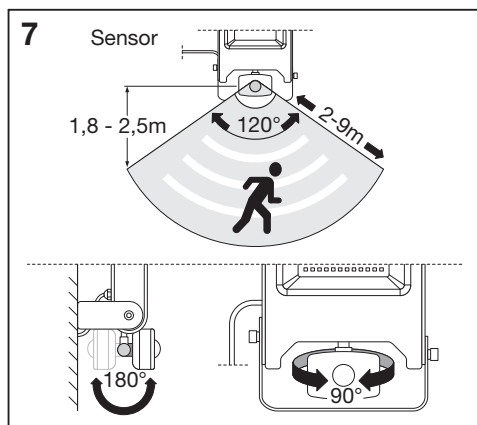
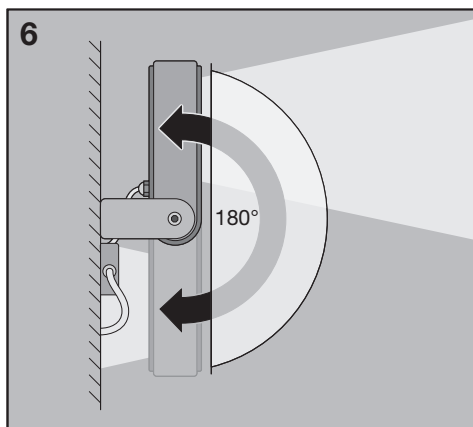
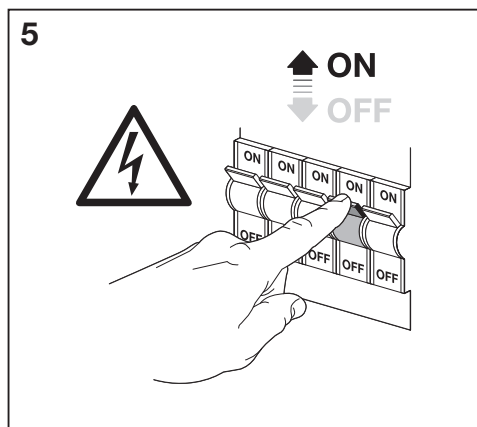
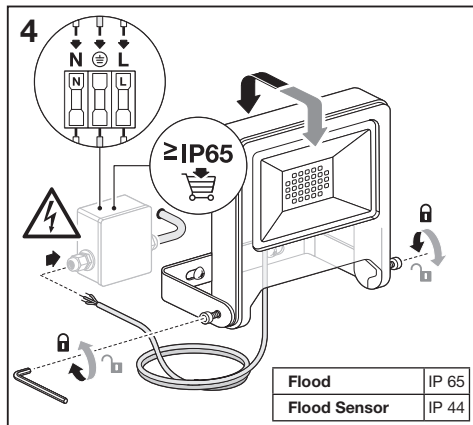
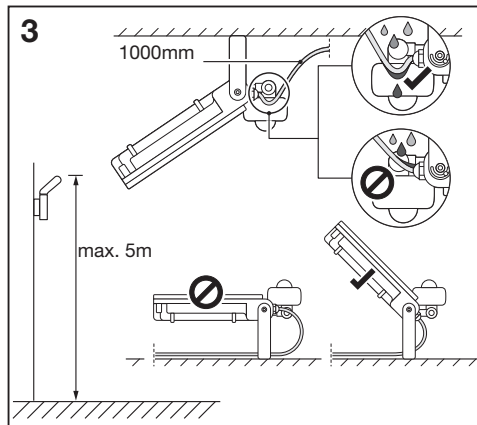
| | L | W | H |  |
|------------------|-----|-----|----|---|
| Flood 10W | 122 | 108 | 33 | 280g |
| Flood 20W | 153 | 133 | 34 | 405g |
| Flood 30W | 193 | 170 | 39 | 650g |
| Flood 50W | 245 | 210 | 43 | 1070g |

mm



| | L | W | H |  |
|-------------------------|-----|-----|----|--|
| Flood 10W Sensor | 168 | 108 | 63 | 380g |
| Flood 20W Sensor | 189 | 133 | 66 | 490g |
| Flood 30W Sensor | 223 | 170 | 66 | 720g |
| Flood 50W Sensor | 267 | 210 | 70 | 1150g |







LEDVANCE GmbH
Steinerne Furt 62
86167 Augsburg, Germany
www.ledvance.com