

FLOS

F7542054 Anodized Aluminium

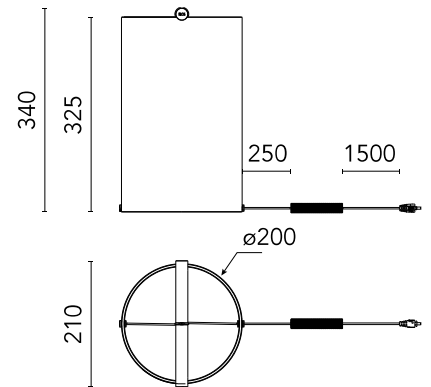
To-Tie T2 NEW

Designed by Guglielmo Poletti, 2022

7W - 336lm - 2700K - CRI > 90



Designed by Guglielmo Poletti Table lamp providing diffused light. Clear glass cylindrical lamp body available in multiple sizes. The handle is made of aluminum and also acts as a light emitter. Multi-led diffuser in specially designed white polycarbonate to avoid the Multi Shadow effect and dazzle. High efficiency LED source with a lifetime of more than 50.000 hours. Electric cable of useful length 180 cm, covered in black fabric and equipped with dimmer switch for ON/OFF and adjustment of the light flow between 10-100%. Plug-in power supply with interchangeable plugs. To-Tie is a future-proof lamp as no glue is used to assemble its different parts. The product can therefore be separated, replaced individually, and recycled separately.



Are you a professional and your project needs consulting and support?

[BOOK AN APPOINTMENT](#)

Main specifications

| | |
|-------------------|---------------------|
| EAN | 8059607047651 |
| Mounting | Table |
| Environment | Indoor dry location |
| Light source type | LED |
| LED type | LED Module |
| Power (W) | 7 |
| System flux (lm) | 336 |

Physical

| | |
|---------------------|--------------------|
| Colour | Anodized Aluminium |
| Net weight (kg) | 2.5 |
| Package volume (m3) | 0.04 |
| IP | 20 |
| H2O stop | No |

Download

[Mounting instructions](#) PDF

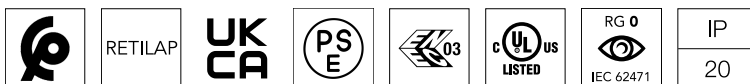
Photometric Files

[LDT / IES](#) ZIP

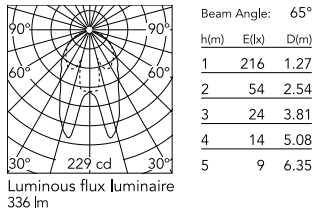
Technical Drawings

[2D](#) ZIP

[3D](#) ZIP



Schematic light drawing



Photometric

| | |
|--------------------|------------|
| Lighting type | Direct |
| Light distribution | Asymmetric |
| CCT (K) | 2700 |
| CRI> | 90 |

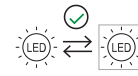
Electrical

| | |
|----------------------|------------------------|
| Insulation class | III |
| Frequency (Hz) | 50/60 |
| Main voltage (Vac) | 24 |
| LED voltage Vf (Vdc) | 24 |
| LED current (mA) | 500 |
| Driver | Remote included |
| Dimmable | Yes |
| Dimming type | Dimmer on board |
| Dimming interface | Dimmer Integrated |
| Plug type | Type G, Type A, Type C |

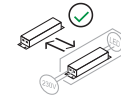
Ecodesign and Energy

Labelling

This product contains a light source of energy efficiency class F



Replaceable (LED only) light source by an end-user



Replaceable control gear by an end-user