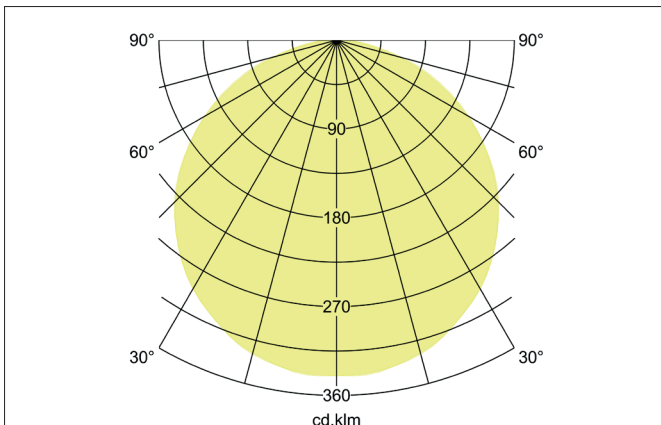
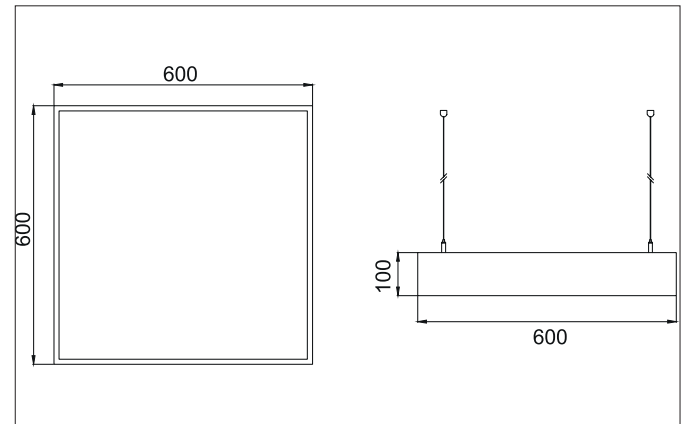
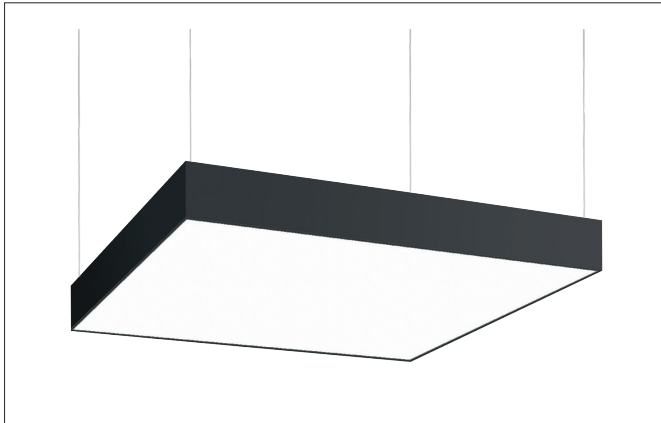


**BIRO SQUARE LED pendant surface luminaire, on/off switchable**

Article no. 13720183

Light.  
For Generations.**Tender**

LED pendant surface luminaire, on/off switchable, Square. Luminaire length 600.0 mm, Luminaire width 600.0 mm, Height 100.0 mm, for pendulum mounting. Pendulum length max. 5000.0 mm Weight 4.5 kg, with rotationssymmetrical, deep, wide distributed light intensity. optimal light distribution due to a plastic, opal cover. Luminous flux 5.284 lm, Power 1 x 44 W, Light colour warm white, Correlated color temperature (CCT) 3.000 K, Colour rendering index CRI > 80, Housing material: Aluminium / Steel / Plastic, Colour: Black structure, Permissible ambient temperature (ta): -20 °C - +25 °C, Protection class (EN 61140): I, Degree of protection (DIN EN 60529): IP40, .With electronic driver, on/off switchable.

| Article data      |   |
|-------------------|---|
| Article no.       | 13720183  |
| GTIN              | 4251433943723   |
| Series name       | BIRO SQUARE   |
| Short description | LED pendant surface luminaire, on/off switchable          |
| Material          | Aluminium / Steel / Plastic                               |
| Colour            | Black   |
| Type of surface   | Structure   |
| Shape             | Square  |
| Length            | 600 mm  |
| Width             | 600 mm  |
| Height            | 100 mm  |
| Scope of delivery | Incl. converter for connection to the 230-V mains voltage |
| Weight            | 4.500 kg  |

**BIRO SQUARE LED pendant surface luminaire, on/off switchable**

Article no. 13720183

Light.  
For Generations.

| Lighting technology          |           |
|------------------------------|-----------|
| Colour temperature           | 3.000 K   |
| Light colour                 | White     |
| Light output                 | Direct    |
| Luminous flux                | 5,284 lm  |
| System efficiency            | 120 lm/W  |
| Colour rendering             | CRI > 80  |
| Reflector                    | Without   |
| Beam angle                   | 114°      |
| Light sharing                | Symmetric |
| Adjustable color temperature | No        |

| Operating technology of the luminaire |  |
|---------------------------------------|--|
| System output                         | 44 W   |
| Voltage type                          | AC   |
| AC nominal voltage max                | 230 V  |
| Frequenz max.                         | 50 Hz  |
| Lamp                                  | LED  |
| Lamp holder                           | Without fitting  |
| Protection class                      | I  |
| Degree of protection                  | IP40   |
| Control                               | on/off   |
| Bulb change possible                  | The light source of this luminaire may only be replaced by the manufacturer or a service technician commissioned by him or a similarly qualified person. |

| Mounting technology   |                 |
|-----------------------|-----------------|
| Mounting method       | Suspended       |
| Place of installation | Ceiling-mounted |
| Adjustability         | Not adjustable  |
| stamp                 | UKCA            |
| Pendulum length max.  | 5,000 mm        |
| Material cover        | Plastic, opal   |

| Packing data            |   |
|-------------------------|---|
| Gross weight            | 5.2 kg  |
| Length of packaging     | 630 mm  |
| Packaging width         | 630 mm  |
| Packaging height        | 110 mm  |
| Disposal at end of life | This product must not be disposed of with household waste. You are obliged, to dispose of such electrical waste separately.<br>By disposing of electrical waste and other old or defective electronics separately, you support recycling or other forms of re-use. In that way you help to take care and to avoid that harmful substances get into the environment. |