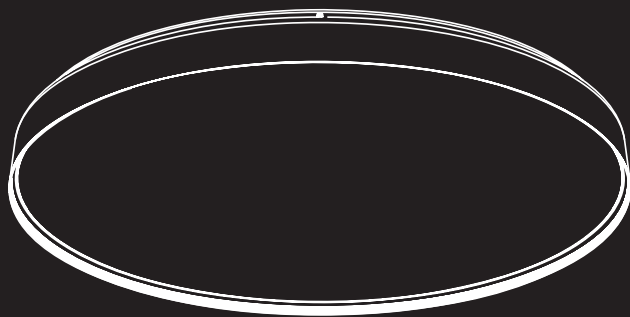


COMPENDIUM PLATE

design Daniel Rybakken

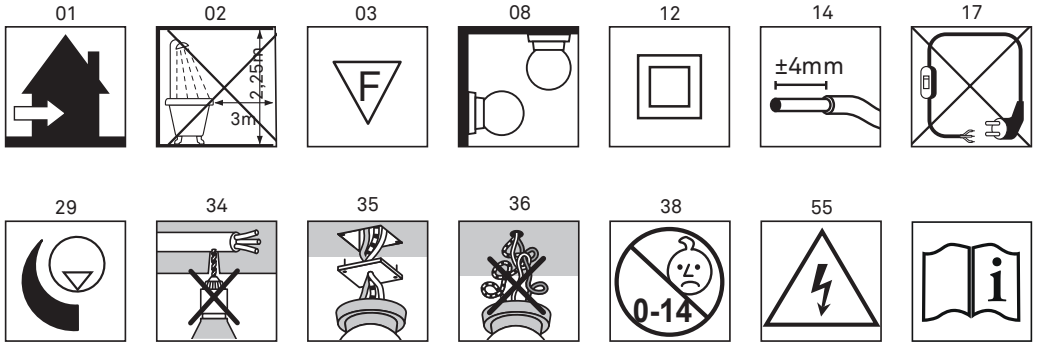


**LUCE
PLAN**

D81P



D81P



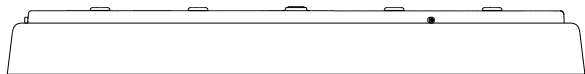
D81P



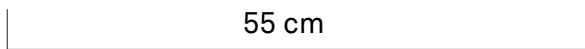
a



b

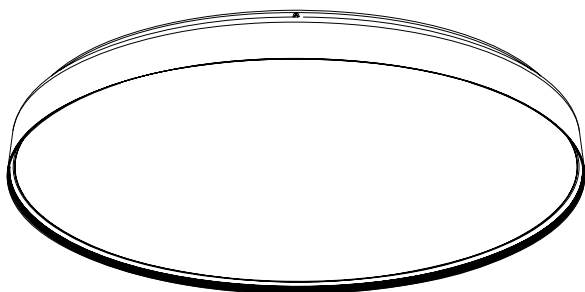


7 cm
2.7"

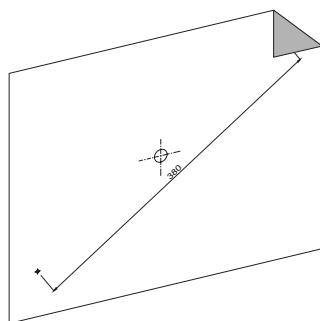


55 cm

22"



x1

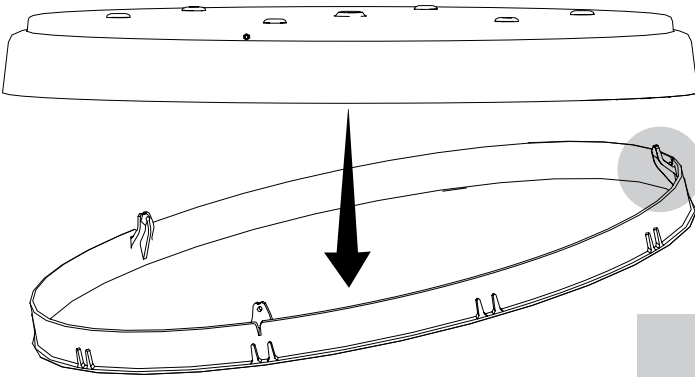
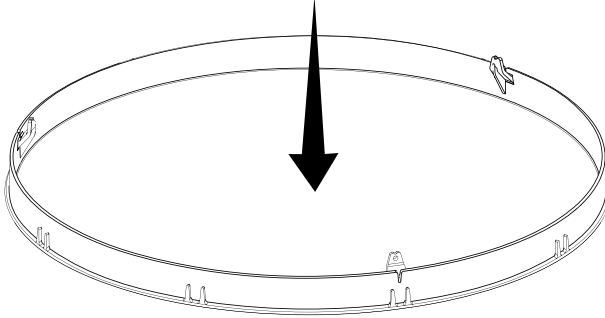
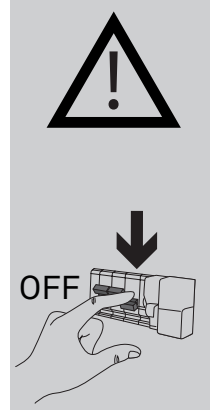
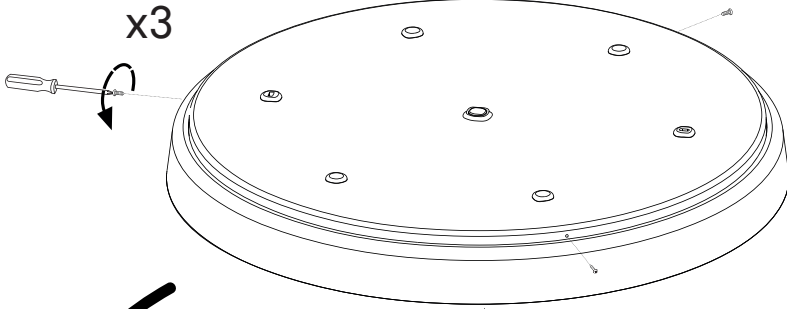


x1

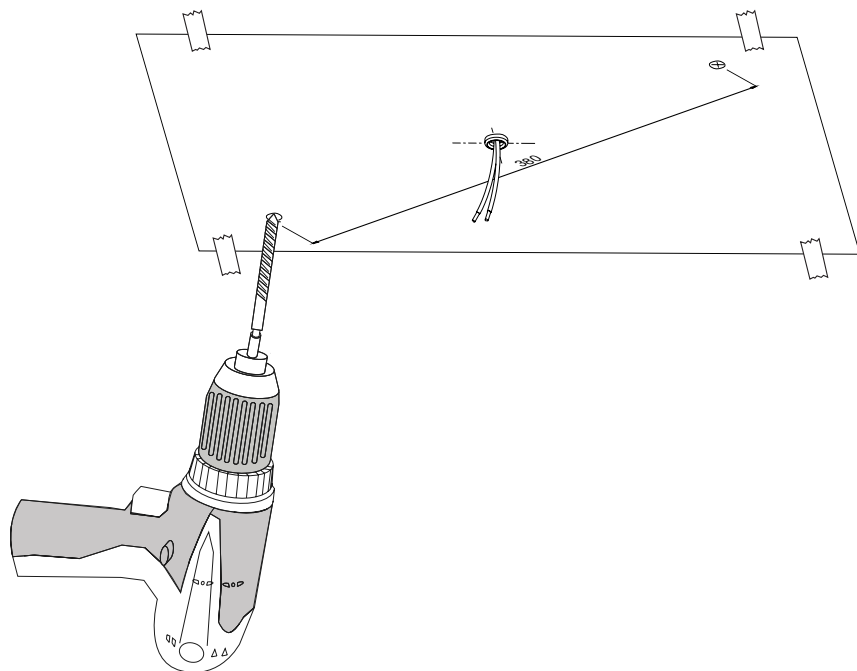
kg 4 kg

lb 8.8 lb

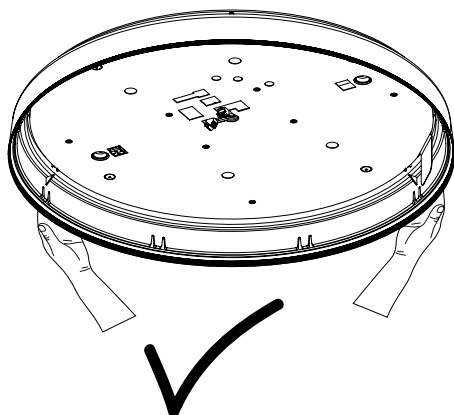
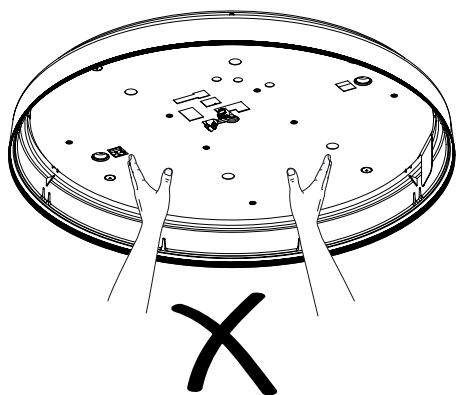
1



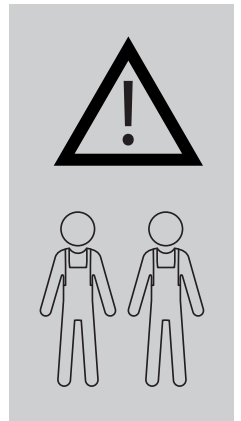
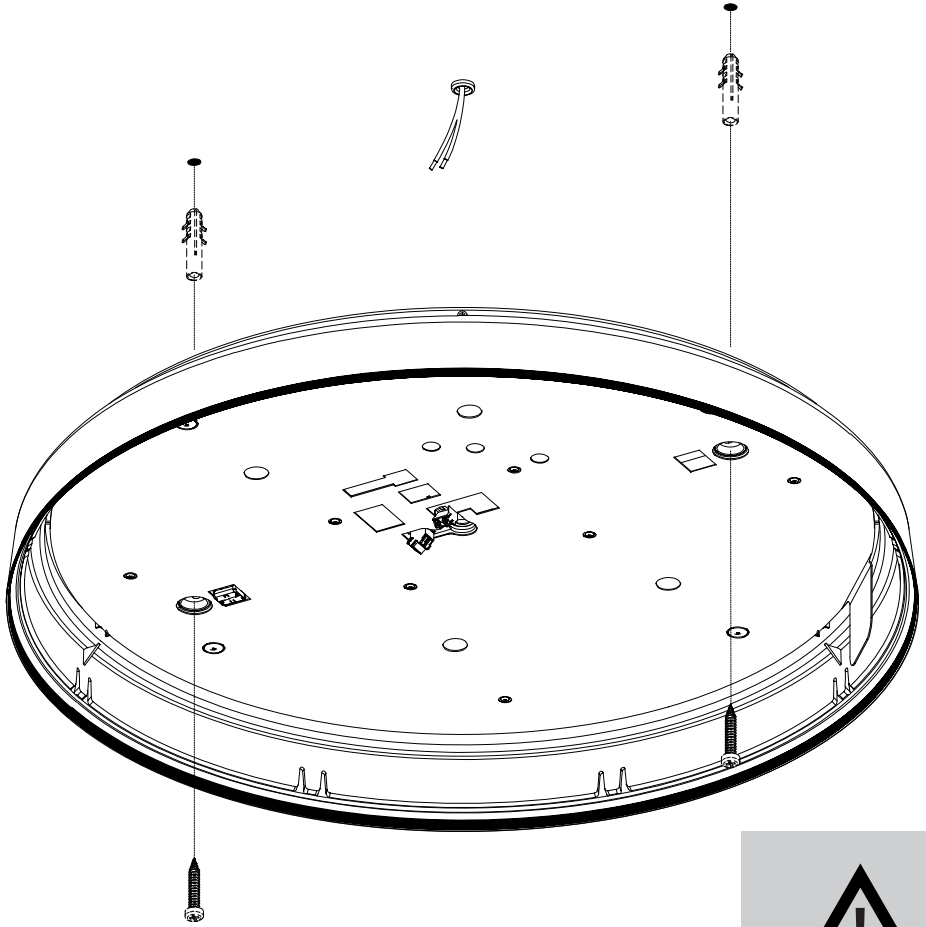
1.1



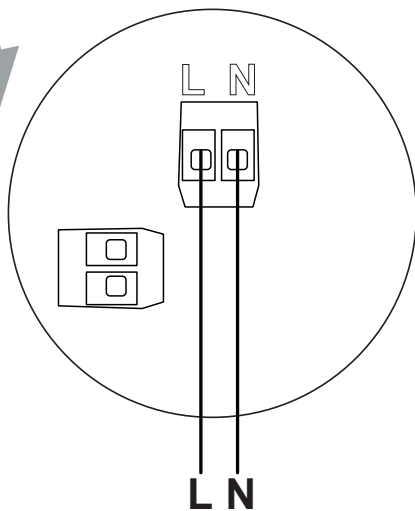
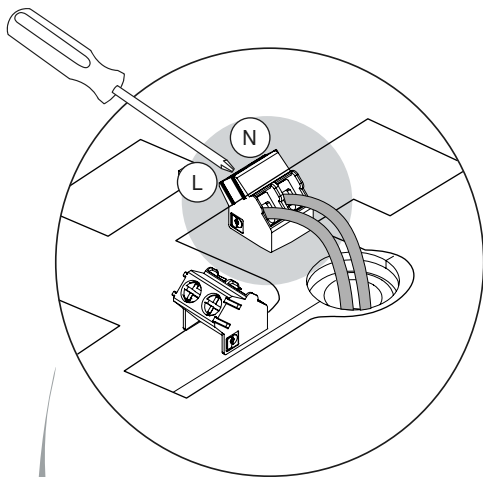
1.2



1.2



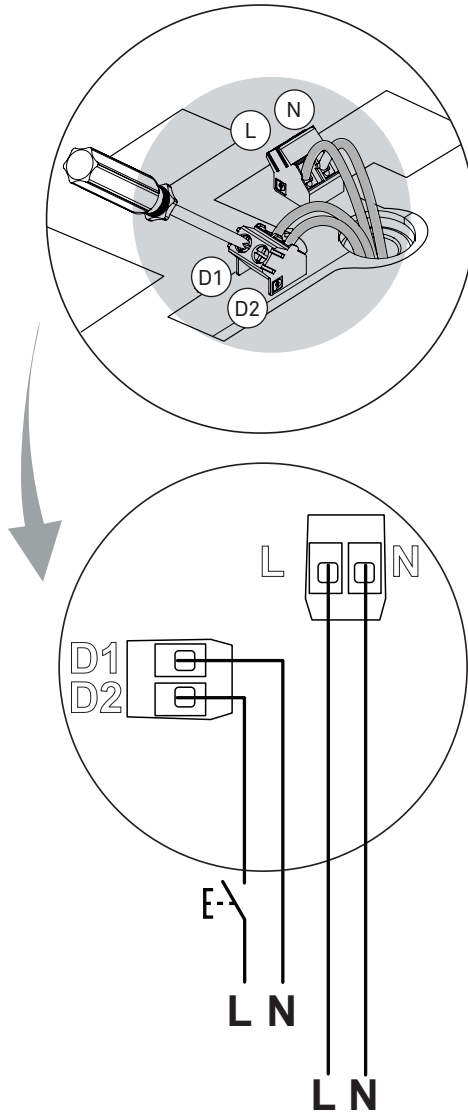
1.3



TRAILING EDGE



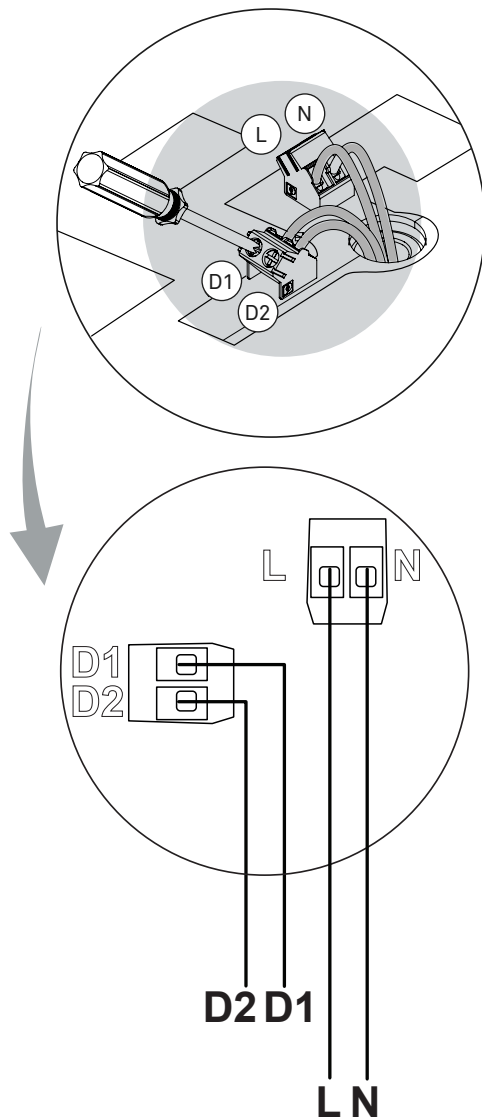
1.3



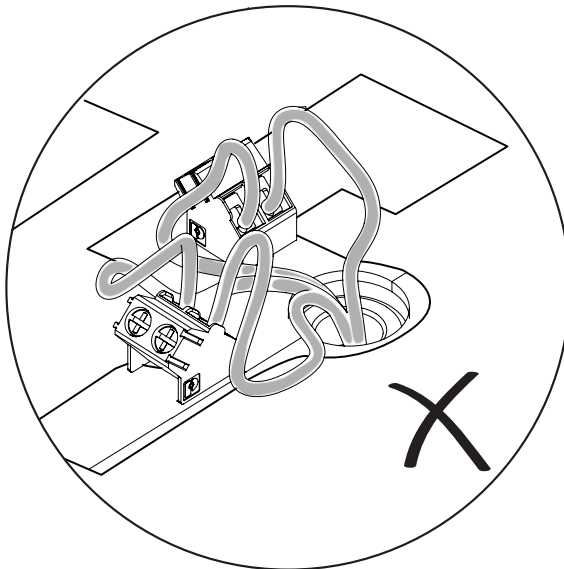
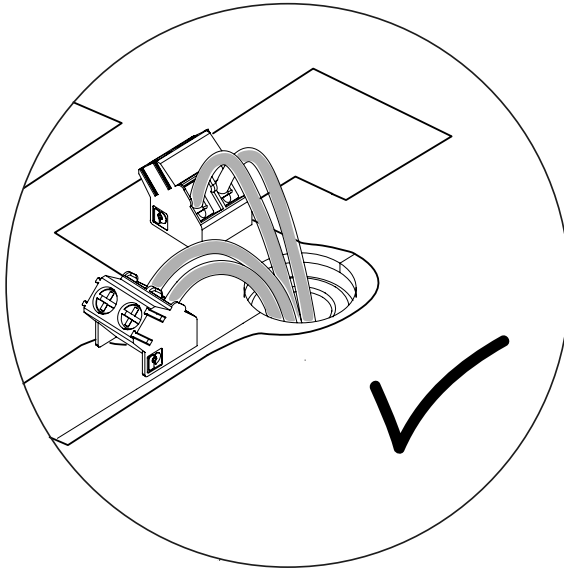
PUSH DIM



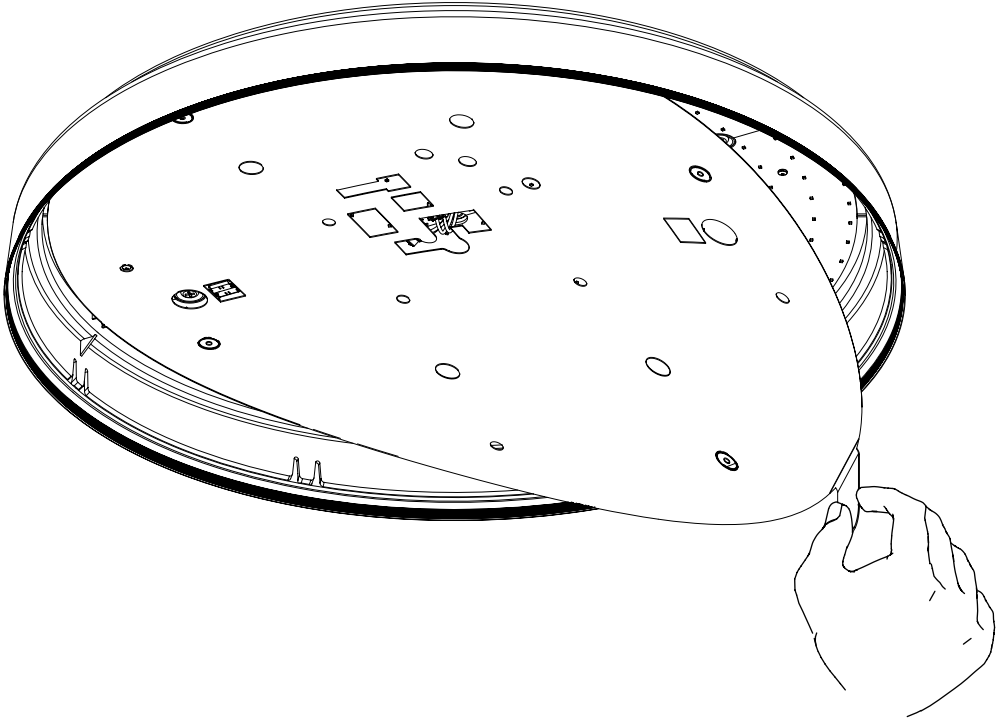
1.3



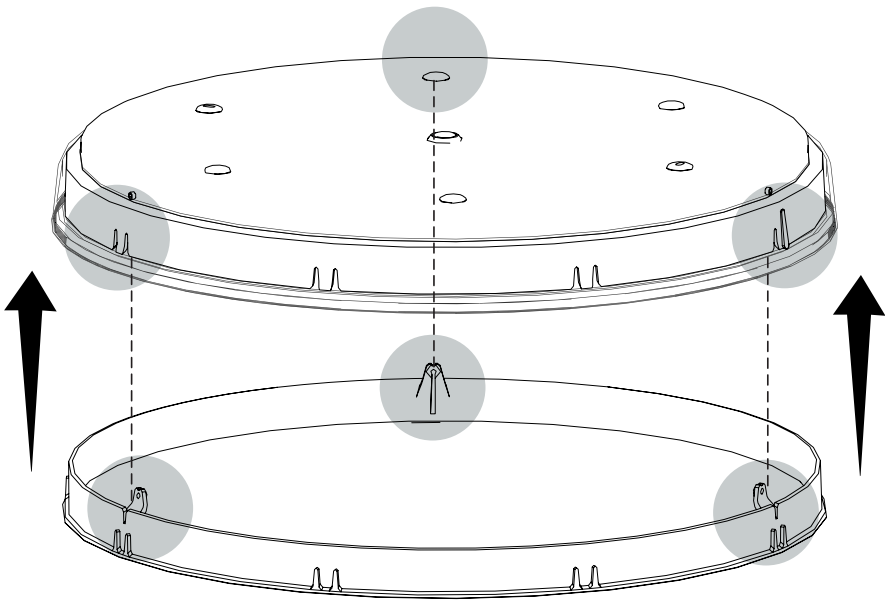
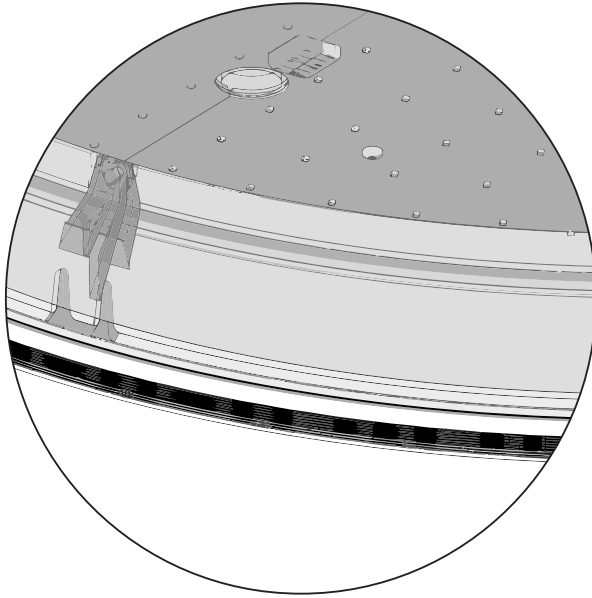
1.4



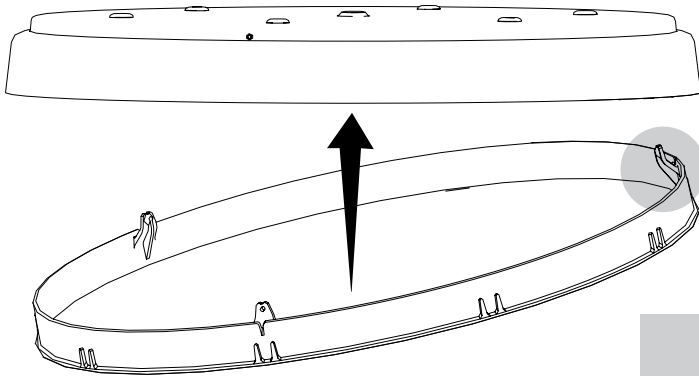
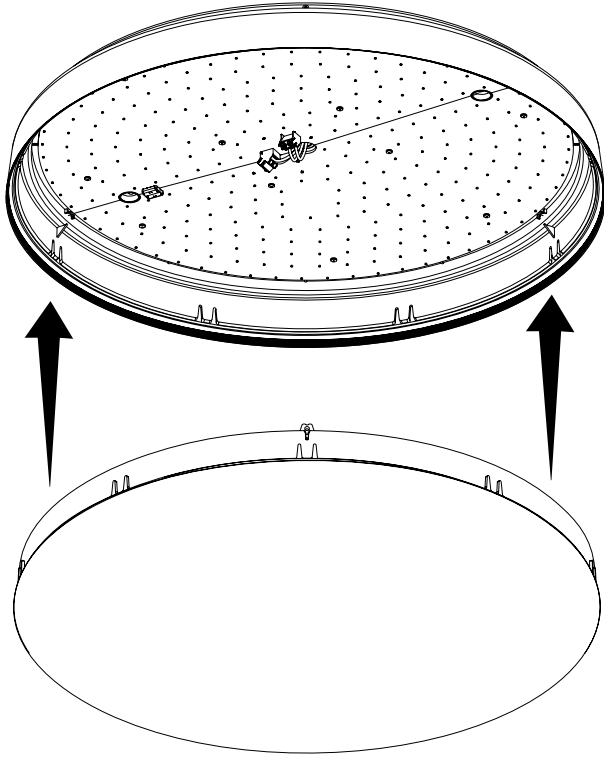
1.5



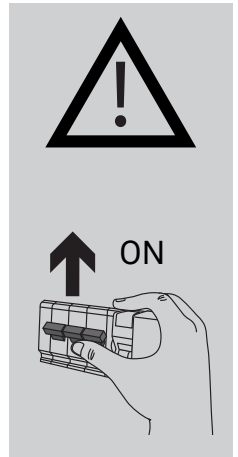
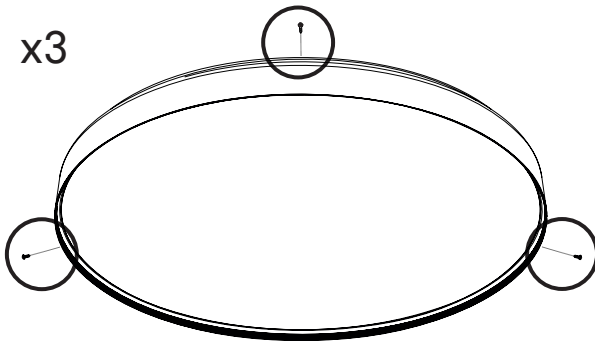
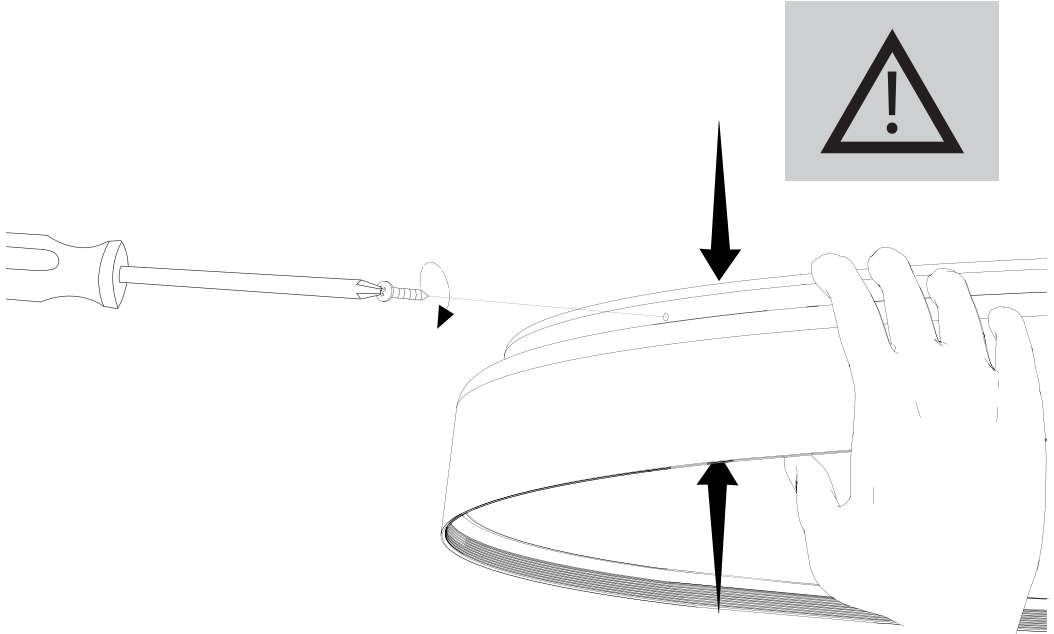
1.6



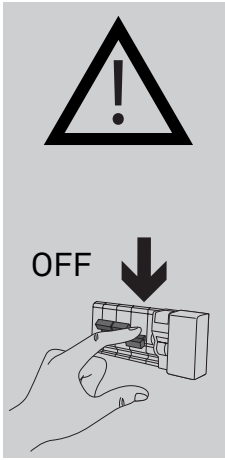
1.7



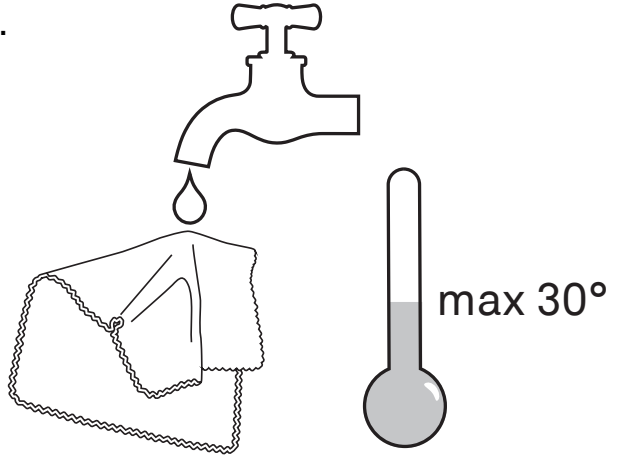
1.8



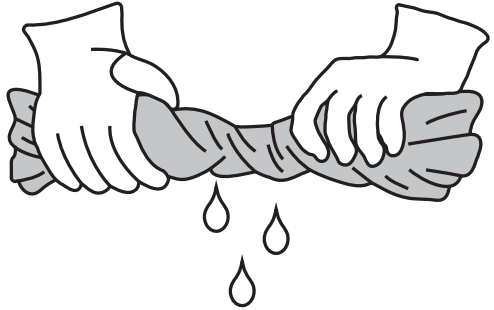
2



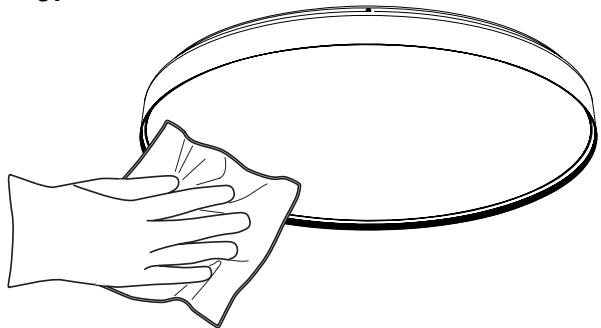
1.



2.



3.





www.luceplan.com

D8101C003