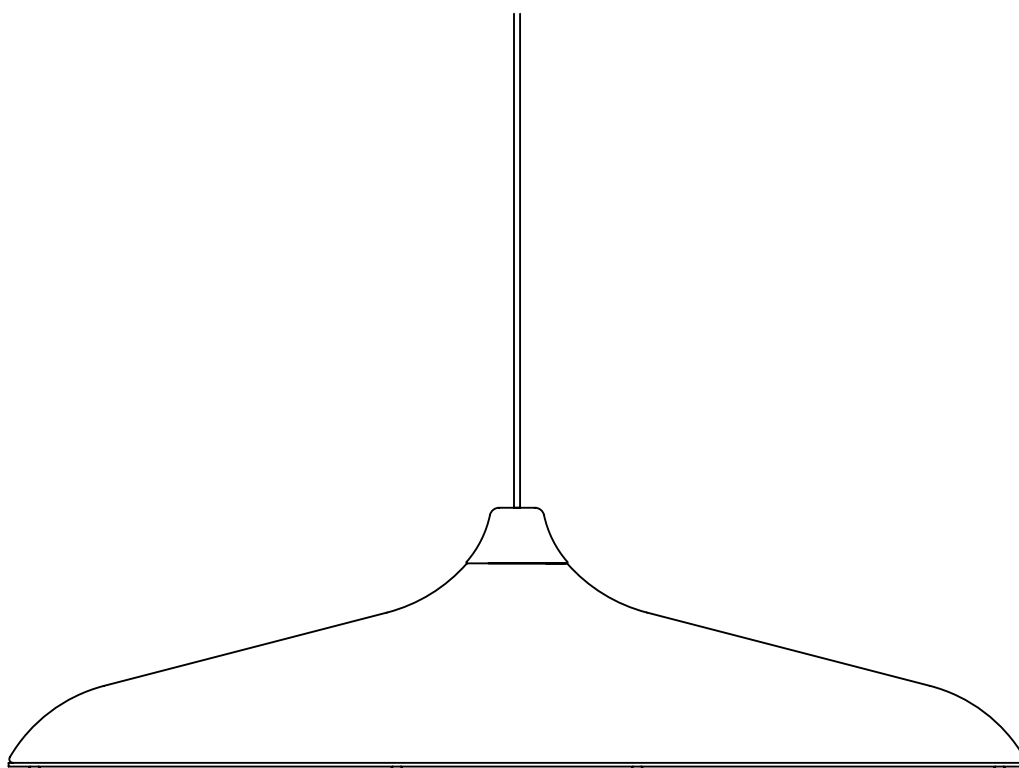


Circular by Studio WM



MENU

Congratulations:

Congratulations on your new lamp designed by Studio WM. We hope you will enjoy using this lamp and follow these instructions to ensure correct installation. These instructions are provided for your safety. It is important that the instructions are read carefully and completely before assembling.

Circular

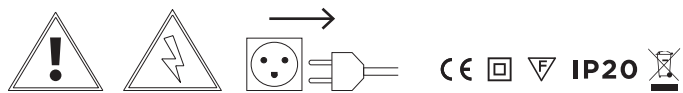
800 lm nominal
Colour temperature: 2700-4000K
Light Source: LED
Wattage: 12 watt
Voltage: 230 volt
Ra > 90

MENU Lighting Control App
Customized Smart LED driver based on type GT8437-1, E3 Control compatible, 84 x 31 mm
MENU Control Apps for iOS and Android (To be downloaded)
Remote panel RP02 (optional accessory)
Canopy

Please check the specific rules for electrical installation work in your country.
Some countries may require an authorised electrical contractor.

IMPORTANT

If you have any problems regarding the electrical installation, contact a certified electrician. Always shut off power to the circuit before starting installation work. The external flexible cable or cord of this luminaire cannot be replaced. If the cord is damaged, the luminaire shall be destroyed.



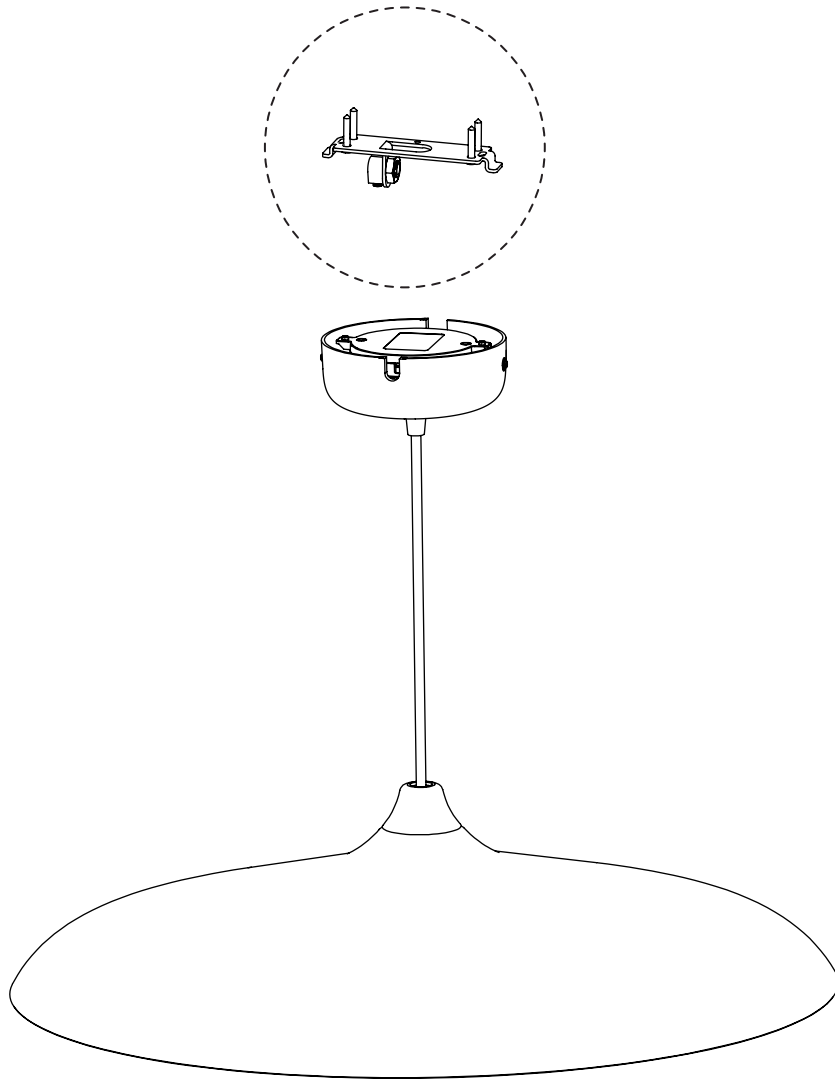


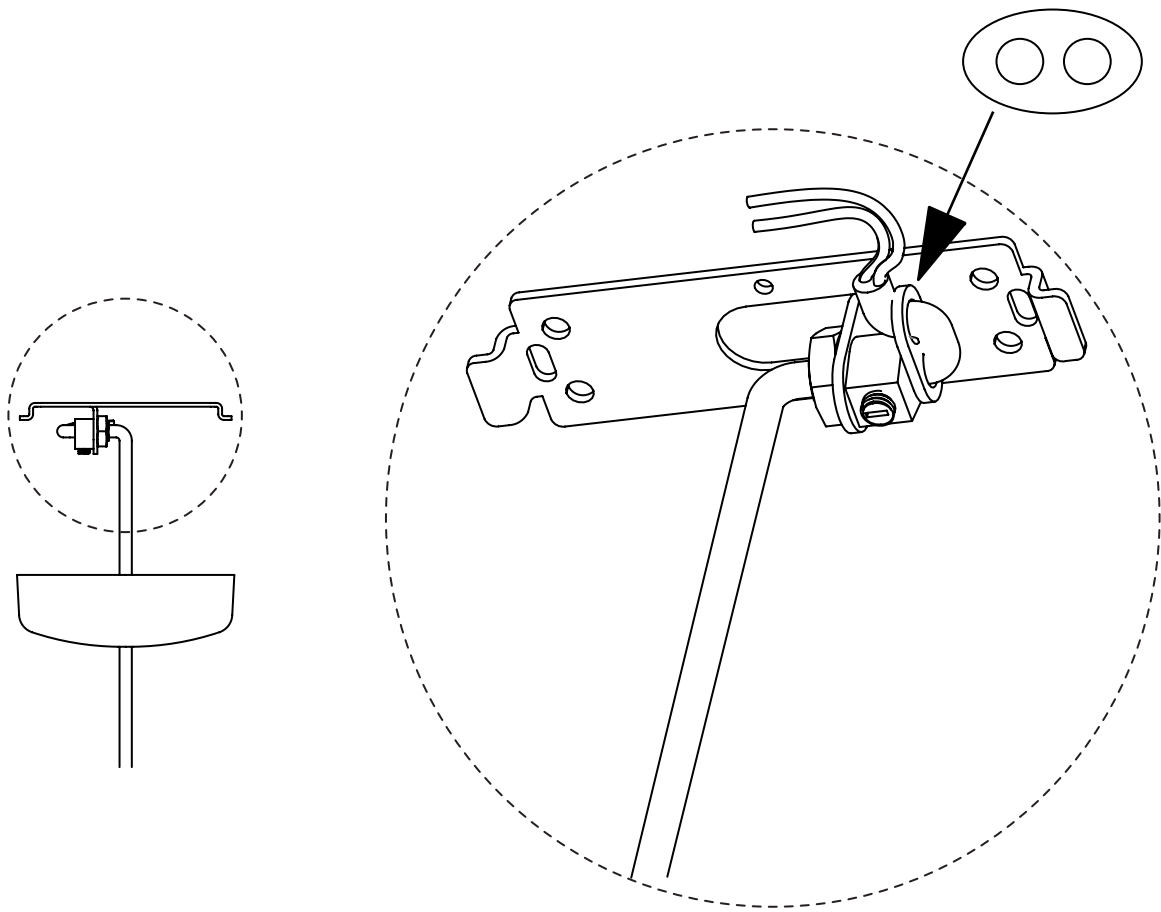
Correct Disposal of this product

This marking indicates that this product should not be disposed with other household wastes throughout the EU. To prevent possible harm to the environment or human health from uncontrolled waste disposal, recycle it responsibly to promote the sustainable reuse of material resources. To return your device, please use the return and collection system or contact the retailer where the product was purchased. They can take this product to environmentally safe recycling.

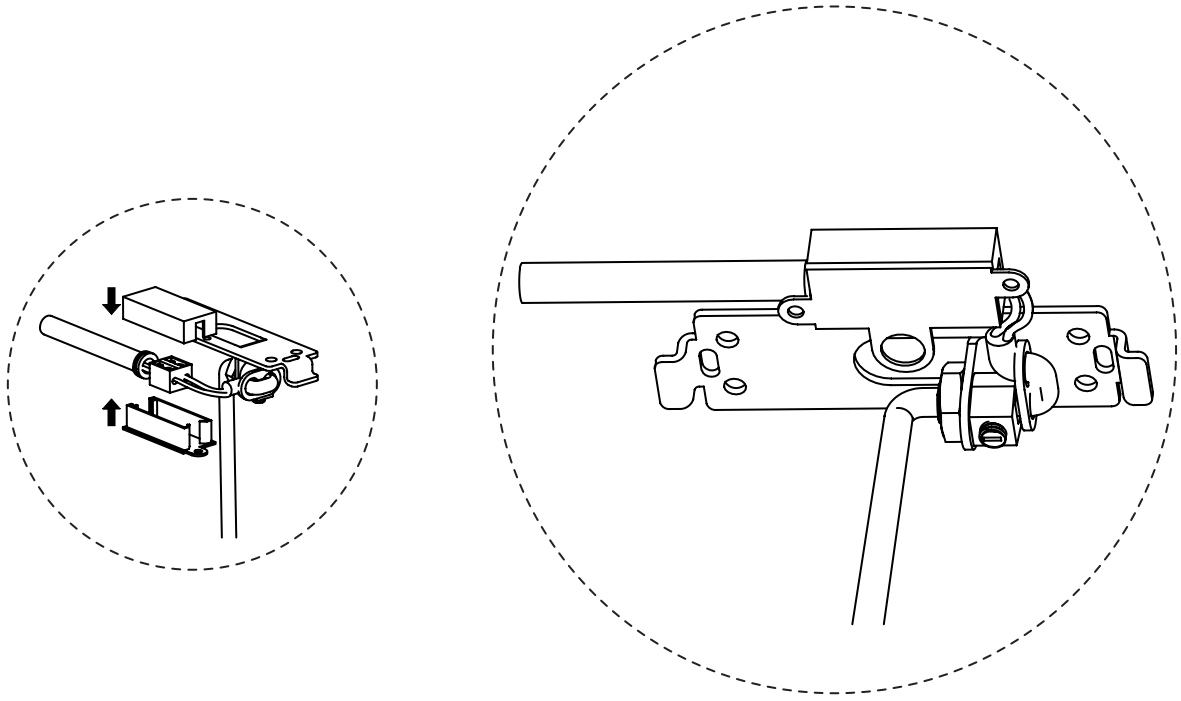
Circular

1

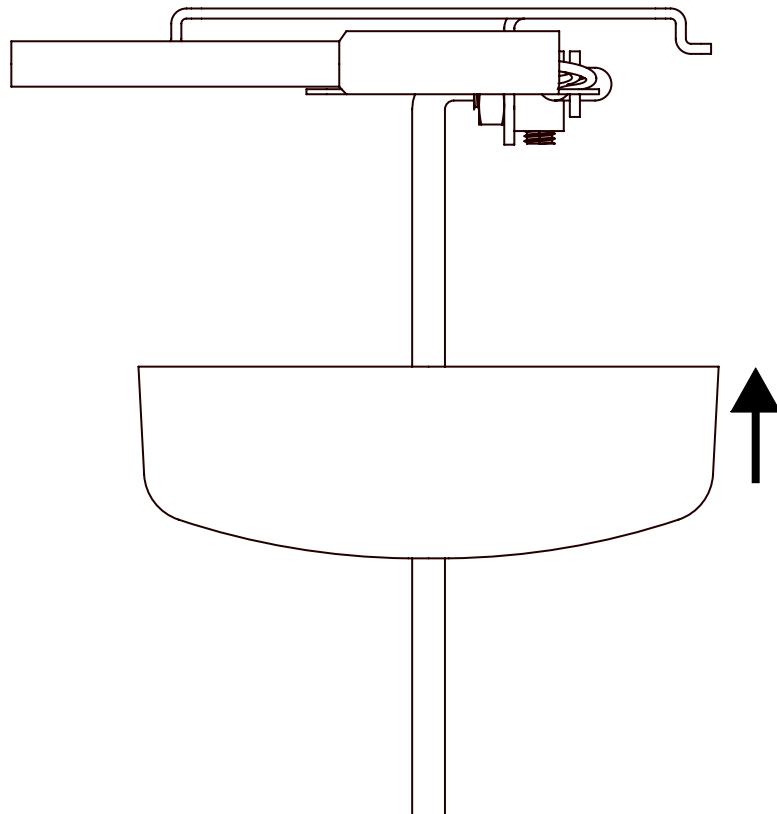




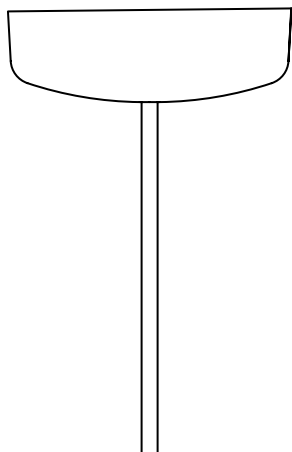
3



4



5



6

