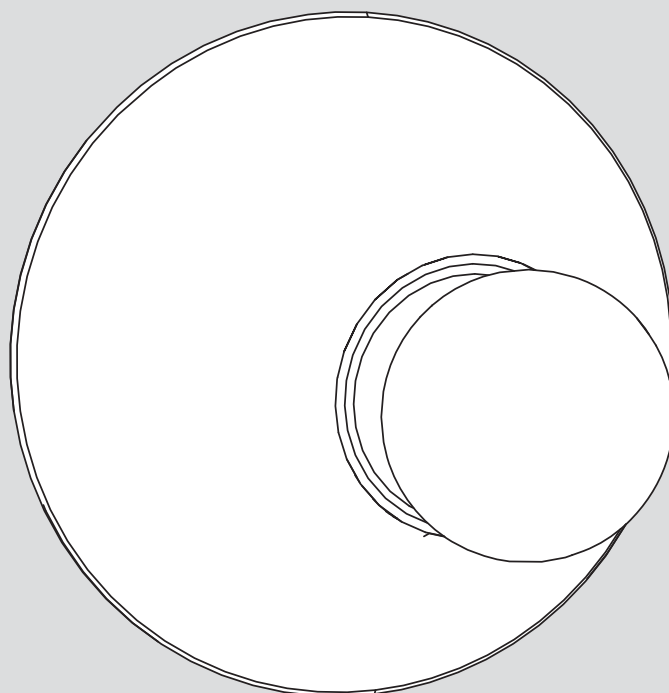


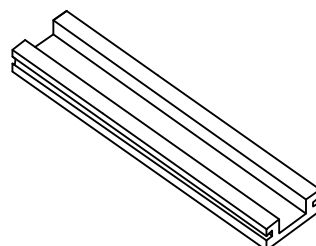
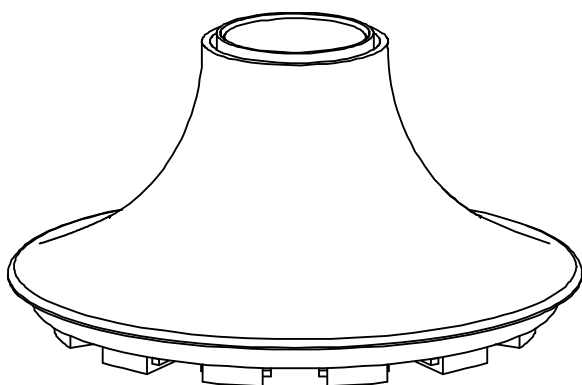
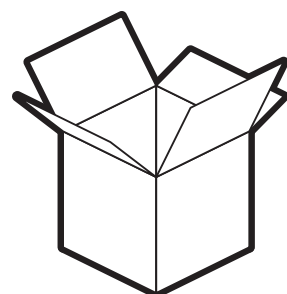
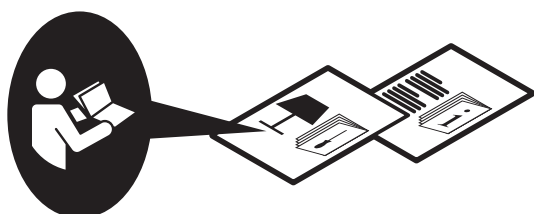
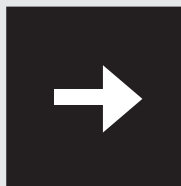
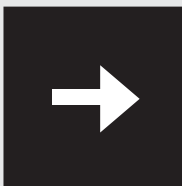
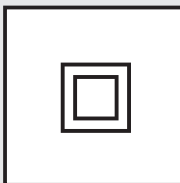
Teti

design
Vico Magistretti

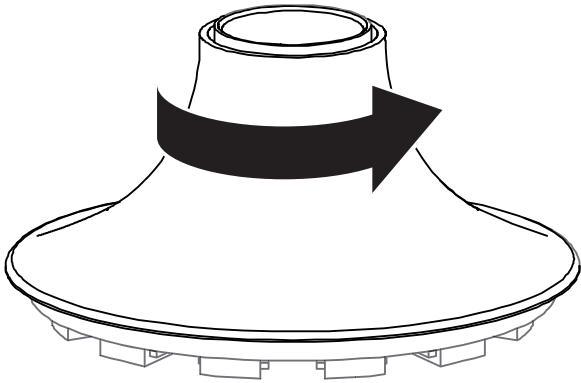




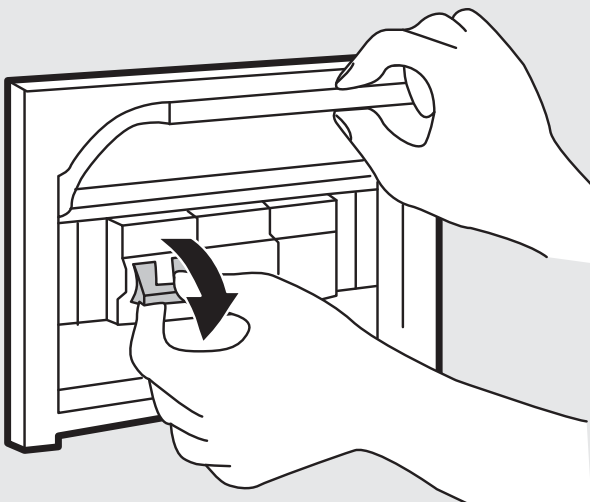
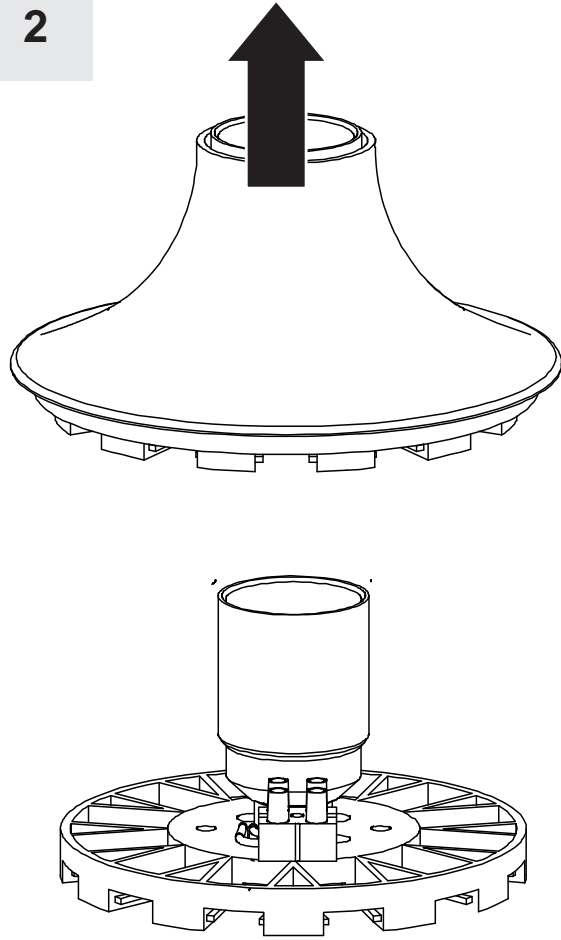
i



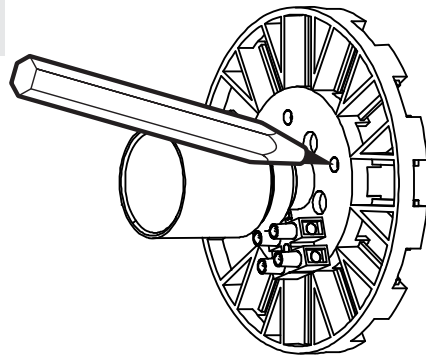
1



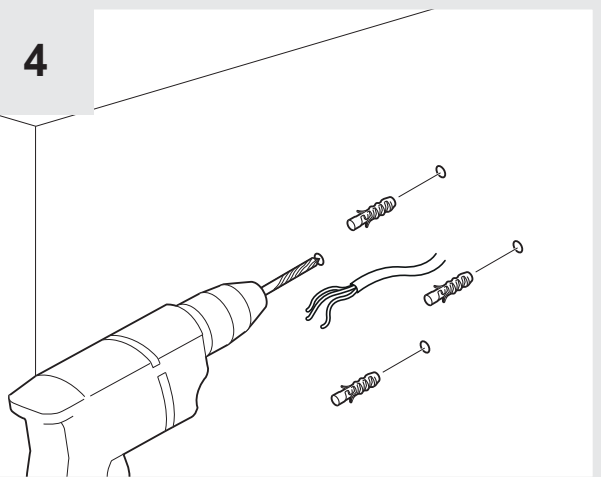
2



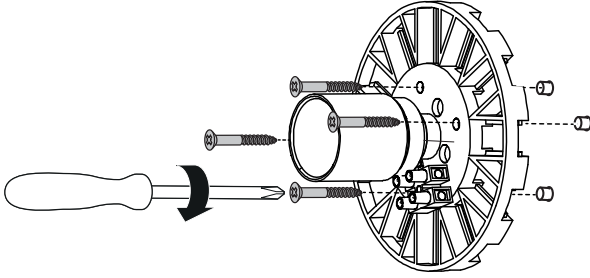
3



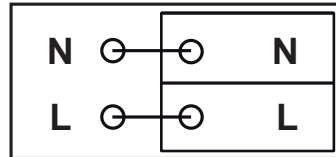
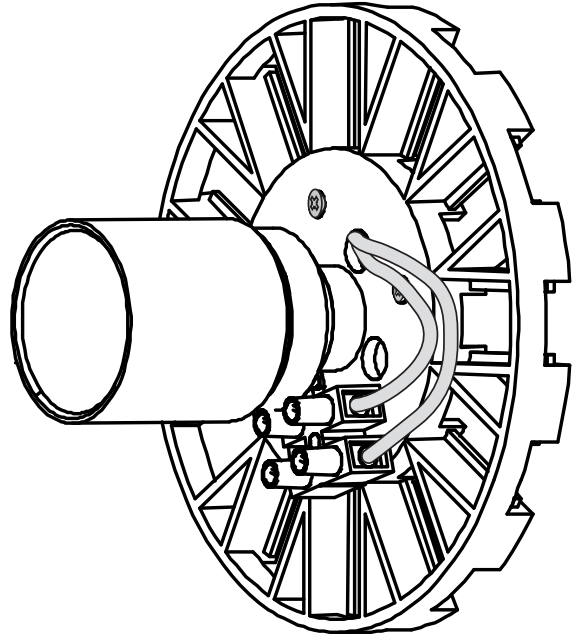
4



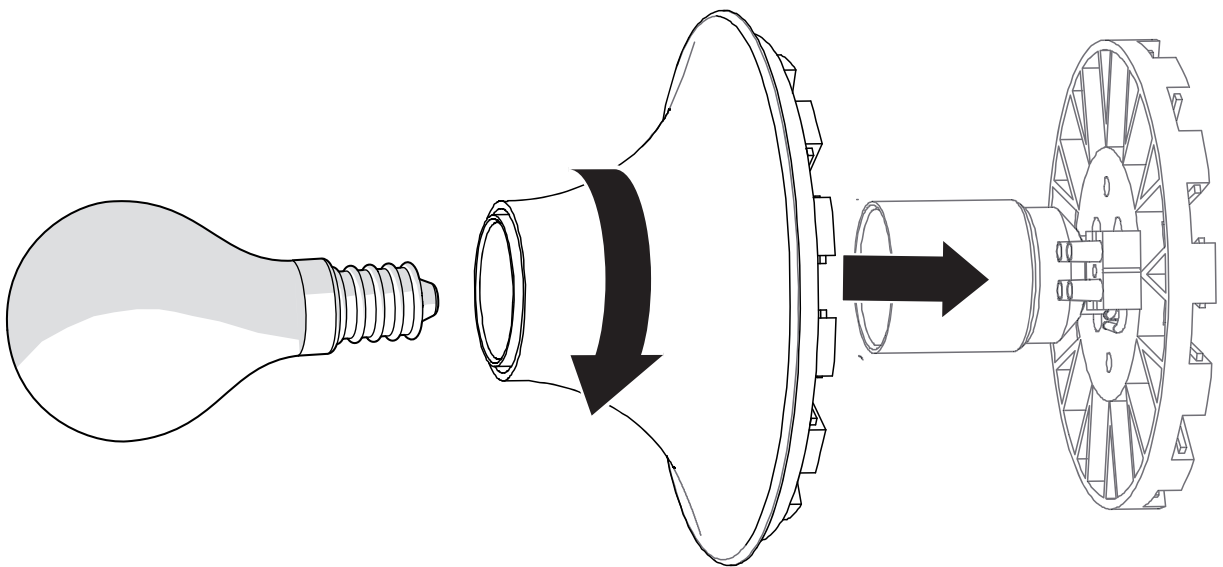
5



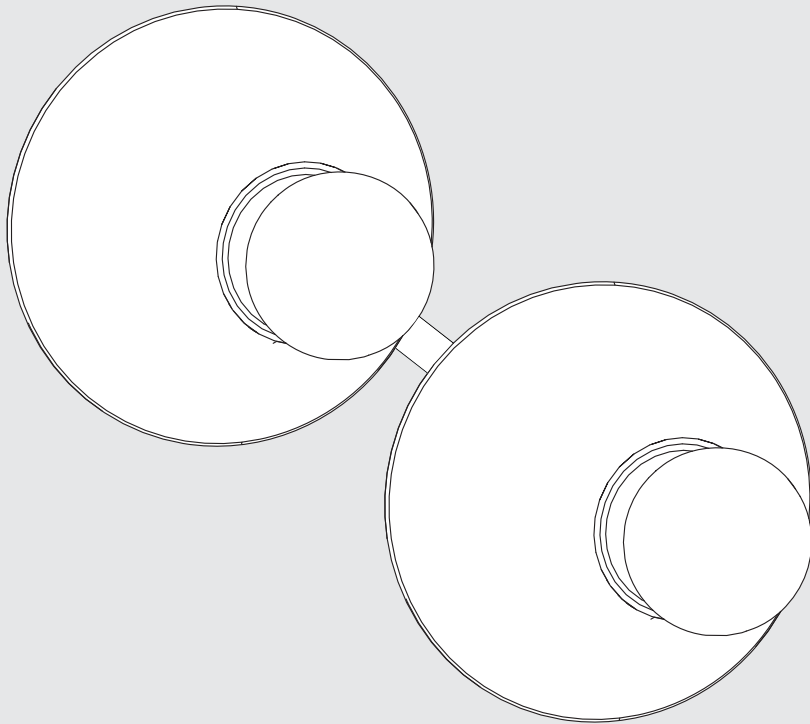
6



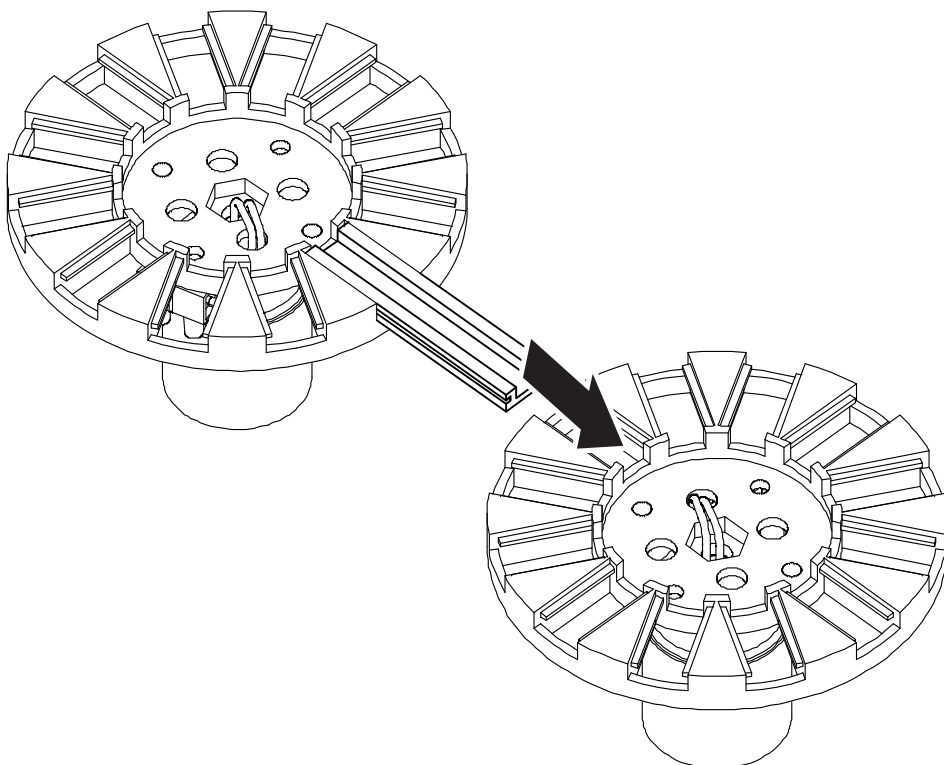
7



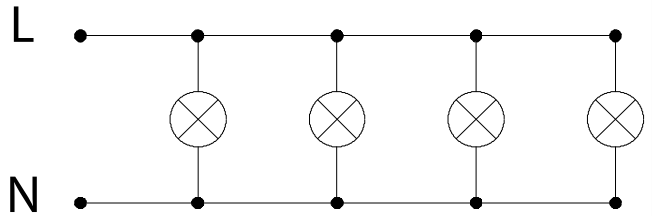
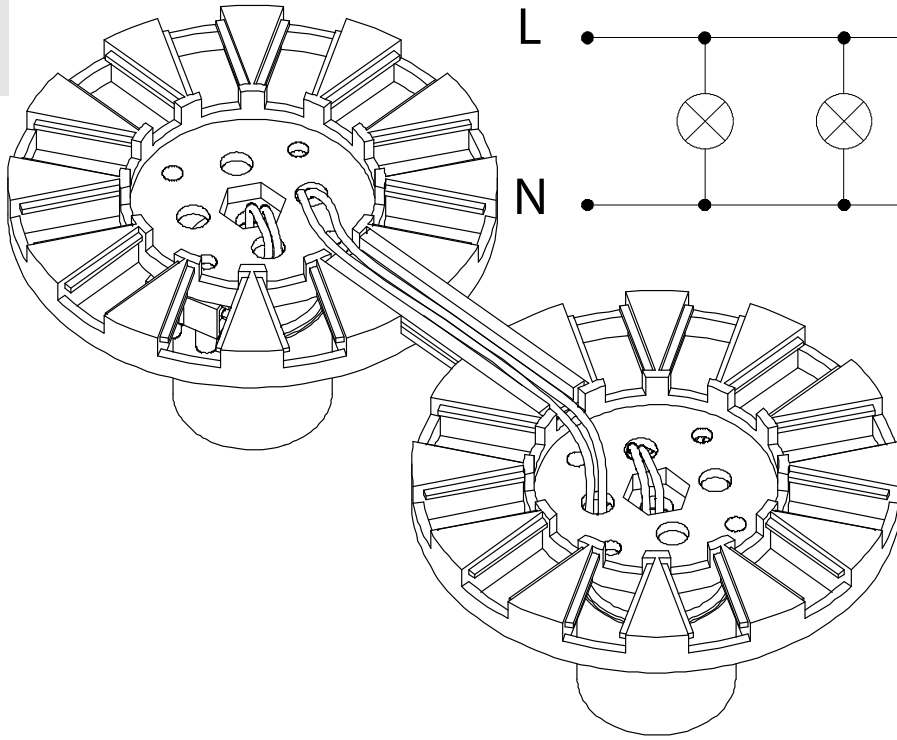
i



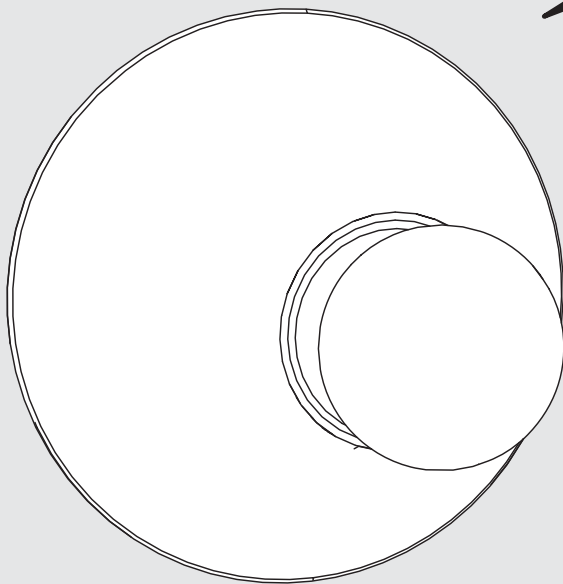
8



9



i

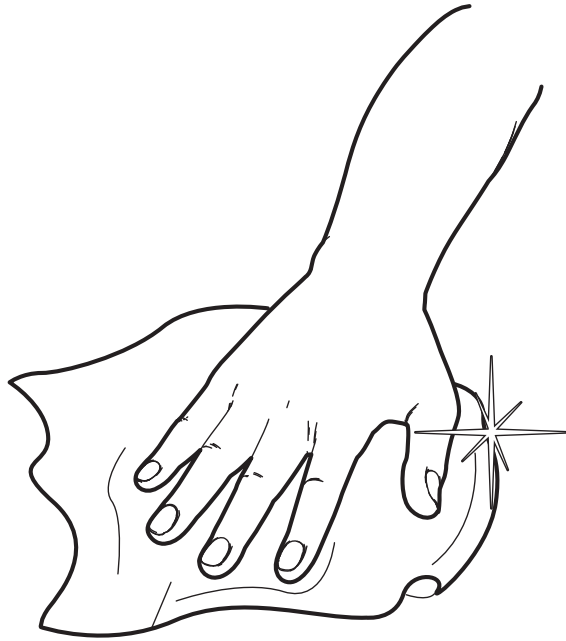
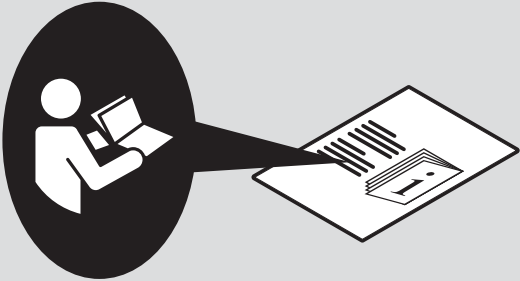


MAX 30W - E27

Halo: HSGSA - 400 lm

LED: DRAA - 450 lm





Artemide®



Artemide

via Bergamo, 18
20010 Pregnana M.se (MI)
ITALIA

tel. +39 02 935 181
fax +39 02 935 90 254
fax +39 02 935 90 496

www.artemide.com

VAT IT00846890150

cod. Y513000587