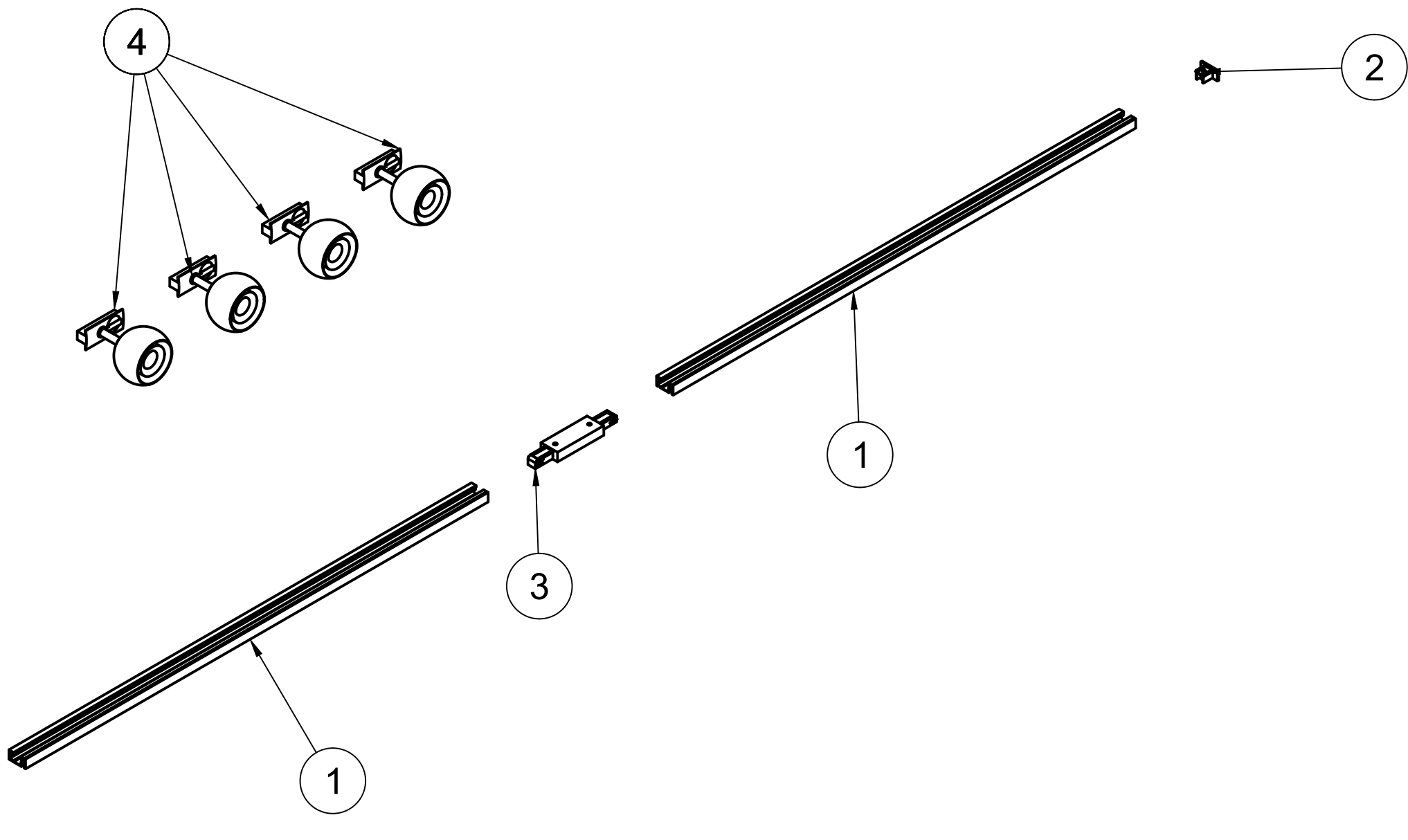
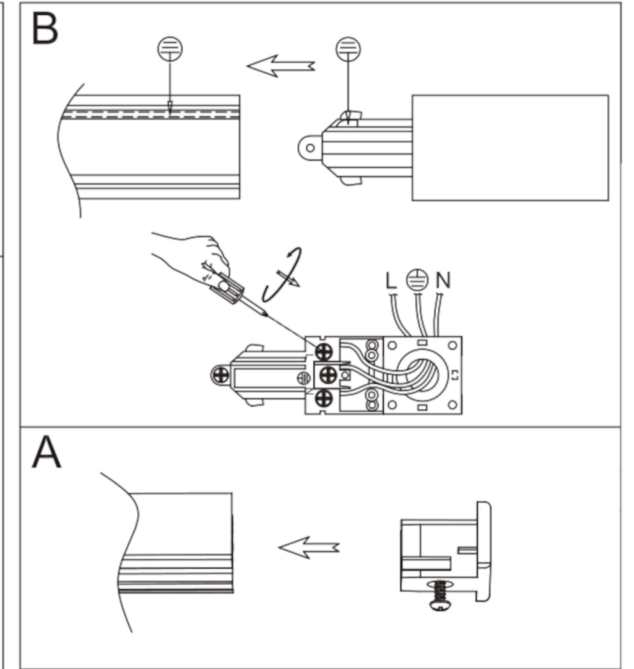
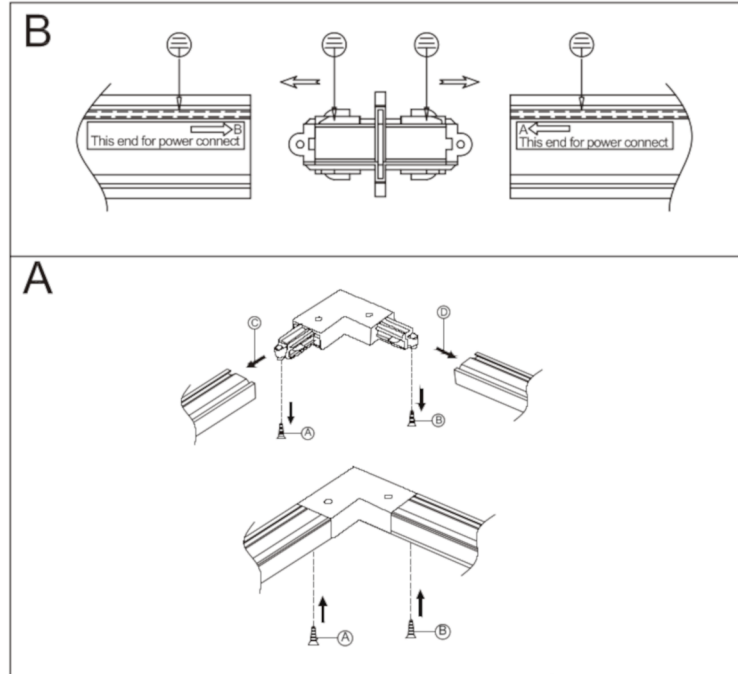
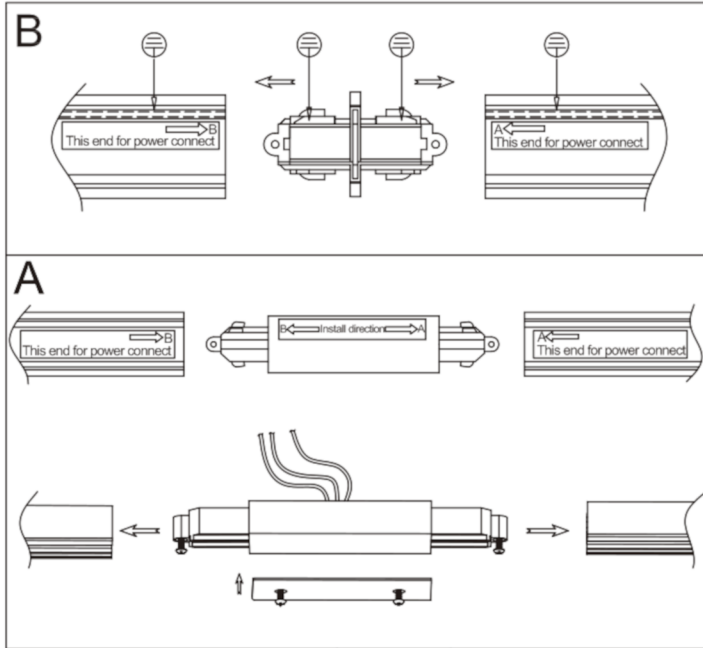
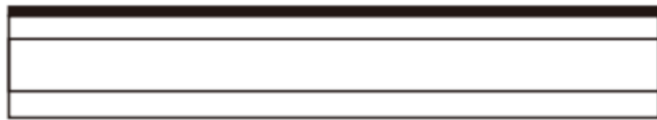
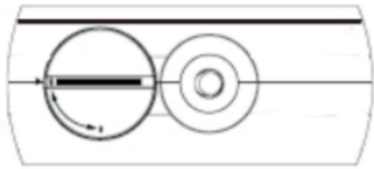


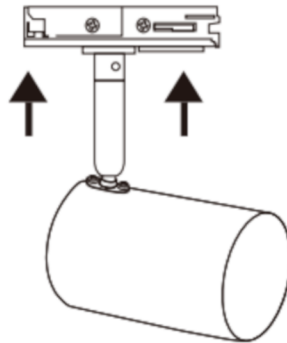
| Parts List | | | |
|------------|-----|---------------------|--------------------------|
| Item | Qty | Part Number | Description |
| 1 | 2 | 9627158 / 9627159 | Linaro 1m Track |
| 2 | 2 | 10024642 / 10024643 | Linaro End Cap |
| 3 | 1 | 9627161 / 9627162 | Linaro Middle Power Feed |
| 4 | 4 | 9627140 / 9627141 | Linaro Round GU10 Spot |







Please check the diection.
Earth connection is only given
when line on the base of the
spot is on the same side as the
line on the track



Example Spot

unlocked



Example Spot

locked

