



### Safety Instructions

1, 2, 3, 4, 5, 6, 7, 10, 12, 13, 15, 16,  
19, 20, 21, 22, 24, 28, 33, 34



Info

[www.paulmann.com](http://www.paulmann.com)

Paulmann Licht GmbH  
Quezinger Feld 2  
31832 Springe  
Germany

[www.paulmann.com](http://www.paulmann.com)

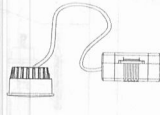
Art.-Nr.: 934.82/83  
934.84/85  
934.88/89  
934.90/86  
934.87/91  
934.92  
(+MA326) PSU 07/18



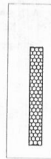
934.82/934.84



1x



1x

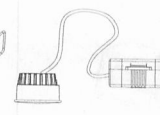


Incl.

934.83/934.85/934.88



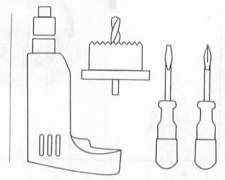
3x



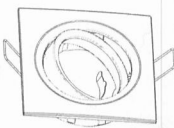
3x



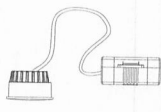
Incl.



934.89



1x

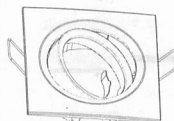


1x

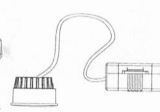


Incl.

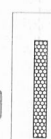
934.90



3x

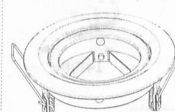


3x

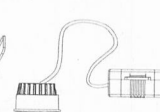


Incl.

934.86



1x

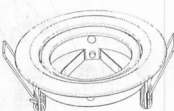


1x

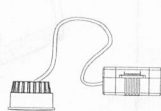


Incl.

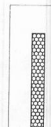
934.87



3x



3x

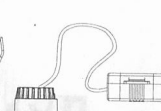


Incl.

934.91



1x

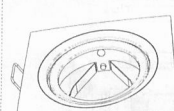


1x

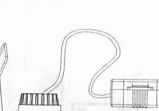


Incl.

934.92



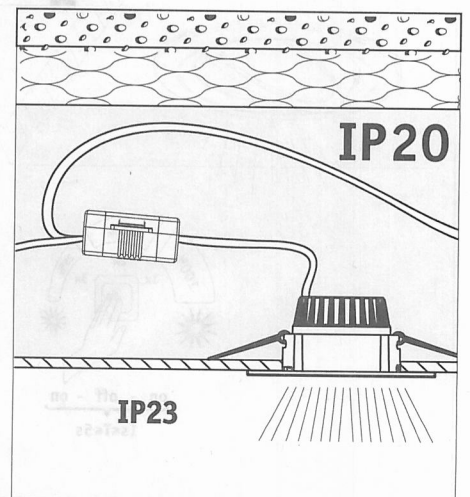
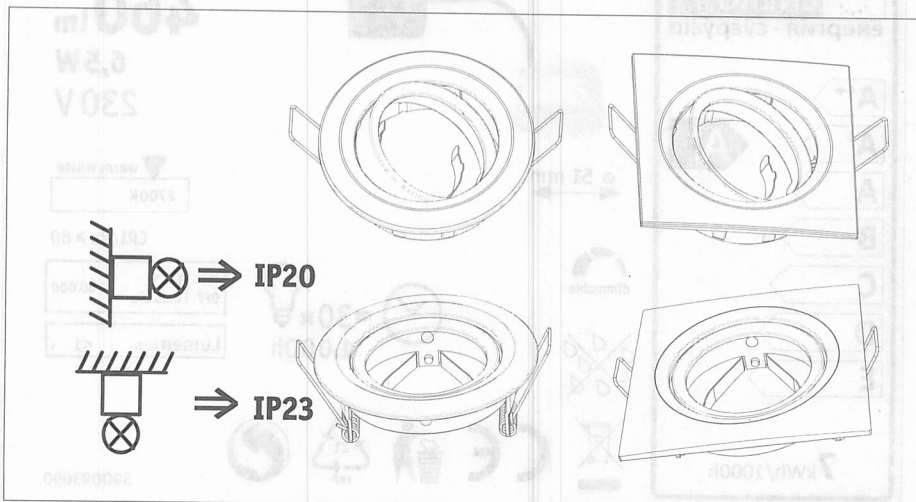
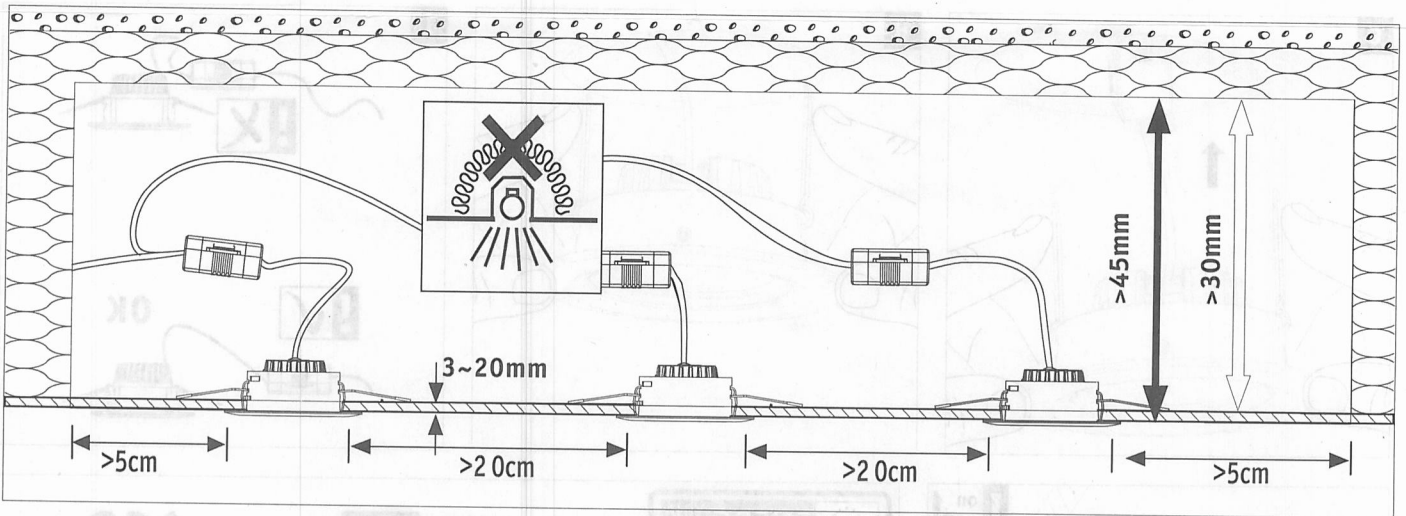
3x

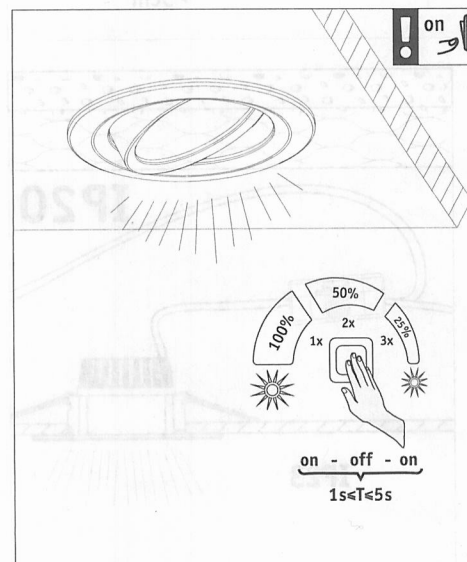
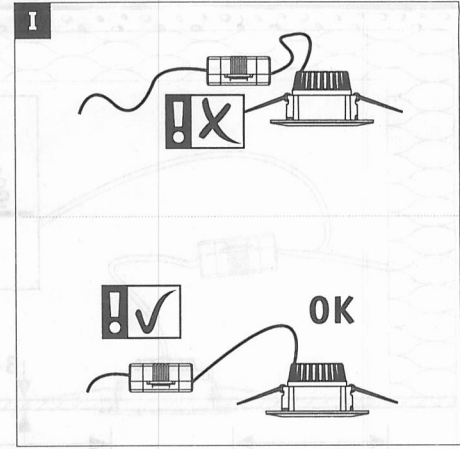
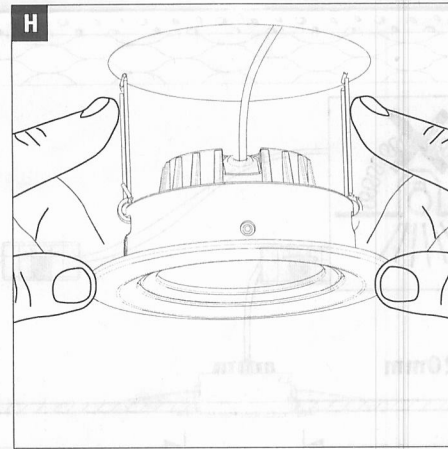
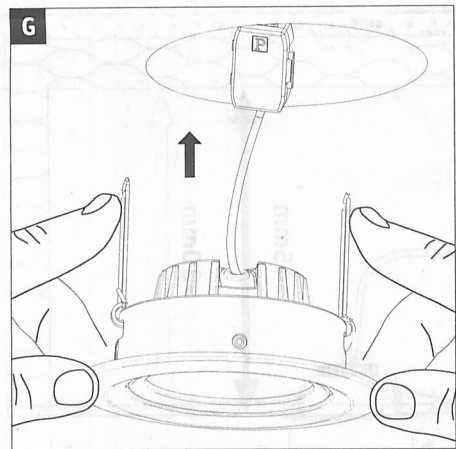
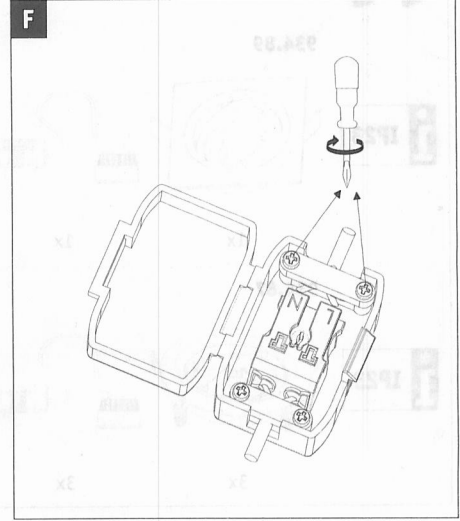
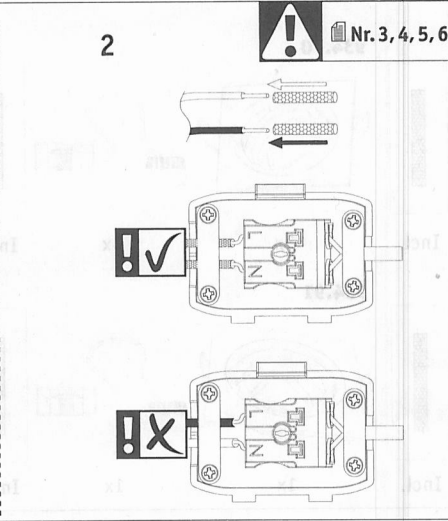
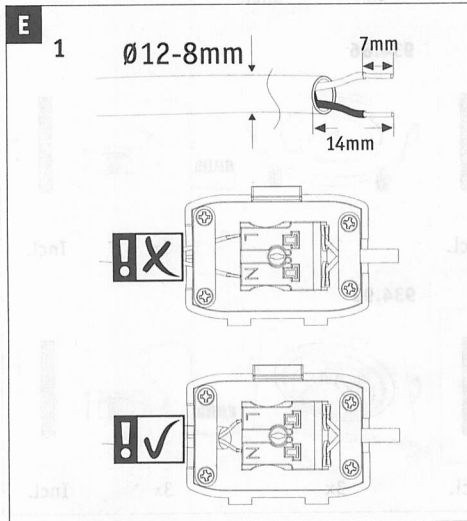
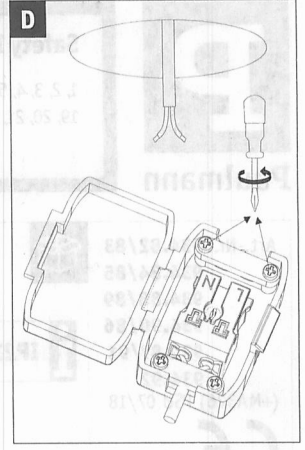
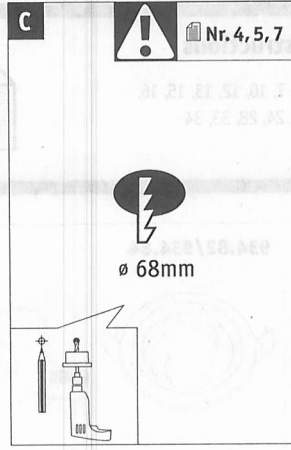
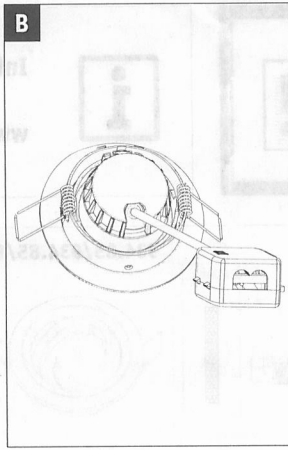
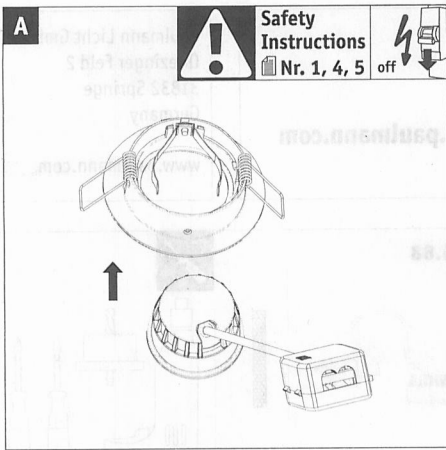


3x



Incl.





**ENERG** Y IJA IE IA  
 енергия · ενεργεια

**A++**  
**A+**  
**A**  
**B**  
**C**  
**D**  
**E**

**A+**

7 kWh/1000h



$\varnothing 51\text{ mm}$

dimmable

$\approx 30 \times$   
 1.000h

**460 lm**  
**6,5W**  
**230V**

warm white  
 2700K

CRI/Ra  $\geq 80$

ON OFF  $\geq 50.000$

Lumen 60%  $< 1\text{ s}$

CE   

390093690