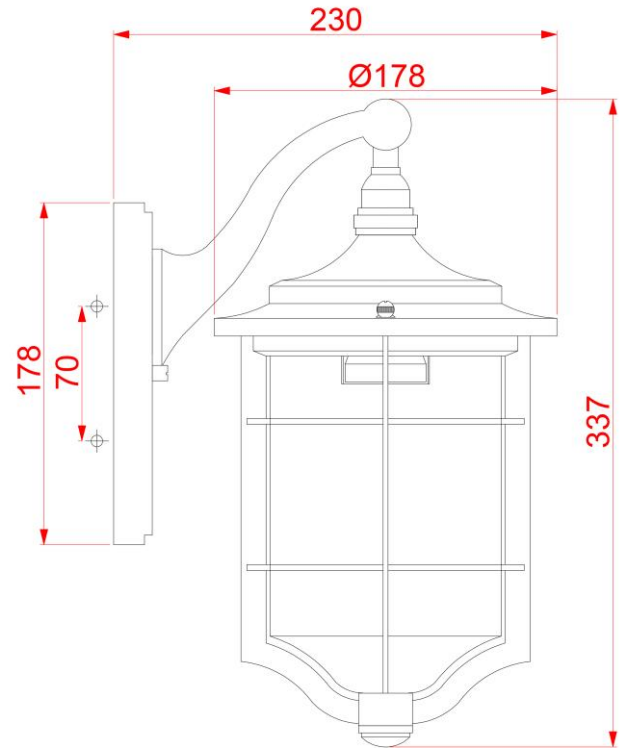


BRAND: Royal Marine

STYLE: Small Wall Lantern



1. Item Code	KL/ROYALMARIN2/S	23. Maximum Drop	-
2. Drawing No.	pd-klroyalmarin2s	24. Adjustable?	No
3. Tested?	No	25. Shade/Glass Material	Clear Seeded
4. Final Sign-off Sample Done?	Yes	26. Shade Width (mm)	120
5. Category	Outdoor	27. Shade Height (mm)	187
6. Type	Small Wall Lantern	28. Shade Depth (mm)	120
7. Finish	Distressed Black	29. Size of Back-Plate/Ceiling Rose (mm)	178 x 114
8. IP Rating	44	30. Main Material	Aluminum & Glass
9. Class	I	31. Power Cable Core and Colour	Separate Live & Neutral
10. Voltage	240	32. Power Cable Length (mm)	152 (beyond back plate)
11. Wattage (1)	1 x max 60w	33. Chain Length (mm)	-
12. Wattage (2)	-	34. Rod Length (mm)	-
13. Lamp Holder Type (1)	1 x E27	35. PIR	-
14. Lamp Holder Type (2)	-	36. Switch Type and location	-
15. No. of Lamps	1	37. Connection Method	IP44 Terminal Block
16. Lamp Supplied	No	38. Plug Type and Colour	-
17. Dimmable?	Dependent on lamp used	39. Earth arrangement	Earth tag inside back plate
18. Lumen Output & Colour Temp	-	40. Product Weight (kg)	1.61
19. Overall Width/Diameter (mm)	178	41. Carton Dimensions (mm)	305 x 250 x 615
20. Fitting Height (mm)	337	42. Gross Weight (kg)	2.8
21. Overall Depth (mm)	230	43. Notes 1	-
22. Minimum Drop	-	44. Notes 2	-