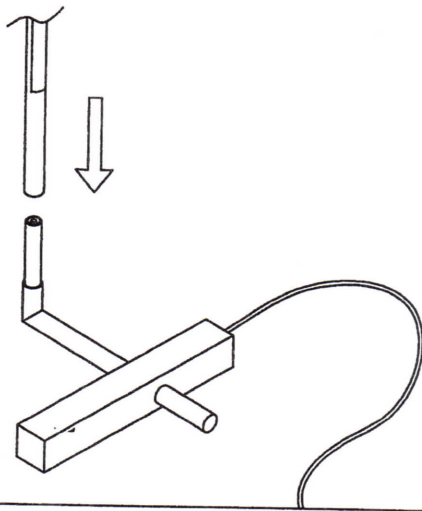
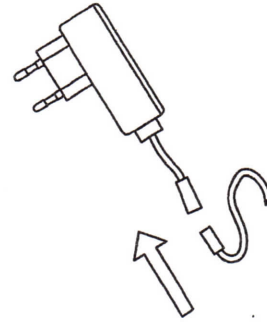


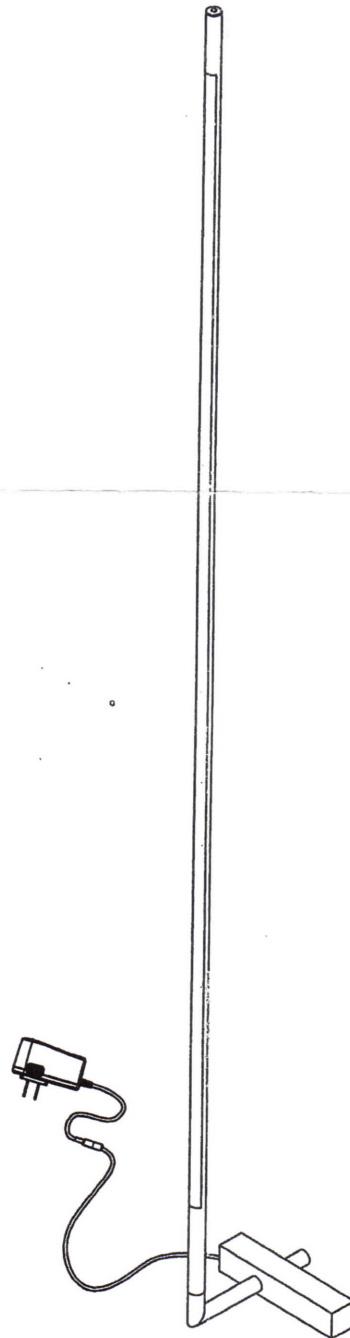
NO.1



NO.2



V4412



1. This light fitting operates at a normal supply voltage of 220~240V.
2. When changing the bulb or fuses, always switch off at the mains and allow the old bulb to cool down before handling.