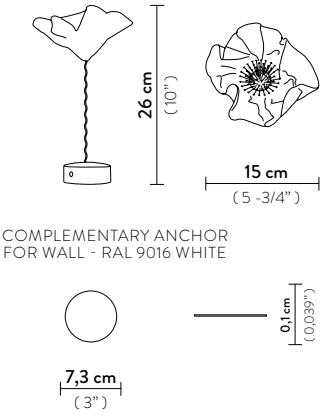
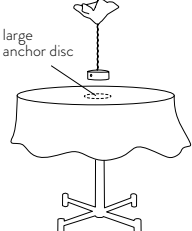
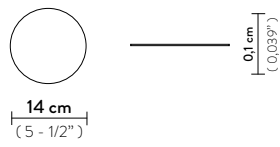
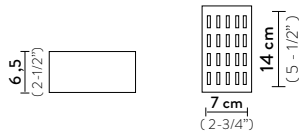
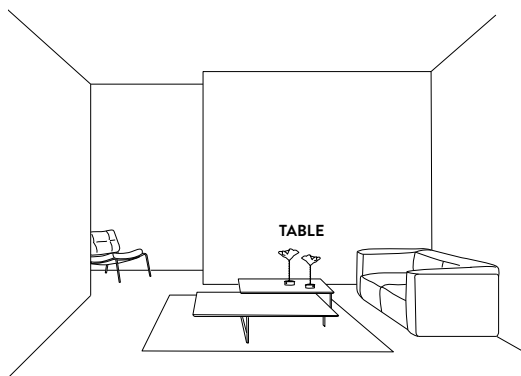




PRODUCT / PRODOTTO	DIMENSIONS / MISURE	COLOUR / COLORE	CODE / CODICE
<p><b>TABLE LAMP</b></p> <p><b>LED:</b> 1.3 W dimmable LED – 150 Lumen 2700 Kelvin - Rechargeable Li-ion Polymer Cell 3.7 Vdc 2500 mAh Charge 5 Vdc 1 A</p> <p><b>Battery duration:</b> at max. intensity around 6,5 hours duration, at min. intensity around 60 hours duration</p> <p><b>With:</b> USB/ DC plug included</p> <p>Magnetic base and complementary anchor</p> <p><b>Made of:</b> Lentiflex® / Copper wires</p> <p><b>Weight:</b> net Kg 0,2 - gross Kg 0,6</p> <p><b>Package:</b> 19 x 19 x h 35 cm</p>	 <p>COMPLEMENTARY ANCHOR FOR WALL - RAL 9016 WHITE</p>	<input checked="" type="checkbox"/> PRISMA	<b>LAF97TAVB000LE000</b>
<p><b>ADDITIONAL LARGE MAGNETIC ANCHOR DISC</b></p> <p>RAL 9016 WHITE</p> <p>To be placed under a tablecloth or other fabric covering</p> 		<input type="checkbox"/> WHITE	<b>ACC00TAV0003W_LAF</b>
<p><b>USB MULTICHARGER STATION 20 PORTS</b></p> <p><b>With:</b> 20 USB, wire 1,50 m fan automatic heat dissipation</p> <p><b>Weight:</b> net Kg 0,49 - gross Kg 0,53</p> <p><b>Package:</b> 15,5 x 15,5 x h. 7cm</p>			<b>ACC00CHAP020_000</b>

## LAFLEUR ENTIRE COLLECTION



## CERTIFICATION

CE IP 20  

ENERGY CLASS: A / A+ / A++

ENERGY LABEL AVAILABLE ON SLAMP'S WEBSITE

## FINISHES



PRISMA  
WITH WHITE BASE