

# Flia

Design Alessandro Zambelli



**Type:** Floor outdoor

**Lamps:** LED module 2,5W, 3000K, CRI 90 195 lm  
LED module 5W, 3000K, CRI 90 (2 stems)  
LED module 7,5W, 3000K, CRI 90 (3 stems)  
available with:  
on/off LED remote driver <sup>(1)</sup>  
dimmable push/DALI remote driver <sup>(2)</sup>  
175 lm

**Product use:** Outdoor

**Materials:** Stem: carbon fiber  
Head: aluminium  
Base: stainless steel  
Picket: zinc plated steel

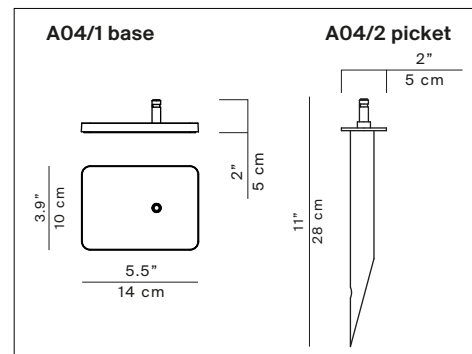
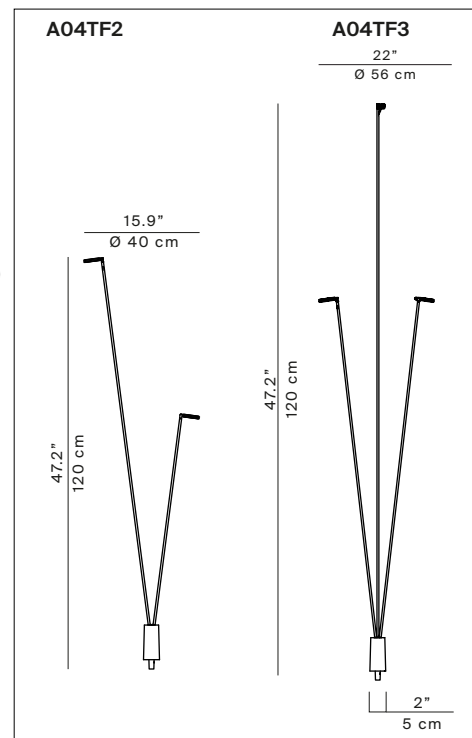
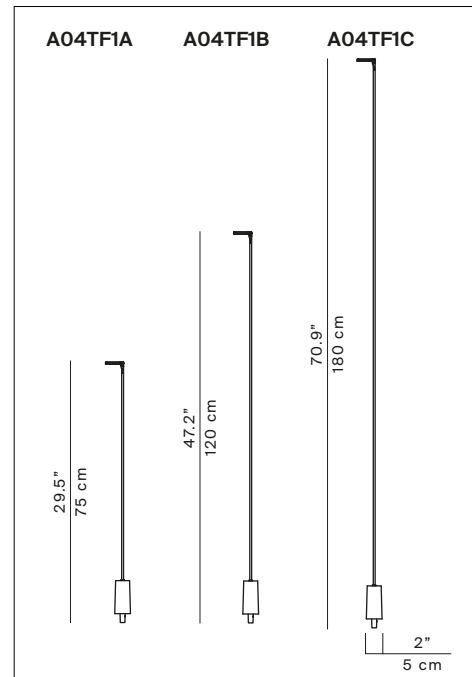
**Colors:** Matt black

**Description:** The Flia family of outdoor floor lamps stands out for its ability to combine technological aspects with rigorous expressive forms. The miniaturization of the light source – a key factor of the project – is possible thanks to the use of LED technologies. The carbon stem is supported by a cylinder that contains the core elements and grants the lamp strength, lightness and flexibility.



**Reference code:**

|  |              |                           |
|--|--------------|---------------------------|
| <b>single structure</b> (remote driver not included)   |              |                           |
| A04TF1A  | 1A040TF1A001 | h 75 cm                   |
| A04TF1B  | 1A040TF1B001 | h 120 cm                  |
| A04TF1C  | 1A040TF1C001 | h 180 cm                  |
| <b>multiple structure</b> (remote driver not included) |              |                           |
| A04TF2   | 1A040TF20001 | (h 75 + 120 cm)           |
| A04TF3   | 1A040TF30001 | ((2x h 120 + 1x h 180 cm) |
| <b>base</b>  |              |                           |
| A04/1  | 1A040/010001 |                           |
| <b>picket</b>  |              |                           |
| A04/2  | 1A040/020001 |                           |
| <b>remote drivers</b> <sup>(1)</sup>                   |              |                           |
| (the junction box is recommended watertight IP68)      |              |                           |
| A04/3  | 1A040/030000 | driver on/off             |
| A04/4  | 1A040/040000 | driver push/DALI          |



# Flia

Design Alessandro Zambelli

**LUCE  
PLAN**

Type: Complete floor lamp portable, rechargeable

Lamps: LED module 2,5W, 2700K, CRI 90      EEL: A  
dimmer on board                                      175 lm

Product use: Outdoor/indoor

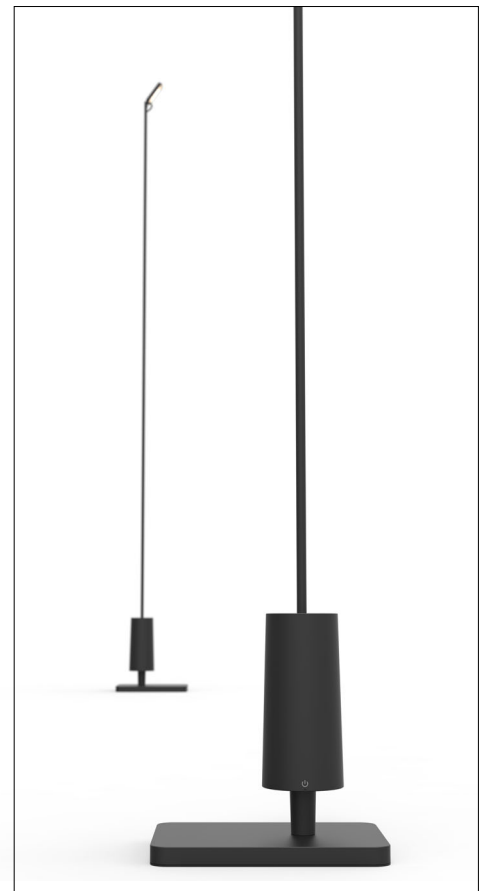
Materials: Stem: carbon fiber  
Head: aluminium  
Base: aluminium

Colors: Matt black

Description: The Flia family of outdoor floor lamps stands out for its ability to combine technological aspects with rigorous expressive forms. The miniaturization of the light source – a key factor of the project – is possible thanks to the use of LED technologies. The carbon stem is supported by a cylinder that contains the core elements and grants the lamp strength, lightness and flexibility.

   **IP65 IK03**

Reference code: A04TP1C                      1A040TP1C001                      h 180 cm



A04TP1C

