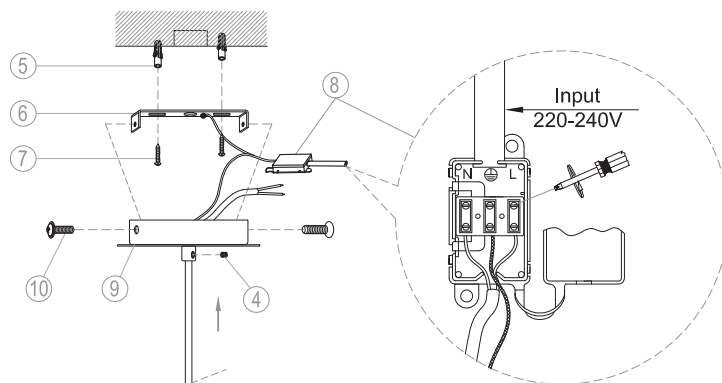
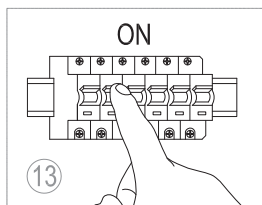
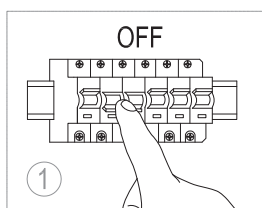
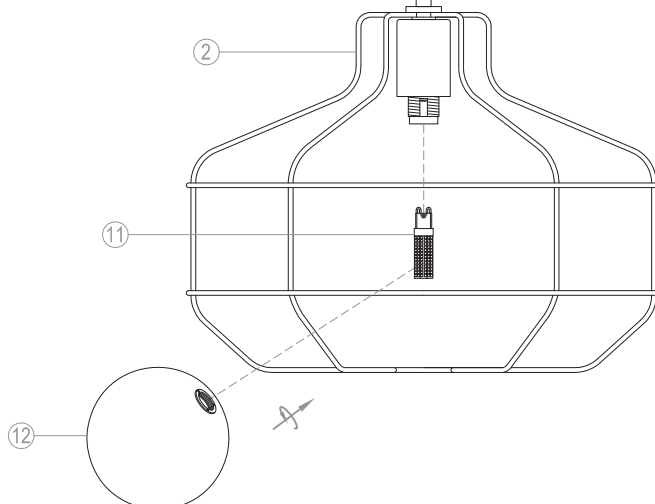
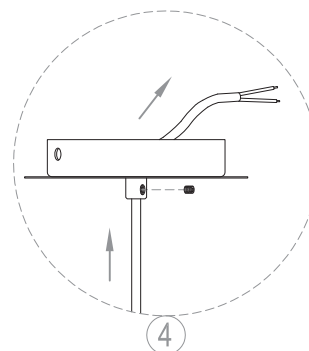


# miloox<sup>®</sup>

Model: 1744.319.BLACK  
1744.319.GOLD



wire connection



Imported from Miloox  
a brand of Sforzin Illuminazione  
Viale dell'industria,21  
20037 Paderno Dugnano-Milano-Italy  
Made in China  
Design Arch. Davide Negri



TYPE: **G9 LED**  
1 x MAX 10W  
LED  
220~240V 50/60HZ  
A max :  $\varnothing$  20 mm  
B max : 80 mm  
[www.miloox.com](http://www.miloox.com)