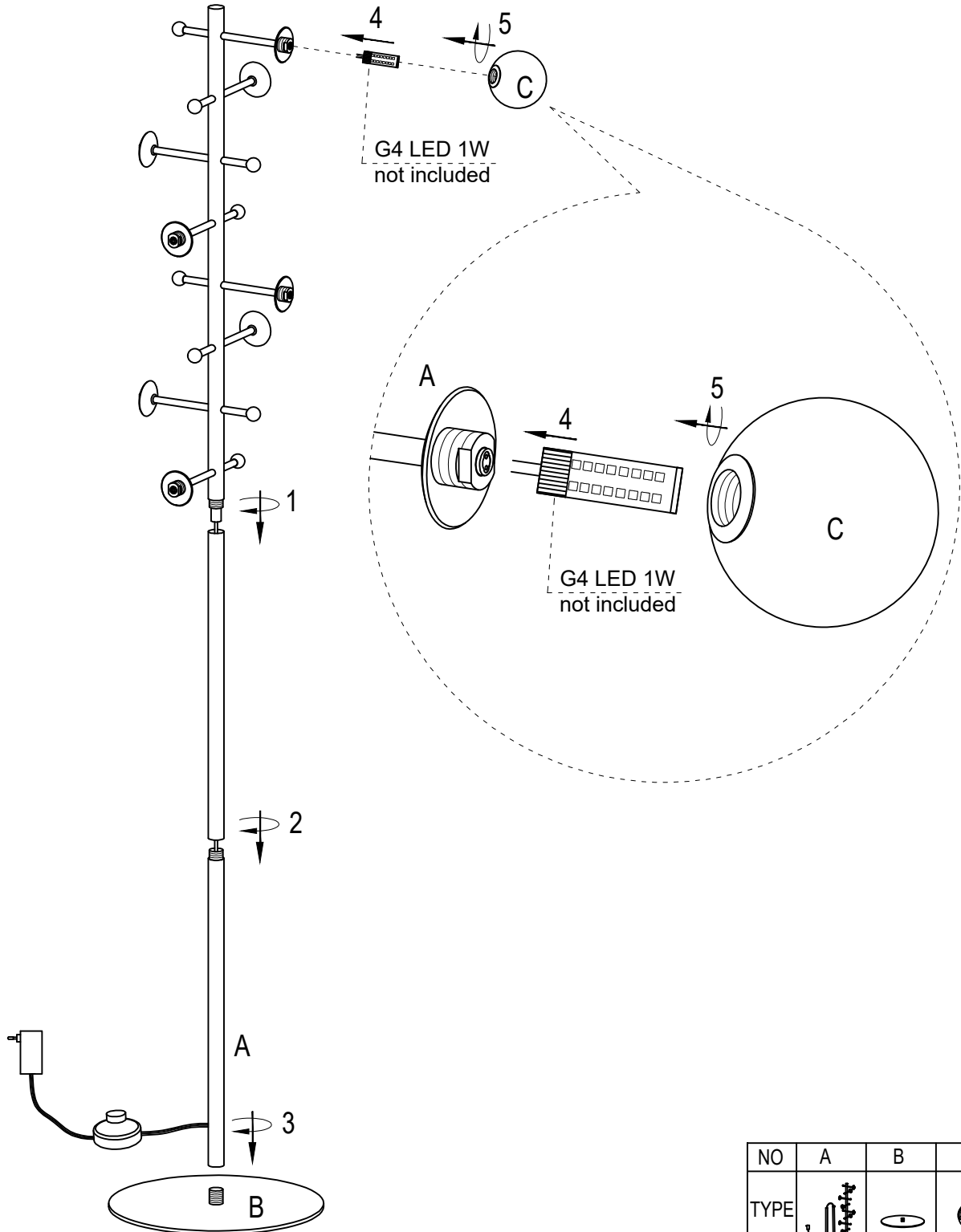


52470 Floor Lamp Trapez



| NO | A | B | C |
|------|------|------|-------|
| TYPE | | | |
| QTY | 1 PC | 1 PC | 8 PCS |