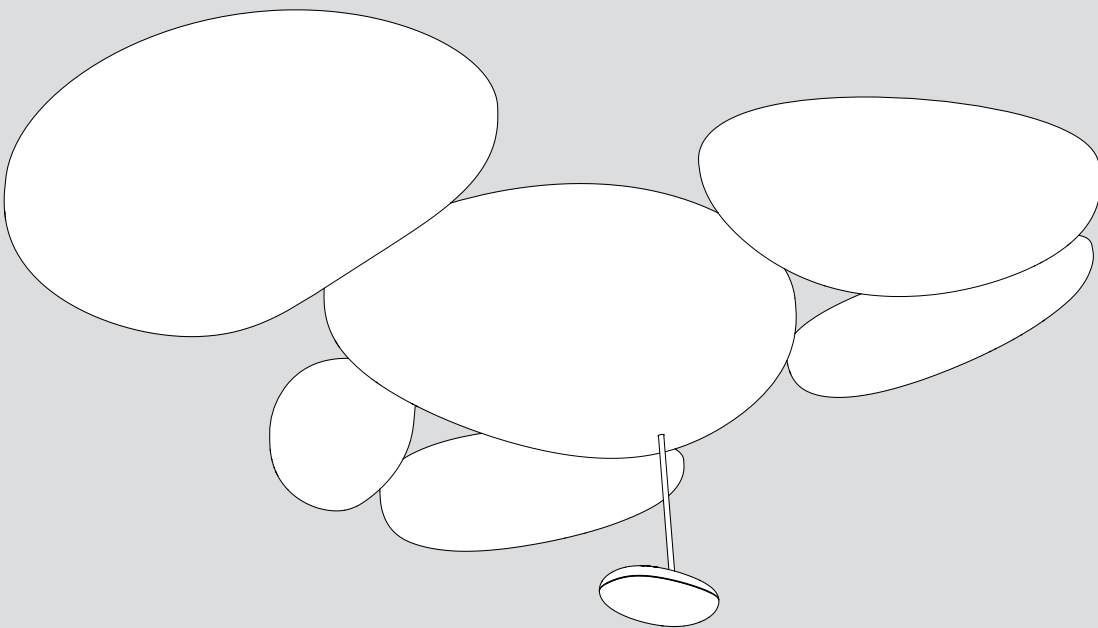


# Artemide®

## Skydro

design  
R. Lovegrove

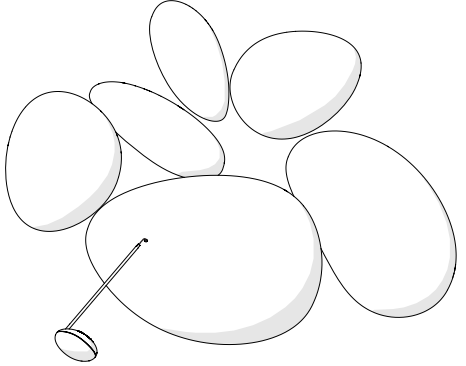
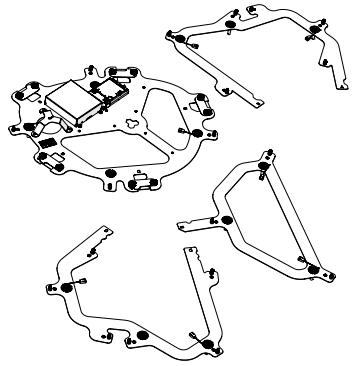
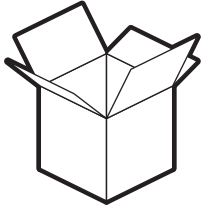


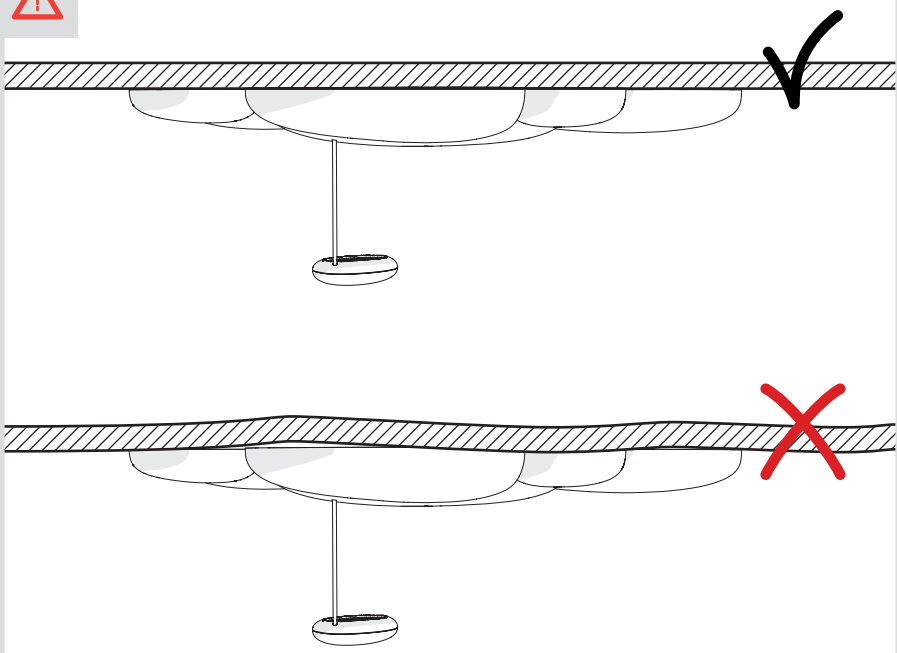
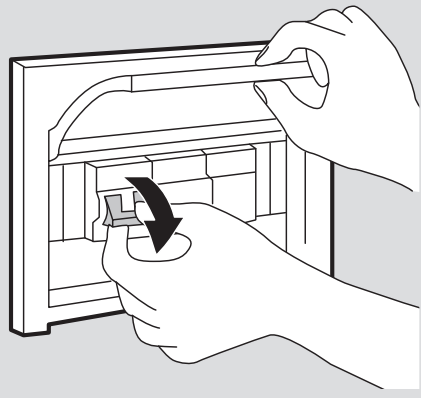
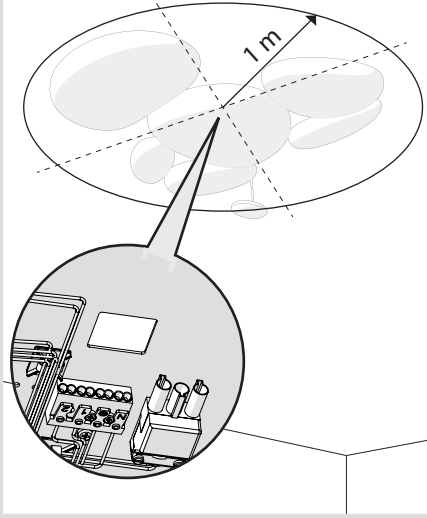


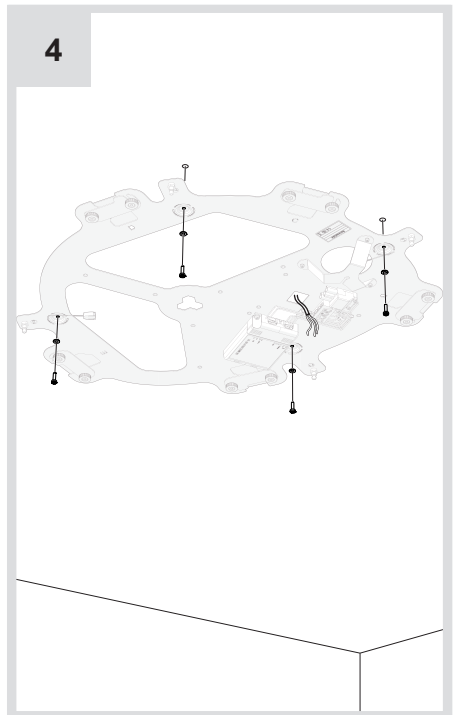
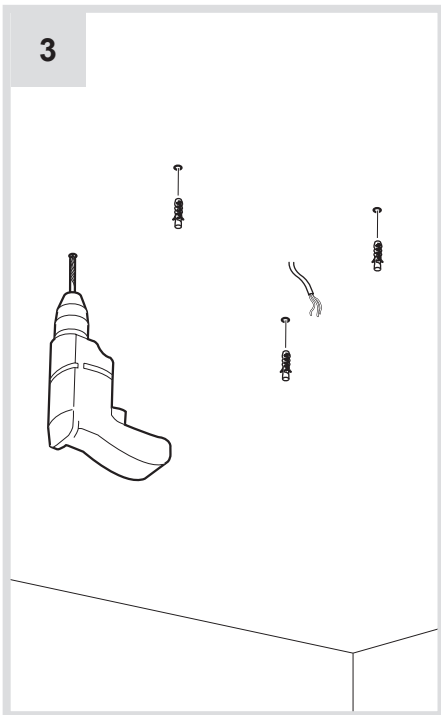
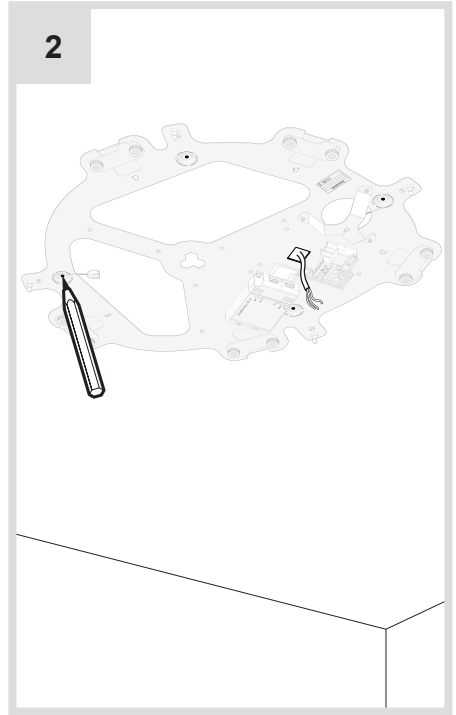
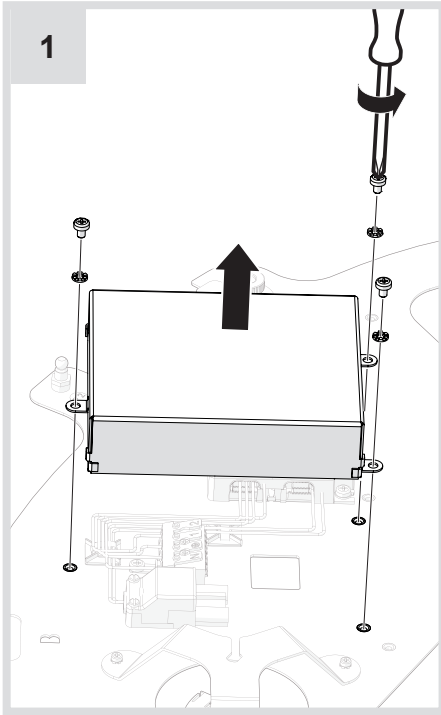
i



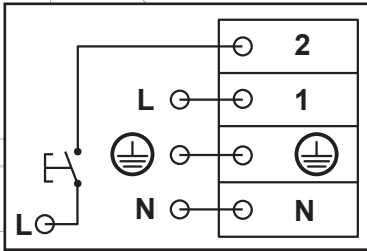
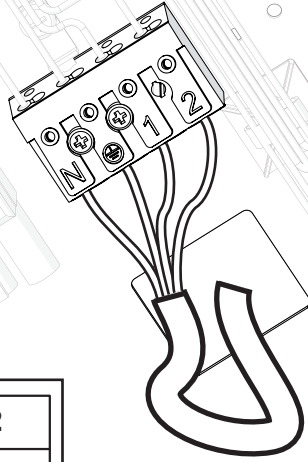
LED 1



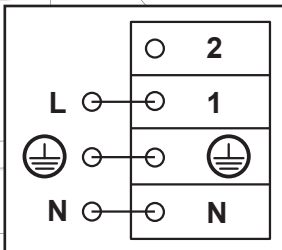
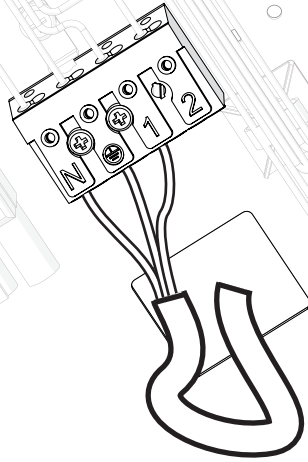




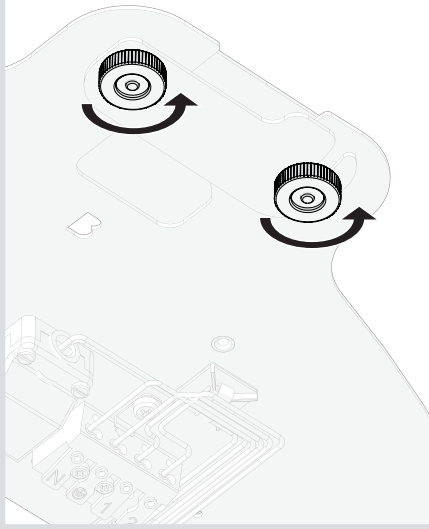
5a



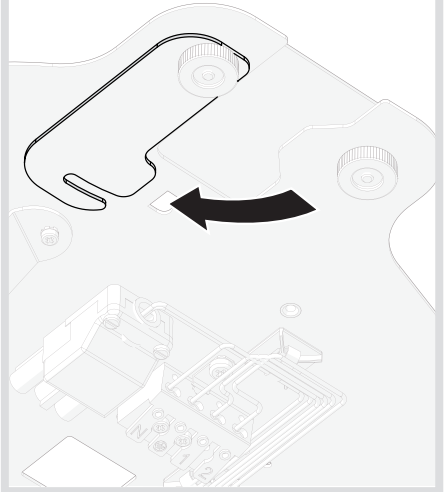
5b



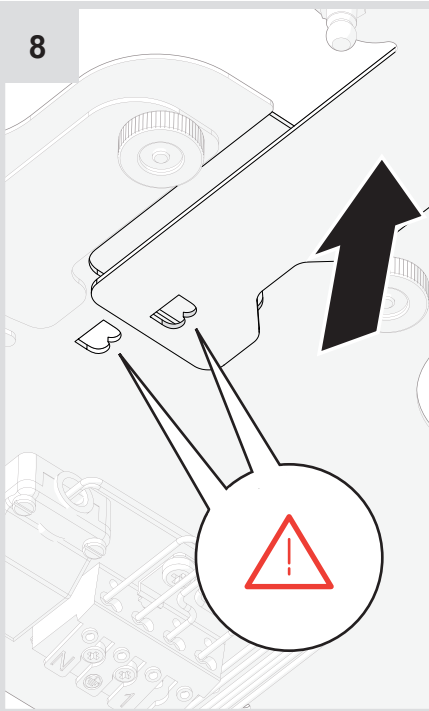
6



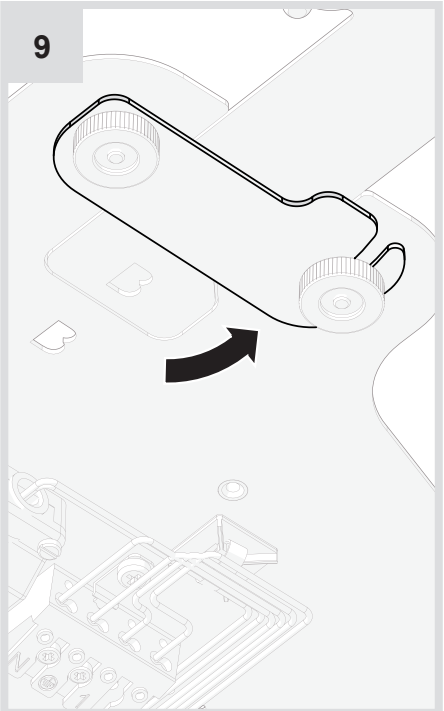
7



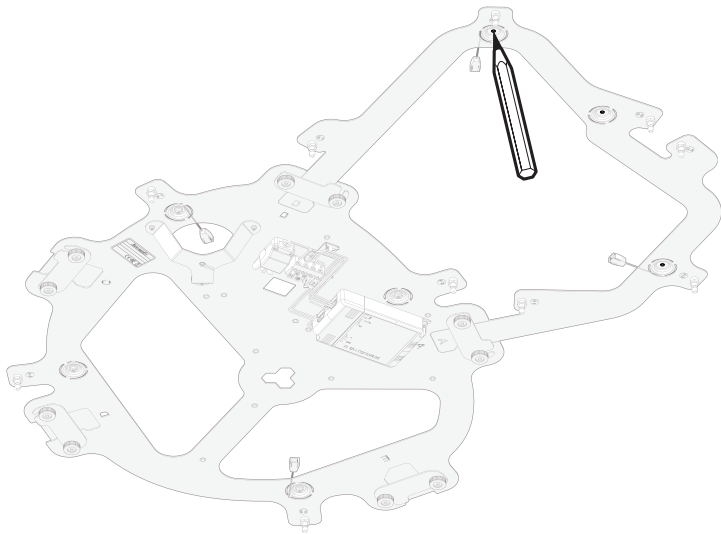
8



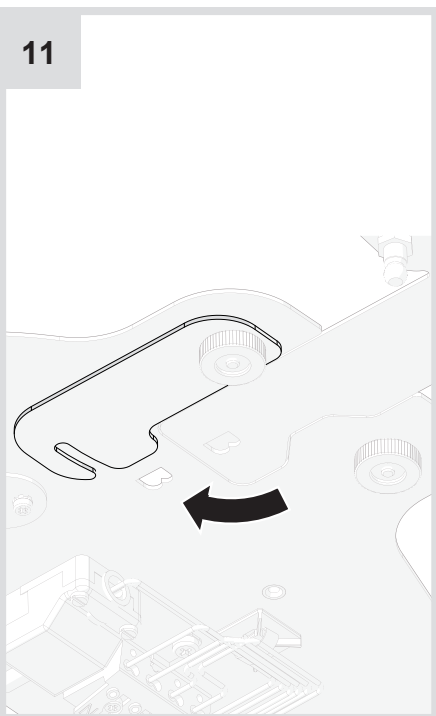
9



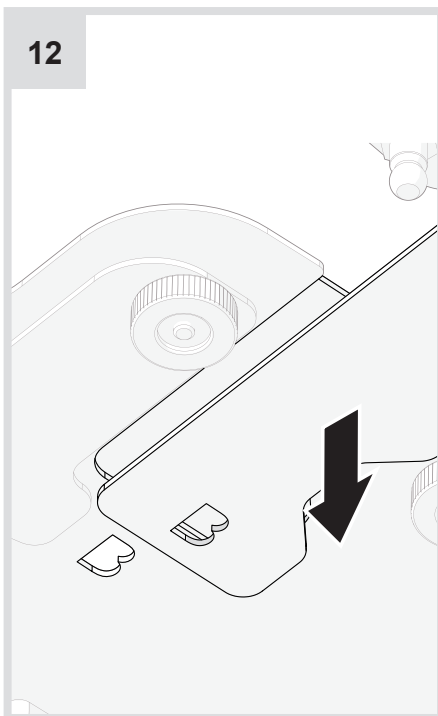
10



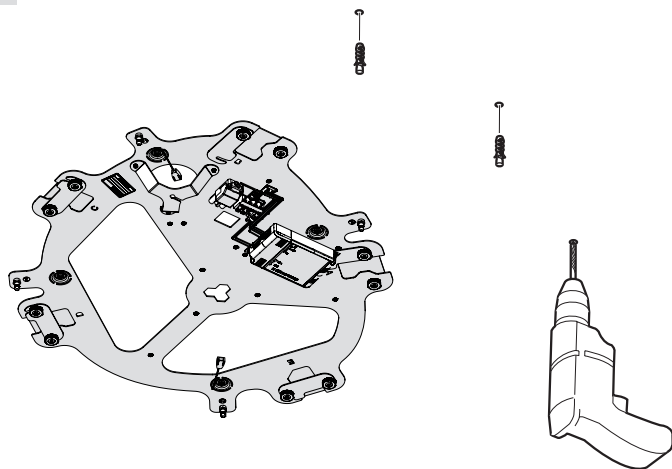
11



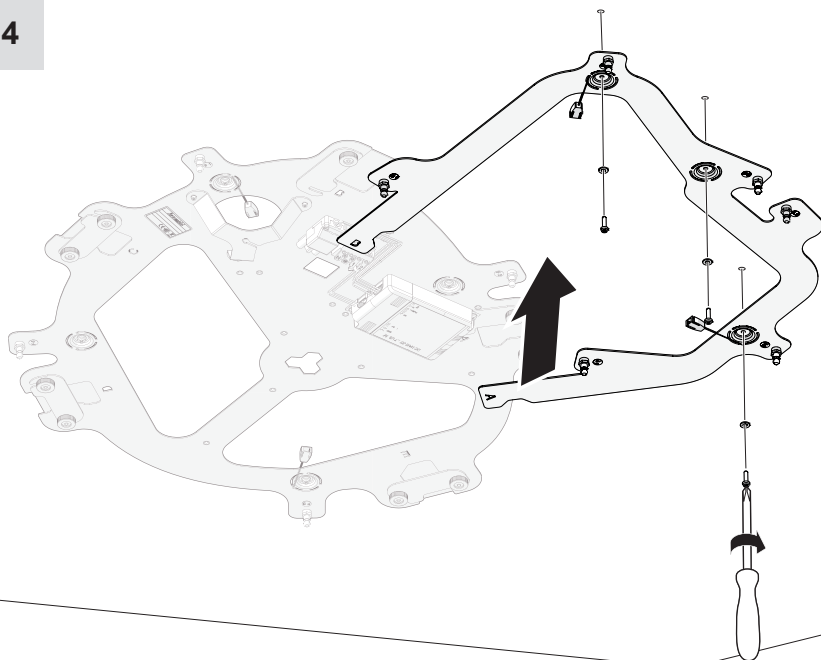
12



13

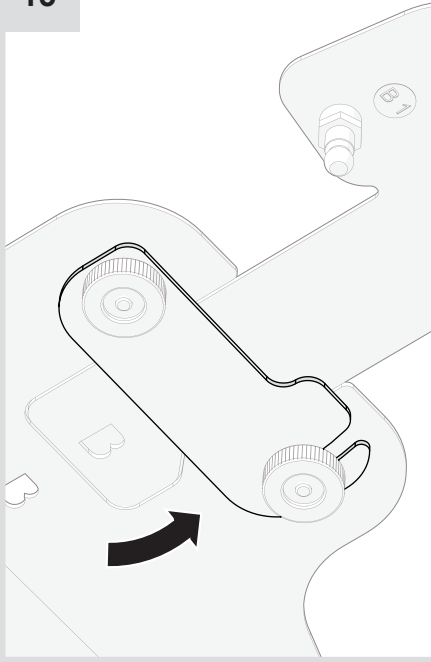


14

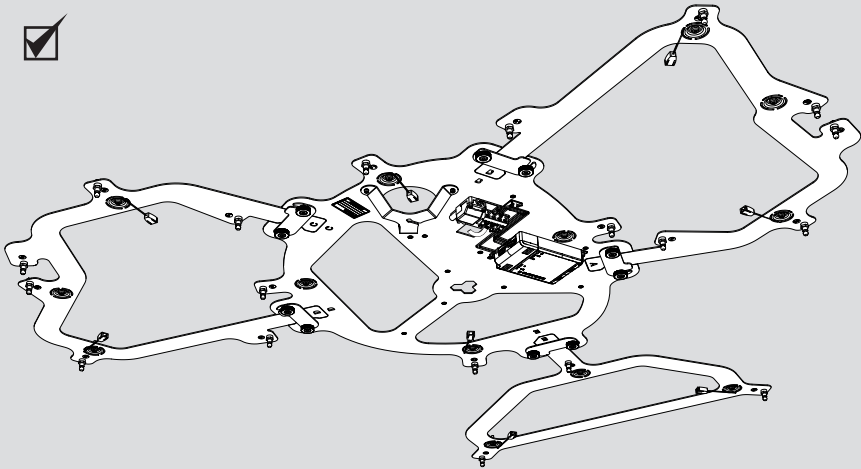
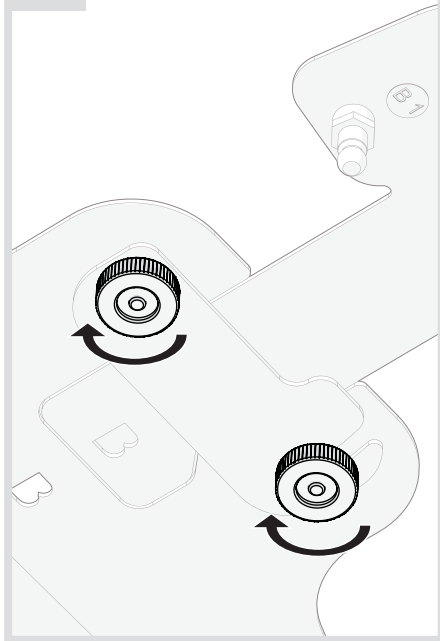




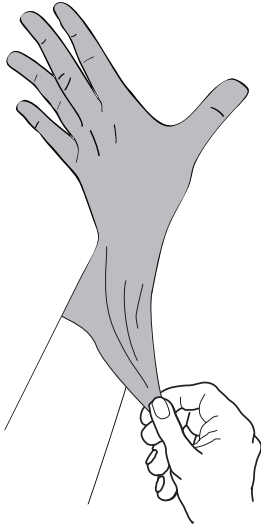
15



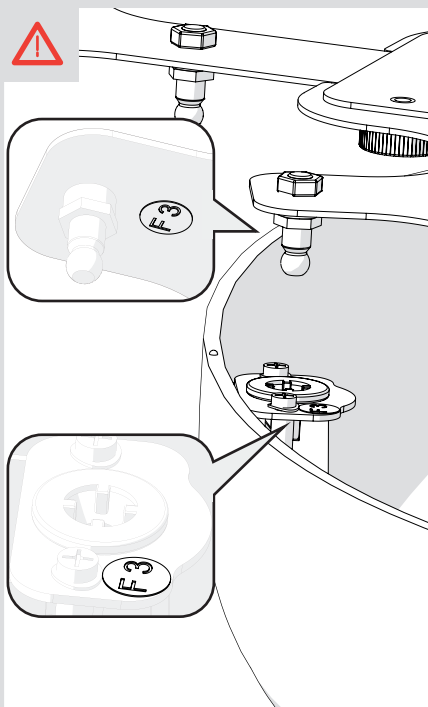
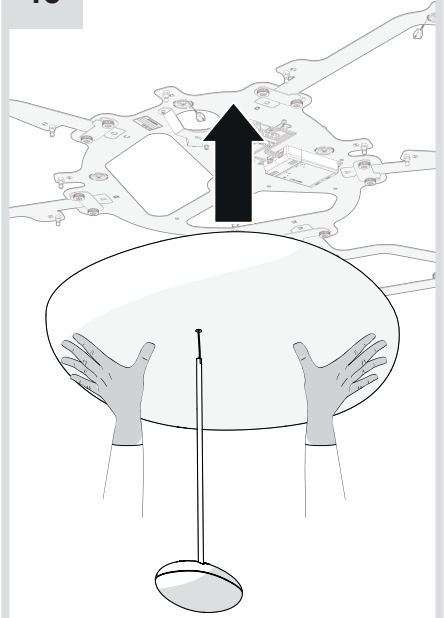
16



17



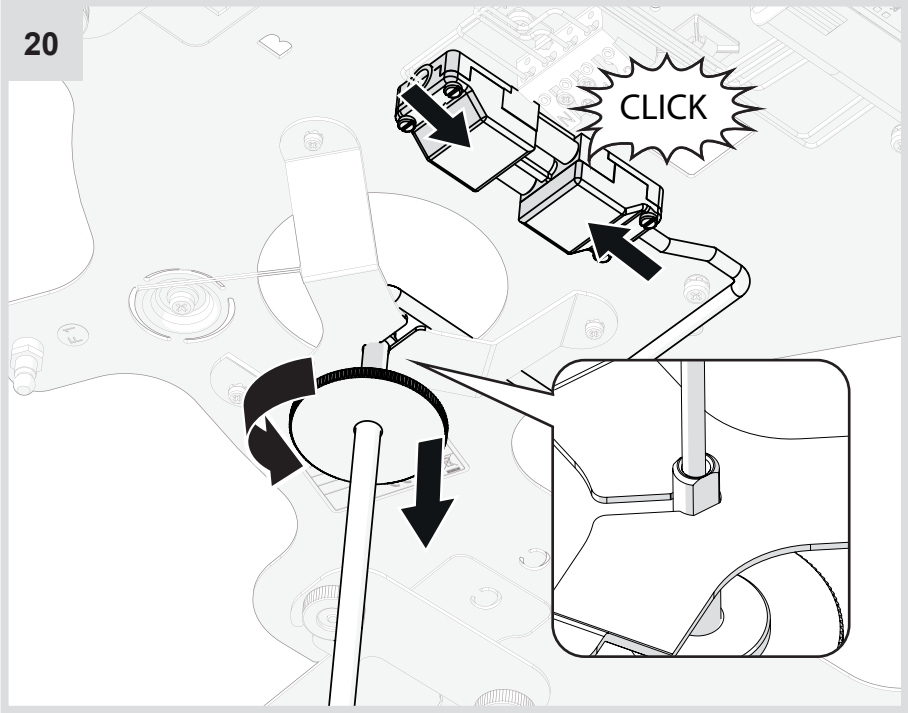
18



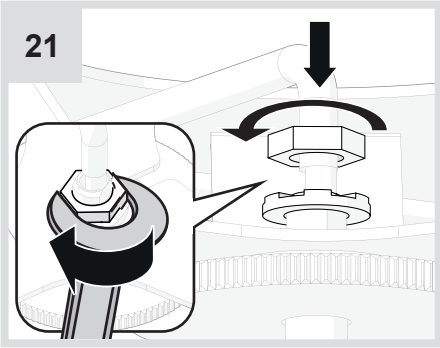
19



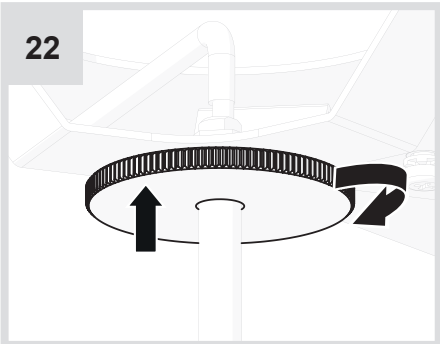
20



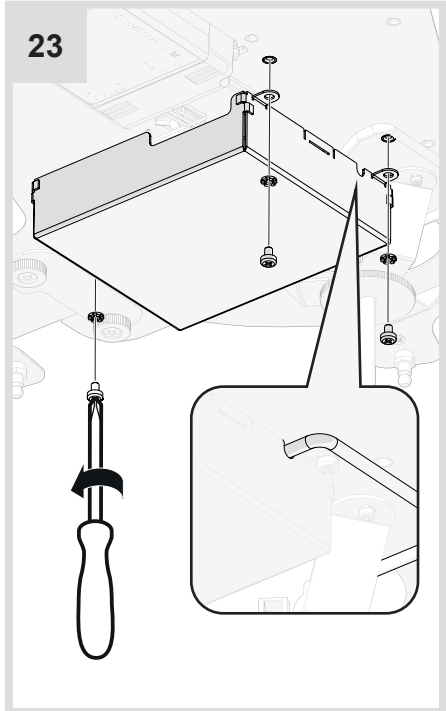
21



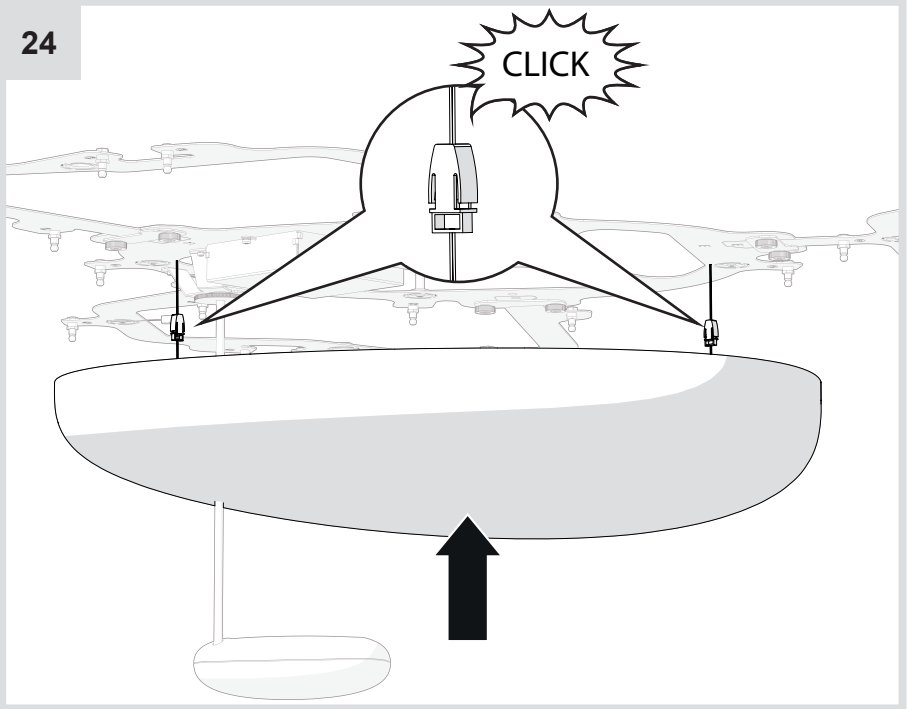
22



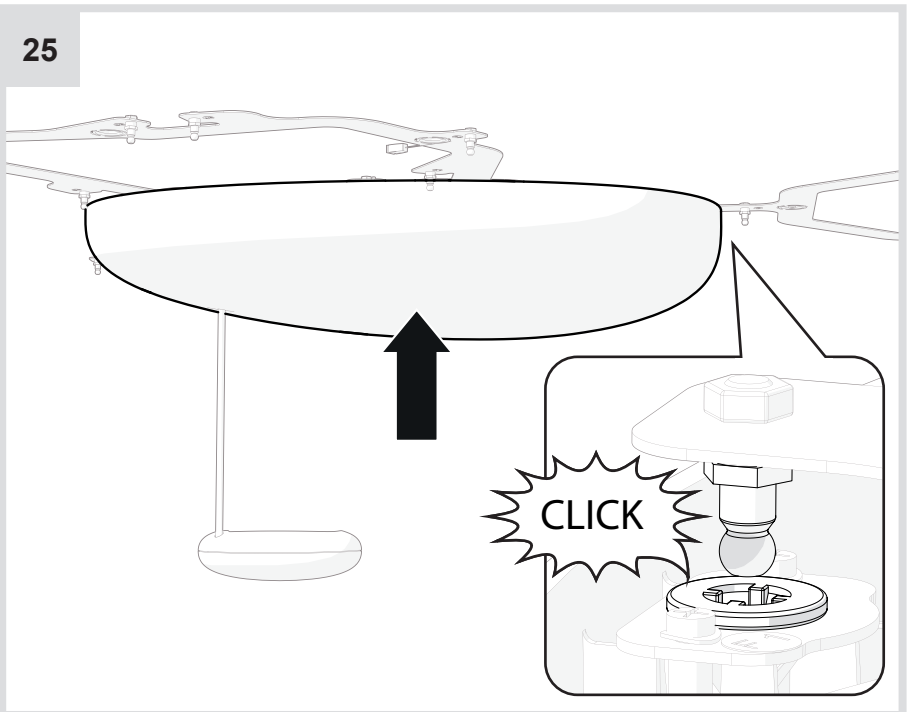
23

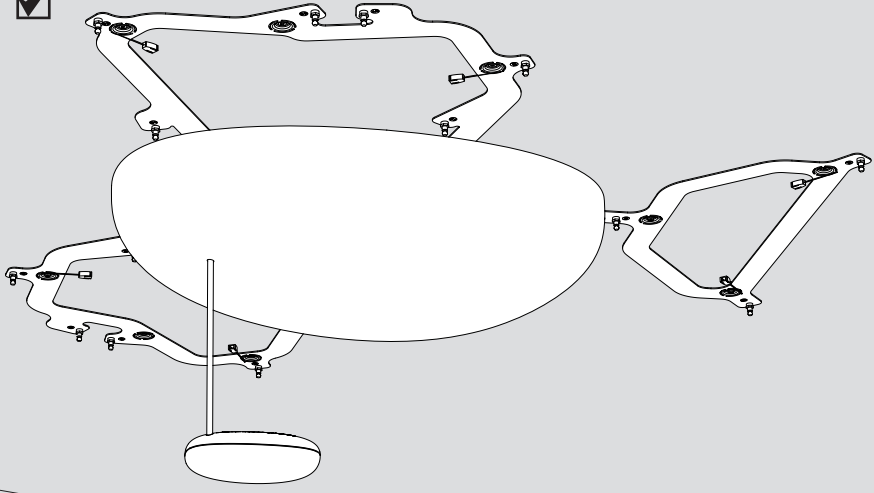


24

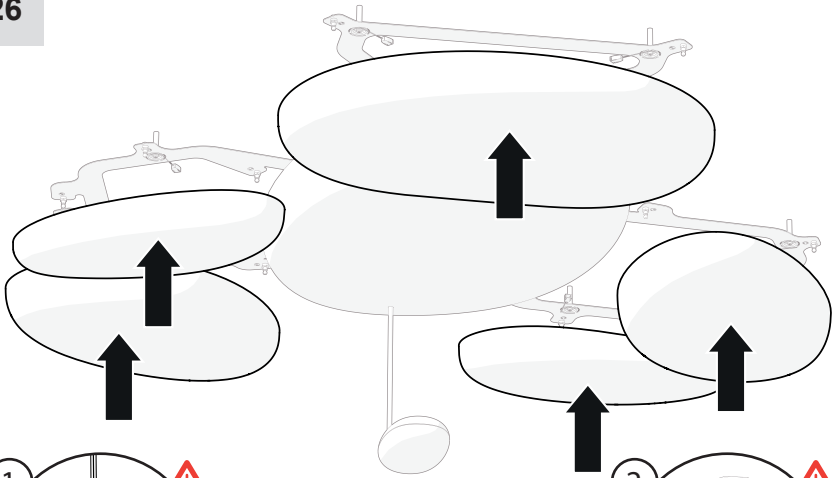


25

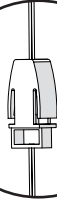




26



1



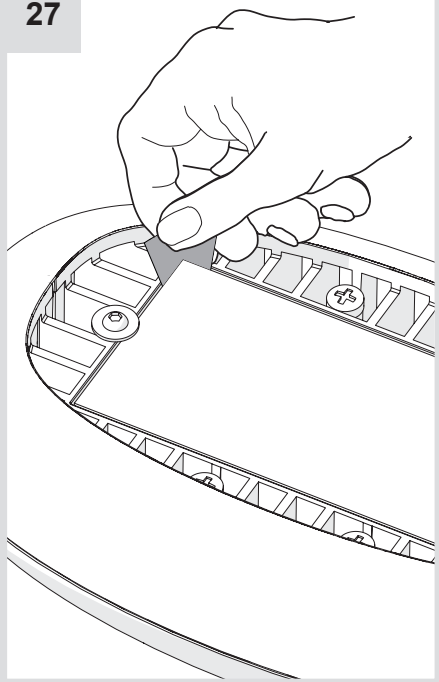
CLICK

2

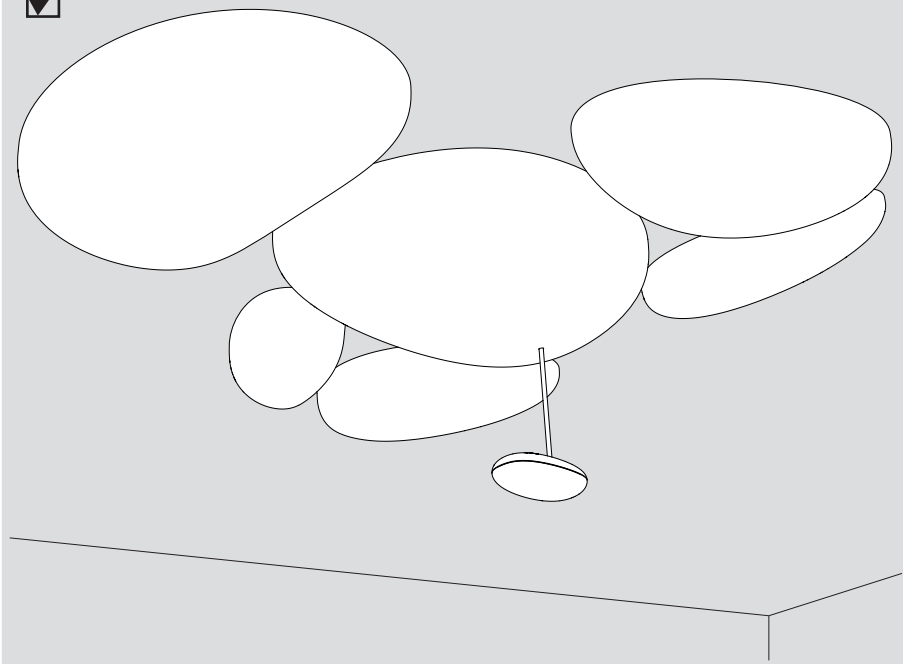
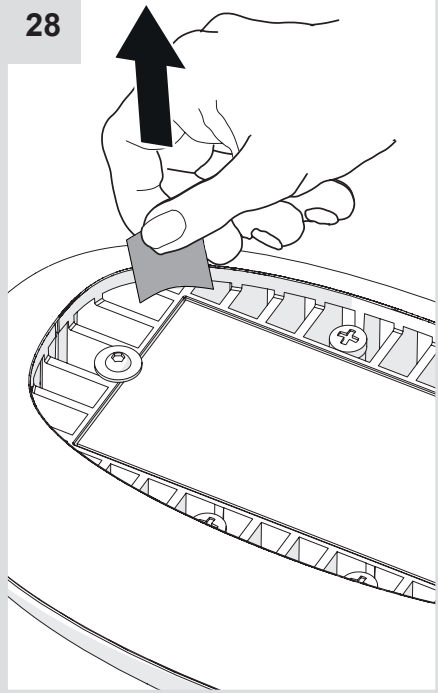


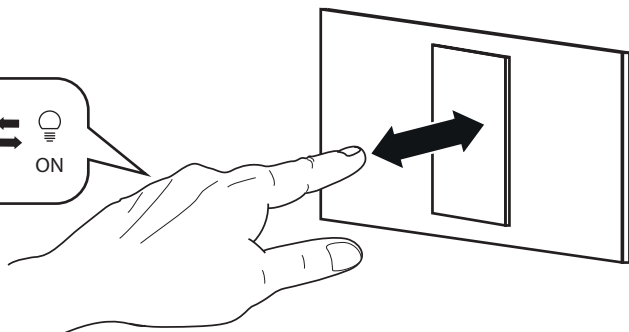
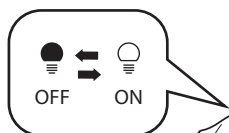
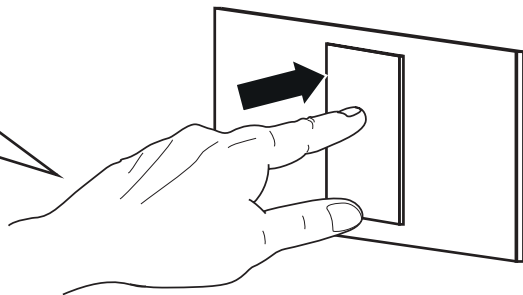
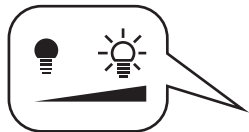
CLICK

27



28

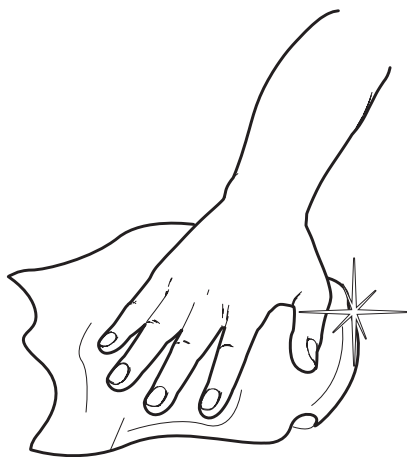




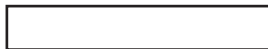
i



1



**Artemide®**



**Artemide**

via Bergamo, 18  
20010 Pregnana M.se (MI)  
ITALIA

tel. +39 02 935 181  
fax +39 02 935 90 254  
fax +39 02 935 90 496

[www.artemide.com](http://www.artemide.com)

VAT IT00846890150

cod. Y513000274