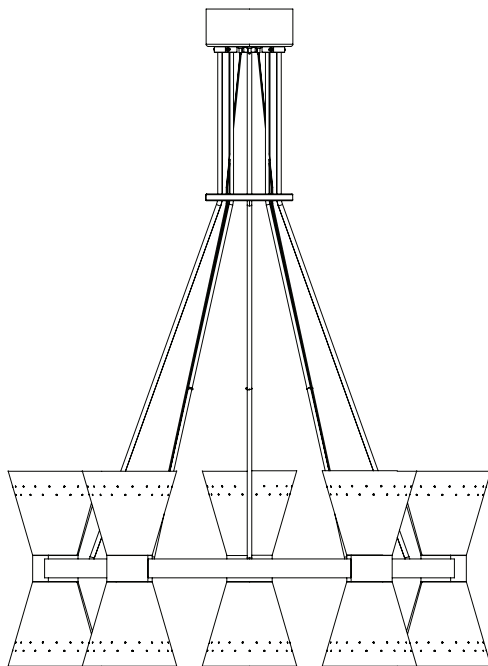


# Collector Chandelier 5

*by Alf Svensson*

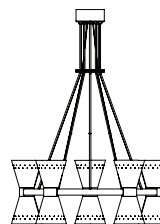


Congratulations with your new Collector Chandelier 5 by Alf Svensson. We hope you will enjoy using it.

Please follow these instructions carefully to ensure the safe and correct installation of your new lamp.

---

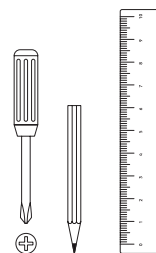
## COMPONENT OVERVIEW



1 x Lamp

---

## TOOLS NEEDED



---

## NOTE

Contact a qualified electrician if you experience any issues during installation. The external flexible cable or cord of this luminaire is damaged, it shall be exclusively replaced by the manufacturer or his service agent or a similar qualified person in order to avoid a hazard.

---

## WARNING

Improper installation, adjustment, alteration, service, maintenance or use can cause personal injury or property damage. Before installing, always turn off the power for the circuit.

## CAUTION

Keep this product and its packaging out of children's reach.

## DISPOSAL

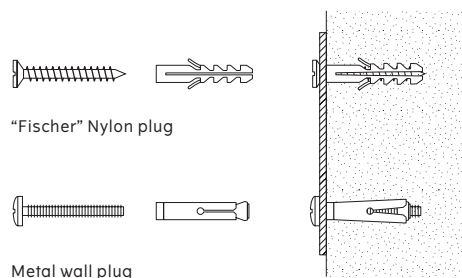
At the end of its life, dispose of this lamp in the correct waste bin or at a recycling station. Do not discard as household waste. Your local authority can provide further information on where and how it can be disposed of.

The EU Waste from Electrical and Electronic Equipment (WEEE) Directive 2005 encourages the recycling of this item.

## IMPORTANT INFORMATION

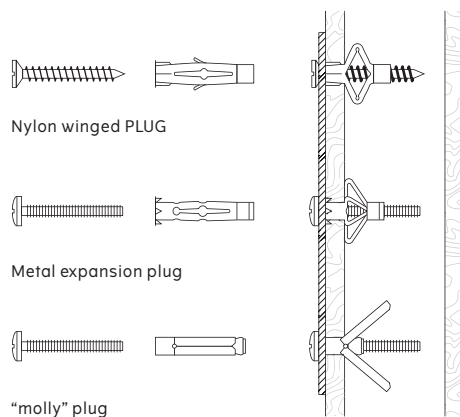
Due to the wide diversity of wall or partition types, we cannot provide you with suitable attachment fixtures. To determine which attachment fixtures to use, you will need to identify the type of wall to which you will be fixing this product. Here are some examples of attachment fixtures recommended for:

### BLIND WALLS



Metal wall plug

### STUDDED WALLS



"molly" plug

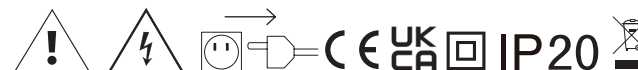
## DRILL

Use a drill bit that is compatible in size with the hardware used and the type of wall.

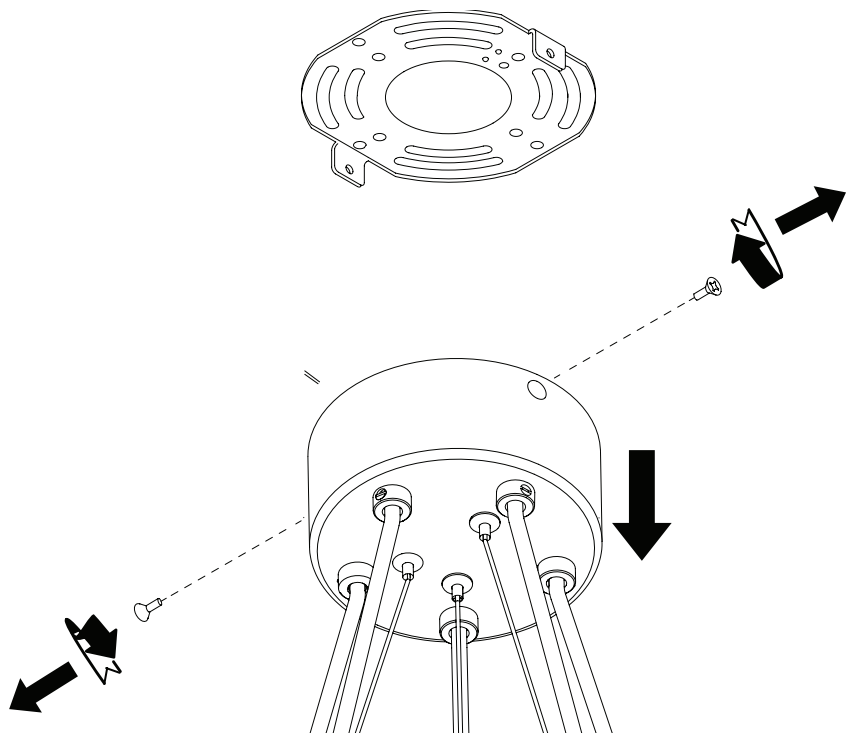


## TECHNICAL SPECIFICATIONS

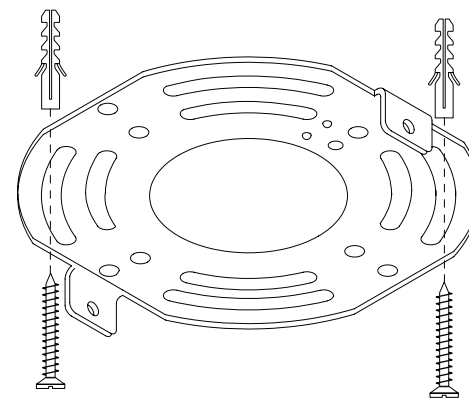
GU10 Socket Tungsten halogen lamp  
Bulb Not included  
Standard: IEC 60598-1:2000 IEC 60598-2-1:2000  
10\*Max 35 W 230V ~ 50Hz



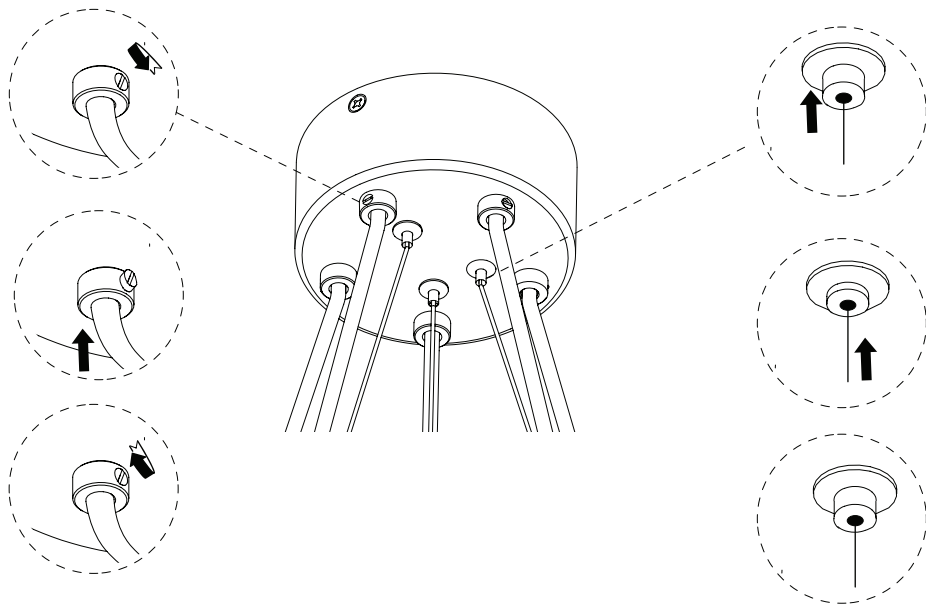
1



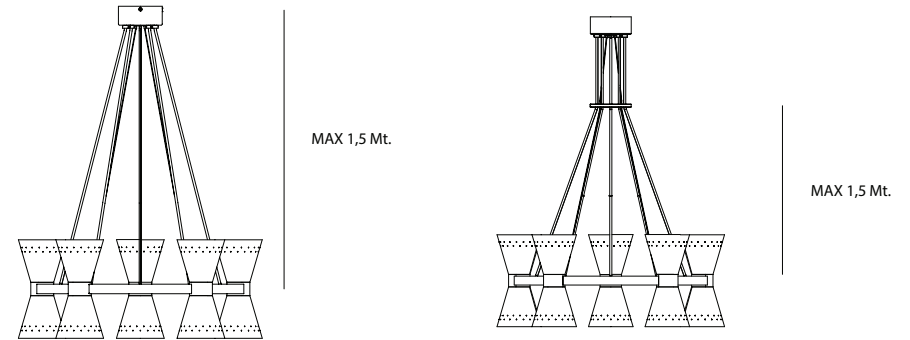
2



3

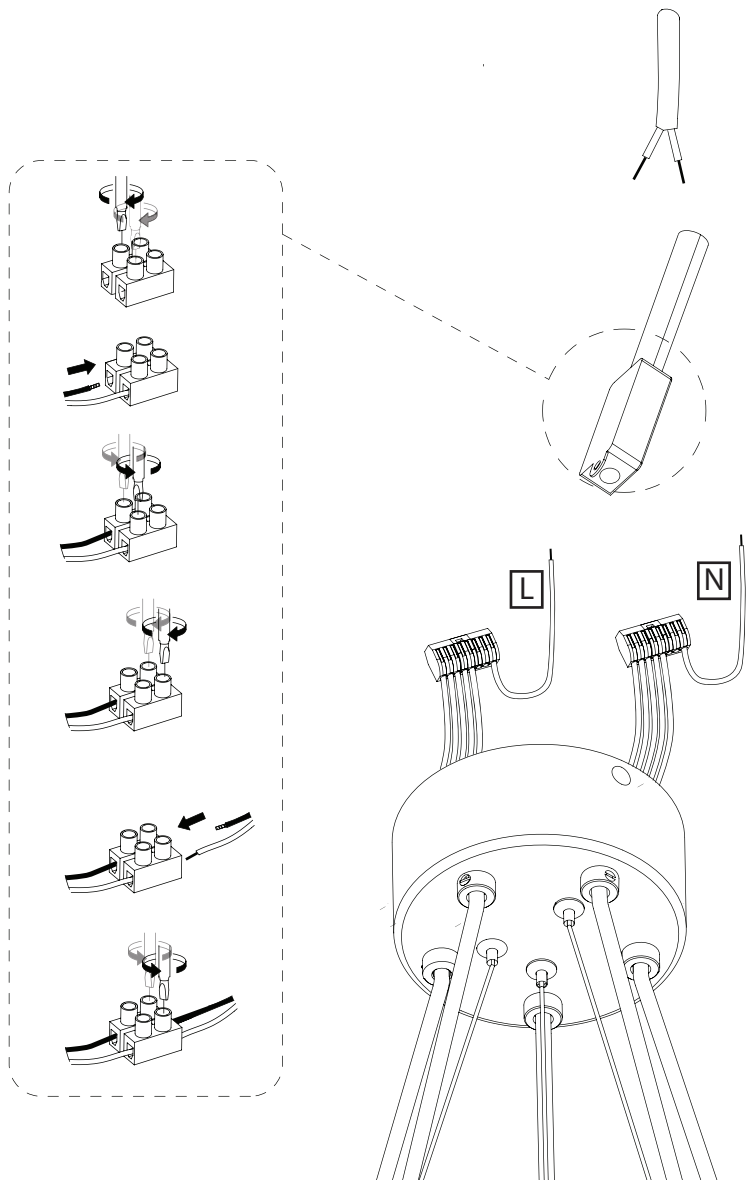


4



If you plan to install the lamp with cord longer than 1,5 m you have to use the ring keeping a max distance of 1,5m. to move the ring, release the 3 later set screws, move the steel cable, then tight back the set screws.  
 If you plan to install the lamp with cord shorter than 1,5 m, remove the ring

5



6

