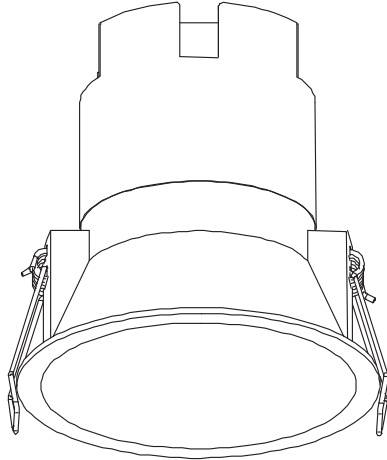
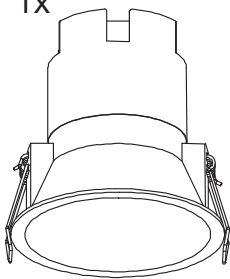

SPOT TWIST



| | EAN | W | lm | K | IP | ⌀ (°C) | V~ | mA | Hz | DF | ▽ (°) | 👉 |
|----------------------------------|---------------|----|-----|------|----|-----------|---------|-----|-------|------|-------|-------|
| SPOT TWIST 70MM 5W 830 WT WT | 4099854089022 | 5 | 400 | 3000 | 20 | -10...+45 | 220-240 | 50 | 50/60 | - | 30 | 15000 |
| SPOT TWIST 70MM 5W 830 WT BK | 4099854089046 | 5 | 350 | 3000 | 20 | -10...+45 | 220-240 | 50 | 50/60 | - | 30 | 15000 |
| SPOT TWIST 70MM 5W 830 WT SI | 4099854089060 | 5 | 400 | 3000 | 20 | -10...+45 | 220-240 | 50 | 50/60 | - | 30 | 15000 |
| SPOT TWIST 70MM 5W 840 WT WT | 4099854089084 | 5 | 400 | 4000 | 20 | -10...+45 | 220-240 | 50 | 50/60 | - | 30 | 15000 |
| SPOT TWIST 70MM 5W 840 WT BK | 4099854089107 | 5 | 350 | 4000 | 20 | -10...+45 | 220-240 | 50 | 50/60 | - | 30 | 15000 |
| SPOT TWIST 70MM 5W 840 WT SI | 4099854089121 | 5 | 400 | 4000 | 20 | -10...+45 | 220-240 | 50 | 50/60 | - | 30 | 15000 |
| SPOT TWIST 93MM 10W 830 WT WT | 4099854089145 | 10 | 800 | 3000 | 20 | -10...+45 | 220-240 | 100 | 50/60 | ≥0.5 | 30 | 15000 |
| SPOT TWIST 93MM 10W 830 WT BK | 4099854089169 | 10 | 700 | 3000 | 20 | -10...+45 | 220-240 | 100 | 50/60 | ≥0.5 | 30 | 15000 |
| SPOT TWIST 93MM 10W 830 WT SI | 4099854089183 | 10 | 800 | 3000 | 20 | -10...+45 | 220-240 | 100 | 50/60 | ≥0.5 | 30 | 15000 |
| SPOT TWIST 93MM 10W 840 WT WT | 4099854089206 | 10 | 800 | 4000 | 20 | -10...+45 | 220-240 | 100 | 50/60 | ≥0.5 | 30 | 15000 |
| SPOT TWIST 93MM 10W 840 WT BK | 4099854089220 | 10 | 700 | 4000 | 20 | -10...+45 | 220-240 | 100 | 50/60 | ≥0.5 | 30 | 15000 |
| SPOT TWIST 93MM 10W 840 WT SI | 4099854089268 | 10 | 800 | 4000 | 20 | -10...+45 | 220-240 | 100 | 50/60 | ≥0.5 | 30 | 15000 |

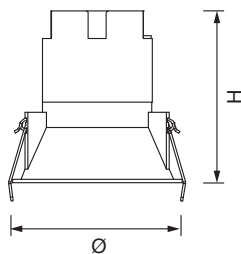
1x



155 g
 4099854089022
 4099854089046
 4099854089060
 4099854089084
 4099854089107
 4099854089121


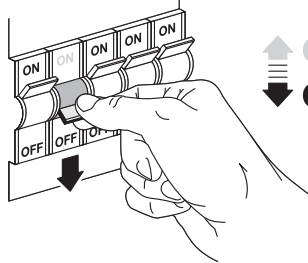
210 g
 4099854089145
 4099854089169
 4099854089183
 4099854089206
 4099854089220
 4099854089268

mm



| | Ø | H |
|-----------------|----|----|
| SPOT TWIST 68MM | 70 | 77 |
| SPOT TWIST 83MM | 93 | 94 |

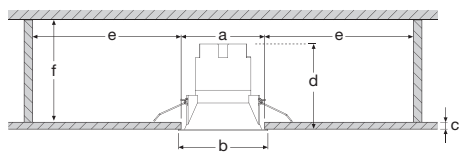
1

ON
OFF

↑ ON
↓ OFF

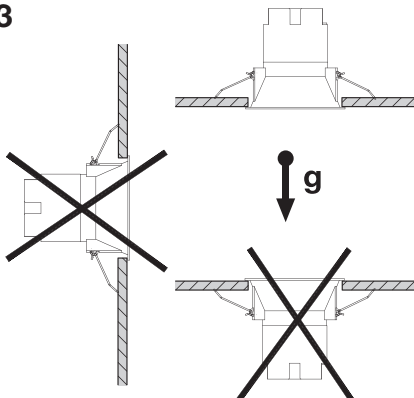
2



mm

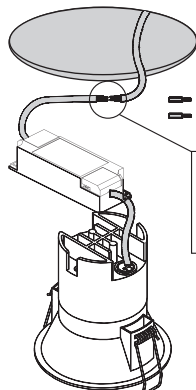
| MODEL | Ø a | Ø b | c | d | e | f |
|---------|-------|-----|------|----|------|------|
| T59-5W | 63-66 | 70 | 3-25 | 77 | ≥100 | ≥100 |
| T59-10W | 85-87 | 93 | 3-25 | 94 | ≥100 | ≥100 |

3




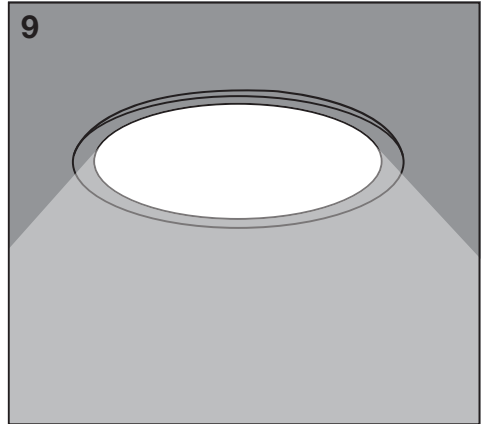
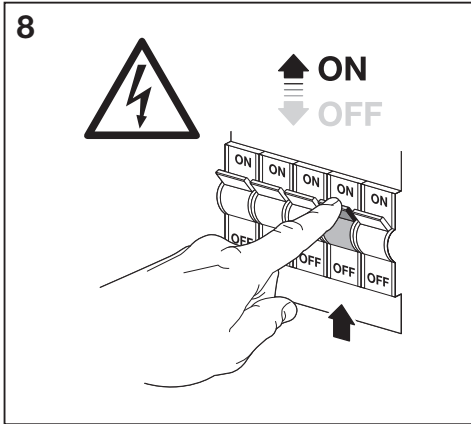
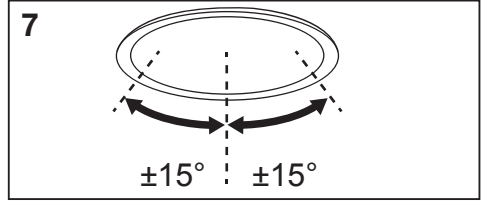
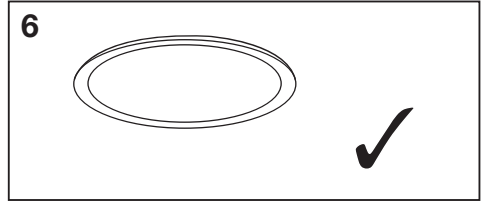
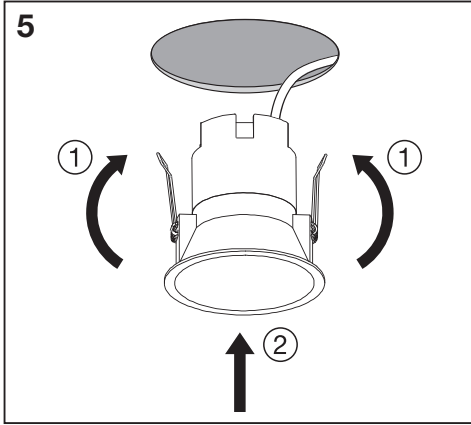
g

4

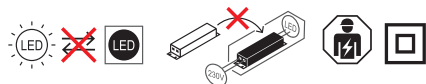


L
N

terminal block not included 



| | EAN | This product contains a light source of energy efficiency class | Contained Light Source |
|-------------------------------|---------------|---|------------------------|
| SPOT TWIST 70MM 5W 830 WT WT | 4099854089022 | G | |
| SPOT TWIST 70MM 5W 830 WT BK | 4099854089046 | G | |
| SPOT TWIST 70MM 5W 830 WT SI | 4099854089060 | G | |
| SPOT TWIST 70MM 5W 840 WT WT | 4099854089084 | G | |
| SPOT TWIST 70MM 5W 840 WT BK | 4099854089107 | G | |
| SPOT TWIST 70MM 5W 840 WT SI | 4099854089121 | G | |
| SPOT TWIST 93MM 10W 830 WT WT | 4099854089145 | G | |
| SPOT TWIST 93MM 10W 830 WT BK | 4099854089169 | G | |
| SPOT TWIST 93MM 10W 830 WT SI | 4099854089183 | G | |
| SPOT TWIST 93MM 10W 840 WT WT | 4099854089206 | G | |
| SPOT TWIST 93MM 10W 840 WT BK | 4099854089220 | G | |
| SPOT TWIST 93MM 10W 840 WT SI | 4099854089268 | G | |



Points de collecte sur www.quefairedemesdechets.fr

C10449057
G11158574
29.03.2023



LEDVANCE GmbH
Steinerne Furt 62
86167 Augsburg, Germany
www.ledvance.com