


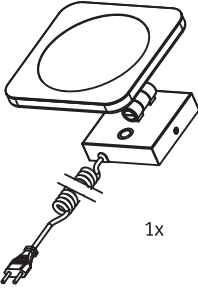
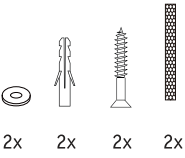
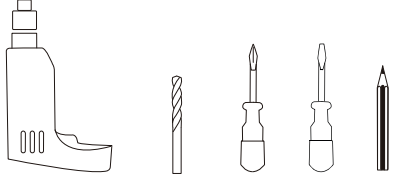
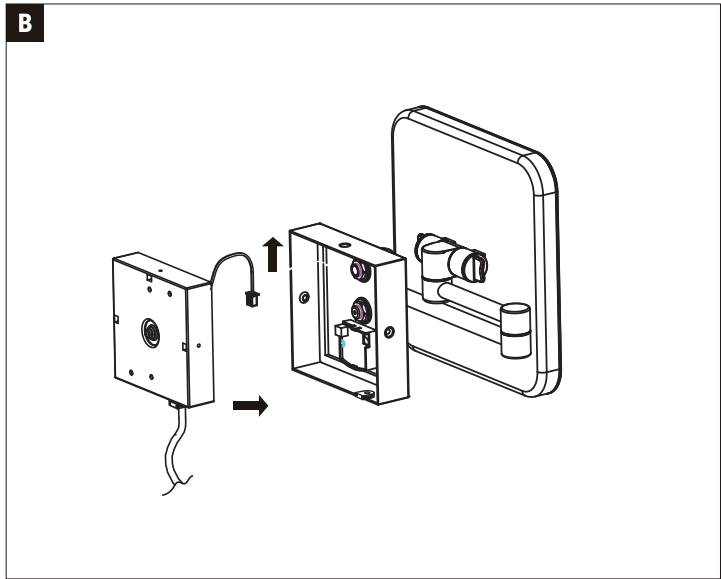
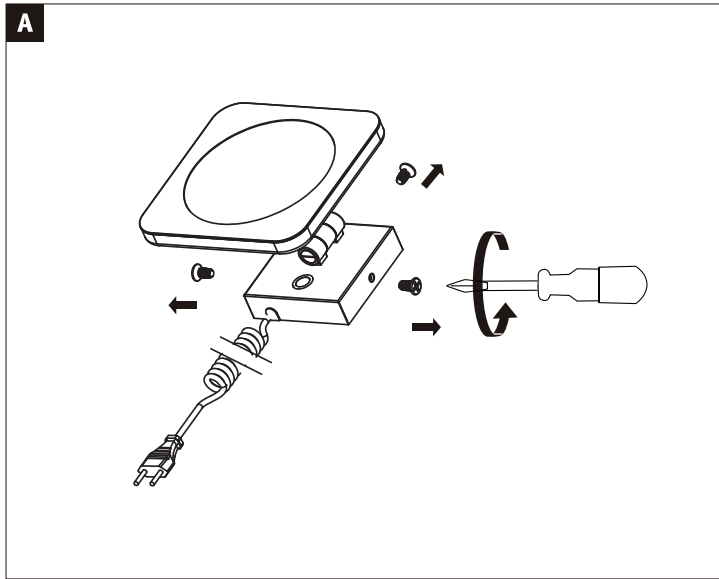



Art.-Nr.: **789.33**

(+MA 326) PPP 03/20










C1 C1

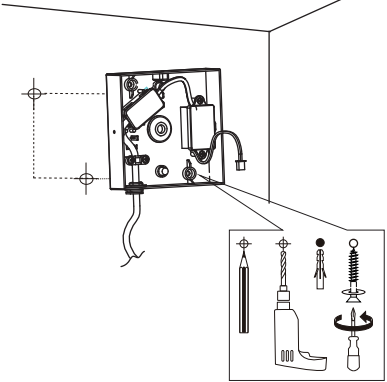
1.



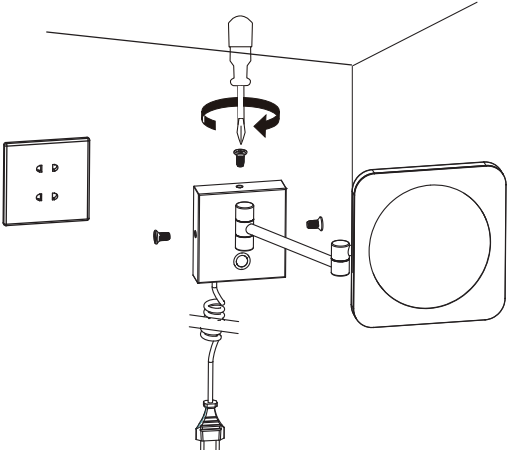
Safety Instructions
Nr. 1-7,10




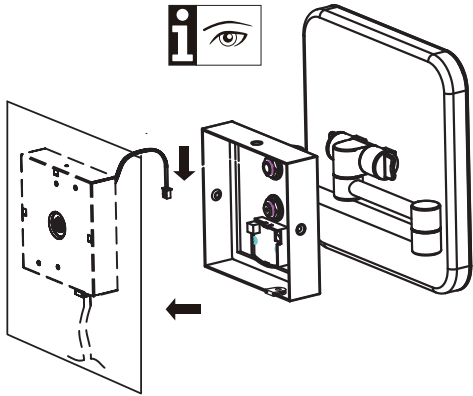
off



3.



2.

4.

