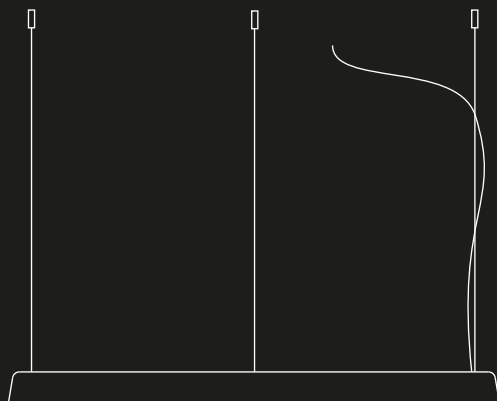


# COMPENDIUM CIRCLE

design Daniel Rybakken



**LUCE  
PLAN**

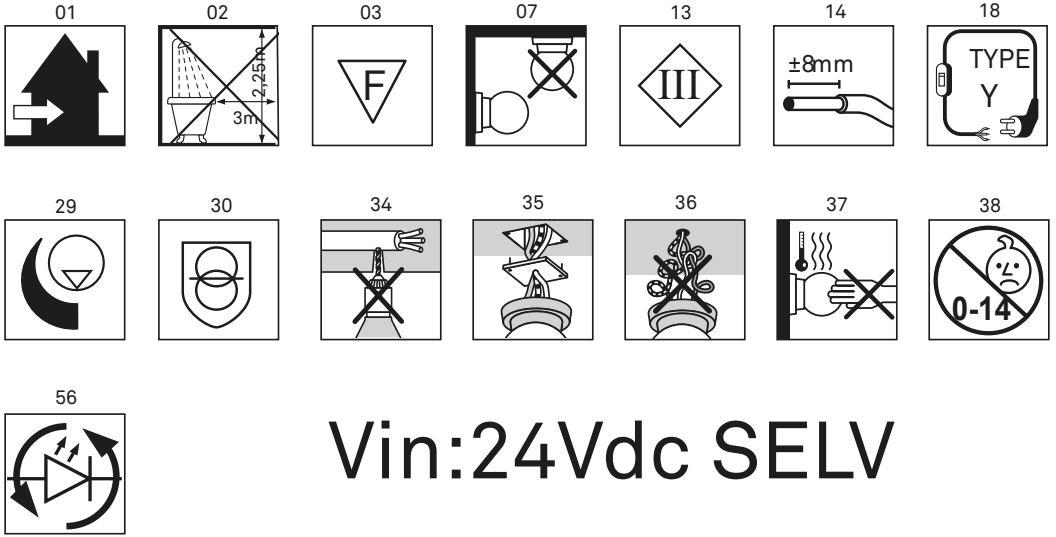
D81C



D81C07+D81/4

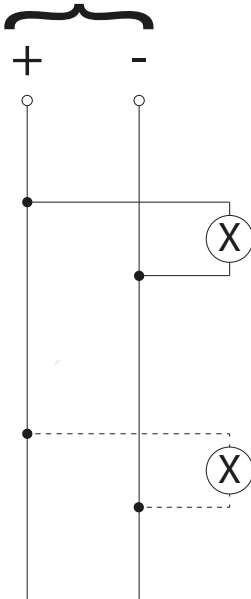
D81C11+D81/5

D81C20+D81/6



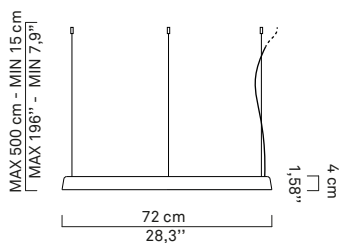
Vin:24Vdc SELV

24V --- SELV



Output PWM ~1Khz

## D81C07



SELV - 54W



24V ---

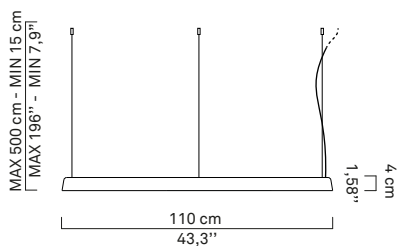
Output PWM ~1Khz

Vin:24Vdc

**kg** 1,95kg

**lb** 3 lb

## D81C11



SELV - 75W



24V ---

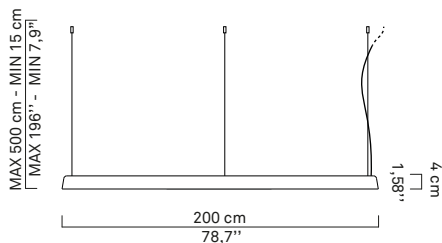
Output PWM ~1Khz

Vin:24Vdc

**kg** 3,1kg

**lb** 6,8 lb

## D81C20



SELV - 110W



24V ---

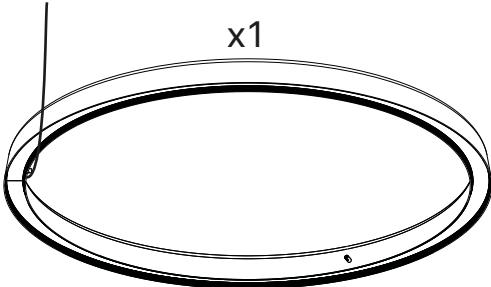
Output PWM ~1Khz

Vin:24Vdc

**kg** 6,3kg

**lb** 13,9 lb

D81C07  
D81C11  
D81C20



a



b

x 3



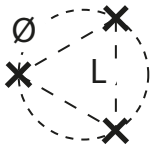
x 3





x1

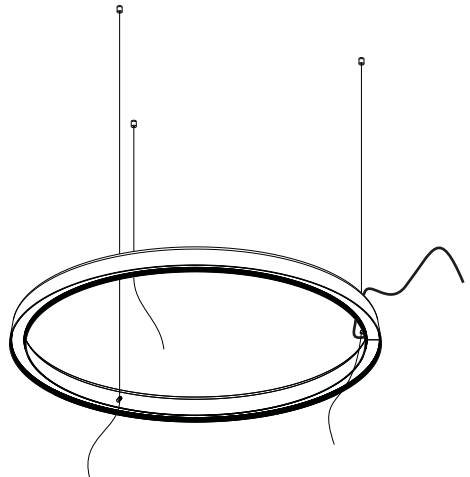
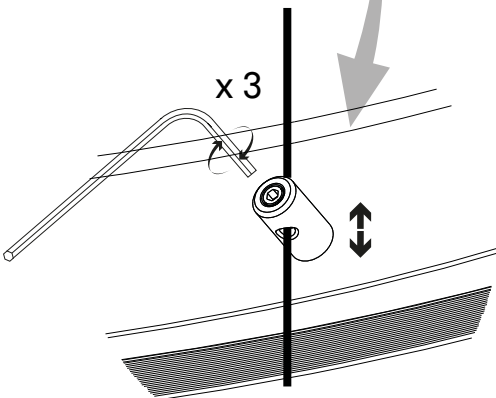
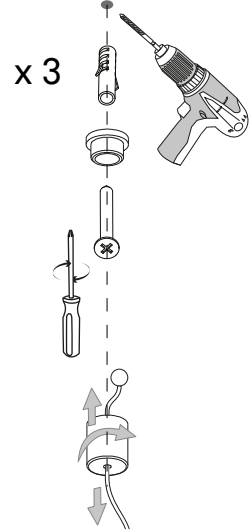
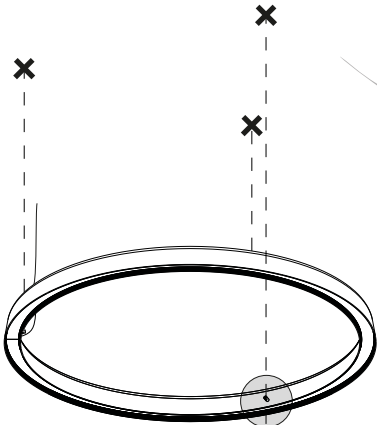
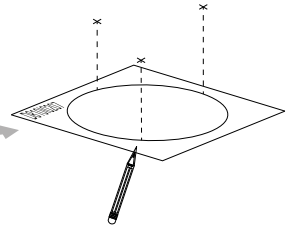


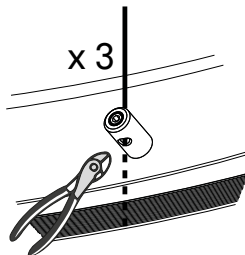
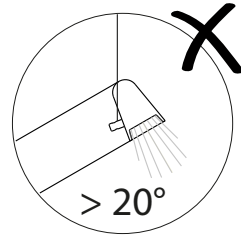
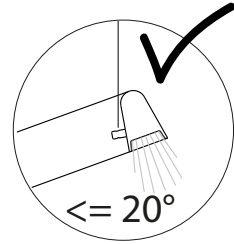
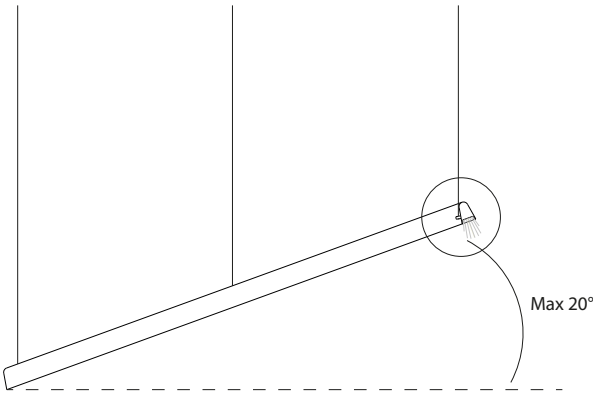
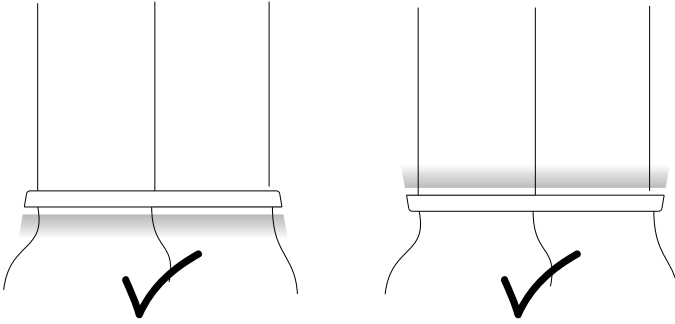
x 3



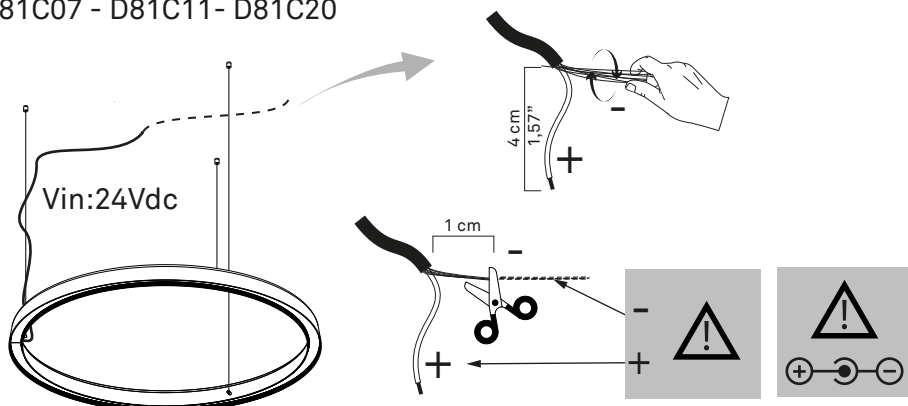
D81C07 Ø65 cm L=56 cm  
 D81C11 Ø103 cm L=89 cm  
 D81C20 Ø193 cm L=167 cm

 D810I0207  
 D810I0208

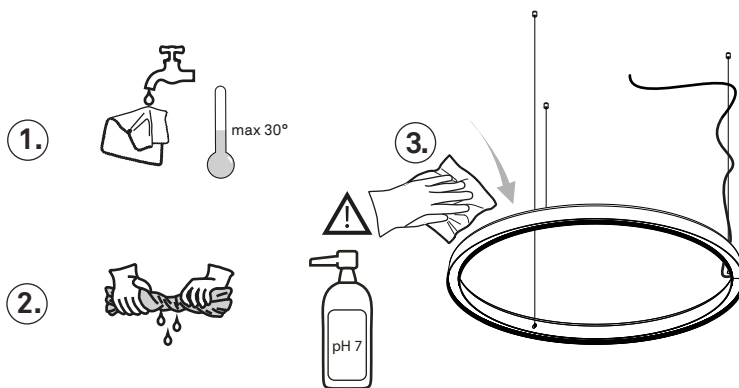
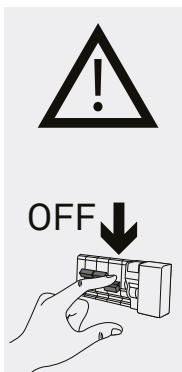
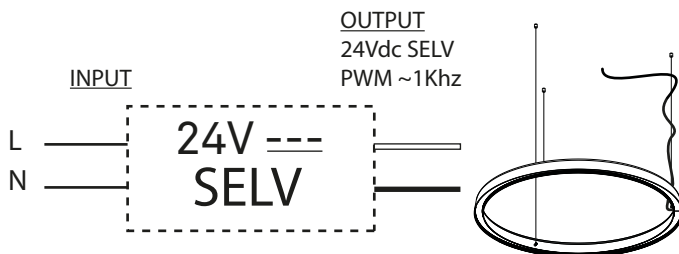




D81C07 - D81C11- D81C20



For use only with SELV power unit





[www.luceplan.com](http://www.luceplan.com)

D810I0005