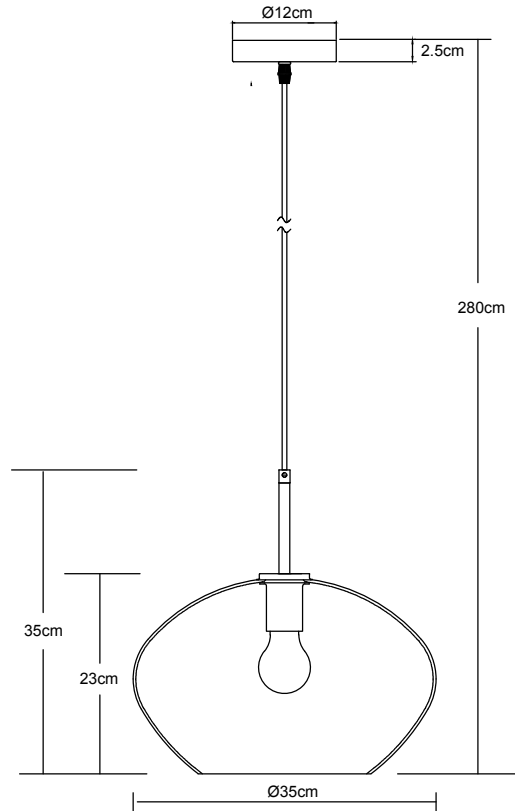


# IT'S ABOUT RoMi<sup>®</sup>

CITY LIGHTS  
↳ technical drawing & packing details

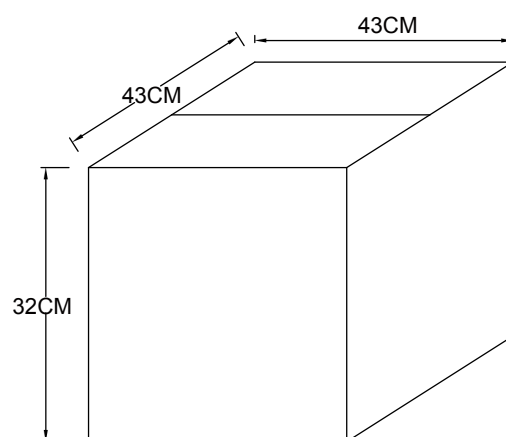
## BOLOGNA/PENDANT LAMP(BOLOGNA/H1)



SIZE: Max.Height 280CM

E27, MAX 60W

## PACKING DETAILS



BOX Sizes: 43\*43\*32CM

Total CBM: 0.059

G.W: 2.80 KGS

N.W: 1.80KGS