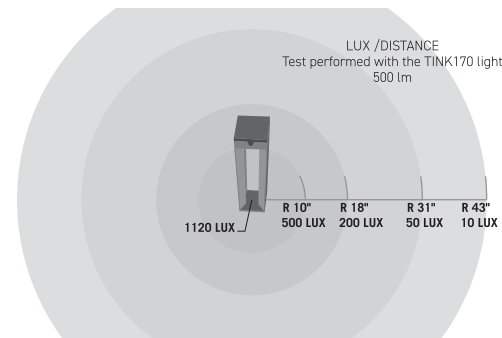


OUTER PANEL

POSITIONING



Example of positioning in Aix-en-Provence. Expected performance in the middle of each month. Hypothesis: 2.4-W panel and new batteries.

Month	Recoverable energy in Wh	Length of night in hours	Brightness in lm (mode 1)	Average battery life at 500 lm in hours
January	102	13:40	56	01:08
February	146	12:30	87	01:38
March	234	11:10	157	02:37
April	294	09:35	219	03:18
May	354	08:10	257	03:58
June	384	07:30	279	04:18
July	398	07:30	279	04:28
August	344	09:00	233	03:51
September	255	10:30	182	02:51
October	176	12:00	110	01:58
November	109	13:15	62	01:13
December	88	13:55	47	00:59

MAINTENANCE AND CUSTOMER SERVICE

Clean the solar panel frequently with a damp cloth.

Questions regarding the repair and maintenance of your product, contact us by e-mail at contact@lesjardins.us or call 1-833-JARDINS

TRANSPORTATION

Lithium-ion batteries are subject to regulations concerning the transport of dangerous goods. The user may carry the batteries by road without taking additional measures. When dispatched by a third party, (e.g., air carriers or haulage companies), the specific measures printed on the packaging must be observed.

WASTE DISPOSAL

The ASB, as well as its accessories and packaging, should all be recycled in an appropriate manner. Do not throw the ASB out with your household waste!

EPA recommendation: Find a location to recycle Li-ion batteries and products that contain Li-ion batteries on the epa.gov website; do not put them in the trash or municipal recycling bins.

WARRANTY

This product is guaranteed for 1 year against all manufacturing defects. The code on the side of the ASB must be legible for the warranty to be valid. This warranty does not cover any misuse of or damage to the product.

Disclaimer

The warranty is held to be invalid in the following circumstances: if there are visible cracks or scratches on the product, or invisible electronic damage caused by an impact; full immersion; incorrect installation of batteries, or use of a different brand; purchase of the product more than 1 year prior to the claim.

www.lesjardins.solar
Follow us on social media!



Made in P.R.C.

IMPORTED BY:
Les Jardins Americas
3850 Greenhill Road
Pasadena, CA 91107 - USA

LES JARDINS®
HIGH EFFICIENCY SOLAR LIGHTING

AUTONOMOUS SOLAR BULB ASB500 2.0

USER GUIDE

SAFETY PRECAUTIONS

It is essential to read all safety guidelines and instructions. Not respecting the warnings and instructions set out hereafter may cause fire and/or serious injury, and loss of warranty.

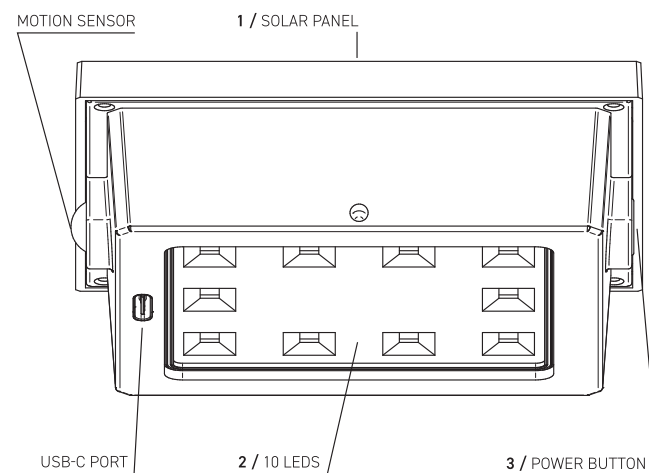
- > Do not point the beam of light towards persons or animals, and never look into the beam of light, even if you are far away from it.
- > Only the manufacturer or specially qualified individuals are authorized to replace the ASB battery.

WARNING! Do not look at the light beam for an extended period: the optical radiation may harm your eyes.

FIRST USE

- Remove the protective transparent film covering the LED panel.
- Install ASB into your Les Jardins lamp
- This product is delivered ready for use, with batteries at 25% of their full charge.
- Stable performance after one week.

INSIDE PANEL



1 / SOLAR PANEL

SunPower : 12 cells
2.4 watts
ETFE coating for greater durability:
- Operating temperature up to a constant 150°C.
- Extremely solid fluoropolymer resin.
- Mechanically resilient coating.

2 / LED TECHNOLOGY

High power LED: 500 LUMENS
Color temperature: 2700K (warm white)

3 / CONTROL BUTTON

*See operating instructions.

ASB HOUSING

Made of ABS, shock resistant, light, and rigid.
Anti-UV treated.
Two 2.6 Ah lithium batteries replaceable,
lifespan of 4 to 6 years.

OPERATING INSTRUCTIONS

ONE BUTTON ONLY FOR THE 3 OPERATION MODES

- 1 - **SMART MODE**, automatic intensity adjustment.
- 2 - **PERSONALIZED MODE**, adjustable from 0 to 500 lumens.
- 3 - **FORCED ON MODE**, adjustable from 5 to 500 lumens.

FIRST SHORT CLICK ON CONTROL BUTTON = MODE 1 - SMART MODE = VISUALIZED BY ONE FLASH

ASB switches on automatically at nightfall. It knows both how much energy it has and how many hours it must provide light for. It adapts its intensity to remain active all night, with greater power generated at the beginning and end of the night. It switches off automatically at sunrise.

- The ASB automatically optimizes its level of brightness in accordance with its battery strength.
- We can therefore guarantee optimum performance based on your location and local weather conditions.

To lock this mode: First enable SMART MODE as instructed above. Then press and hold the control button for 10 seconds until the LEDs flash rapidly. SMART MODE is now locked.

To unlock this mode: Press and hold the control button until the LEDs flash rapidly for 10 seconds. SMART MODE is now unlocked. SMART MODE will still be enabled until another mode is selected.

Motion detector is on by default in this mode.

To switch the motion detector on or off, the ASB must first be switched off. Then press and hold the control button for 10 seconds, until the LEDs flash rapidly = setting confirmed.

SECOND SHORT CLICK ON CONTROL BUTTON = MODE 2 - PERSONALIZED MODE = VISUALIZED BY TWO FLASHES (Adjustable from 0 to 500 lumens)

At nightfall, the ASB automatically switches on whenever a movement is detected. In PERSONALIZED MODE, it switches on to the pre-set brightness level. The ASB switches off automatically at daybreak (standby power pre-set to 0 lumens).

Motion detector on (lighting at 500 lumens for 30 seconds).

DIMMING INFORMATION: pauses at 150 and 300 lm (when setting the level of brightness, the ASB pauses at these levels before continuing after 0.5 s). Press and hold the control button to change the settings. To reverse the direction of the power level, take your finger off the control button, then press and hold again.

Motion detector is on by default in this mode.

To switch the motion detector on or off, the ASB must first be switched off. Then press and hold the control button for 10 seconds, until the LEDs flash rapidly = setting confirmed.

THIRD SHORT CLICK ON ADJUSTMENT BUTTON = MODE 3 - FORCED ON MODE = VISUALIZED BY THREE FLASHES

(Adjustable from 5 to 500 lumens)

The ASB switches on at a pre-set level of 500 lumens, with 5h to 200h of lighting autonomy when fully charged, depending on the level of brightness selected. Motion detector off (the ASB remains on until the batteries have run down).

DIMMING INFORMATION: pauses at 150 and 300 lm (when setting the level of brightness, the ASB pauses at these levels before continuing after 0.5 s). Press and hold the control button to change the settings. To reverse the direction of the power level, take your finger off the control button, then press and hold again.

FOURTH SHORT CLICK ON THE CONTROL BUTTON = OFF

USEFUL INFORMATION

When the ASB flashes (rapidly three times every 10 seconds), it means that the battery is more than 75% charged.

If the battery is completely empty, the ASB will switch itself back on at the last recorded setting as soon as it has sufficient charge.

For optimum use, do not cover the solar panel.

TECHNICAL FEATURES

BATTERY LIFE

5H00 AT 500 LUMENS
10H30 AT 250 LUMENS
21H00 AT 125 LUMENS

TIPS AND SPECIAL FEATURES

- SOLAR CHARGE: 8 hours in optimal conditions.

While charging, 3 short flashes every 10 seconds show that the battery is 75% full.

- USB charge: 7 hours

Shorts flashes every 10 seconds show the state of charge:

- 1 flash 25% or below
- 2 flashes 25% up to 75%
- 3 flashes 75% or above

BATTERIES

- Two 2.6 Ah lithium-ion batteries (replaceable through our after-sales service).
- Lifespan of 4 to 6 years.

