

RAY MINI

12-Jun-2019

1.0

PAR16 max. 15W | GU10 | 100-240VAC | 50-60Hz
 CE IP20 0.9m

aluminium	
white texture	300220W0
aluminium brushed	300220L0
copper	300220P0
black texture	300220B0
wood	
walnut wood	300220WN0

OPTIONAL
 for PAR16 lamps see our catalogue

2.0

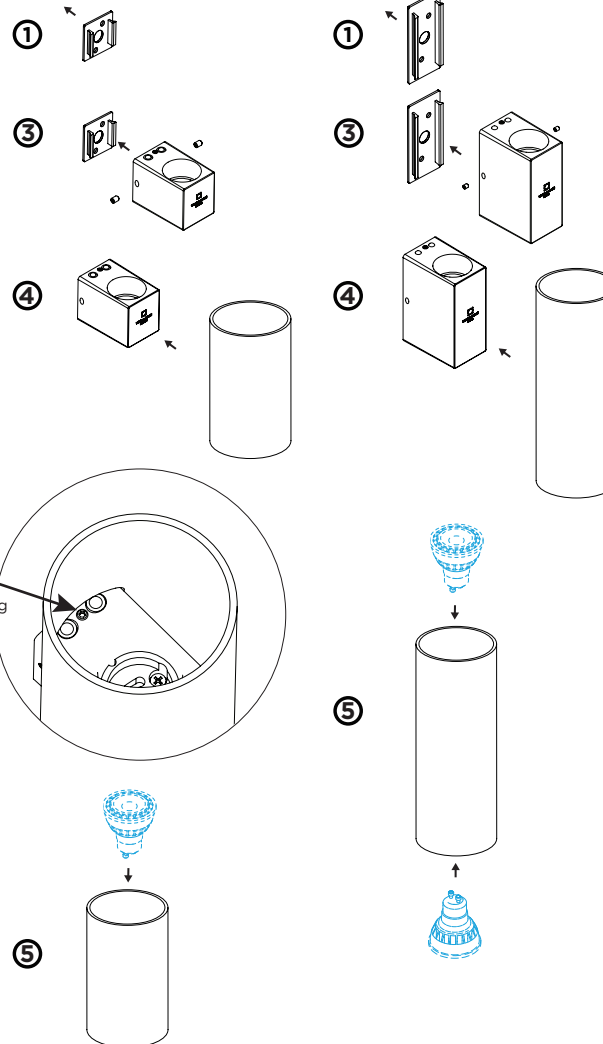
2xPAR16 max. 15W | GU10 | 100-240VAC | 50-60Hz
 CE IP20 0.9m

aluminium	
white texture	301220W0
aluminium brushed	301220L0
copper	301220P0
black texture	301220B0
wood	
walnut wood	301220WN0

OPTIONAL
 for PAR16 lamps see our catalogue

RAY MINI 1.0

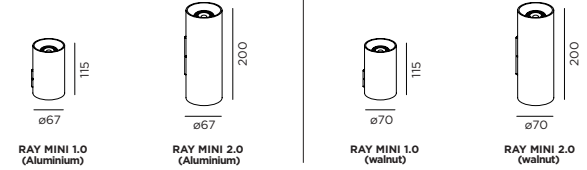
RAY MINI 2.0



FOR OPTIONAL LOCKING:

* Lock the cover by unscrewing the grub screw app. 3mm. Then the cover is stable.

DIMENSIONS



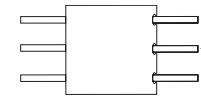
MOUNTING INSTRUCTION

- 1 Mount the base plate on the wall

POWER CONNECTION

- 2 Connect the power supply.

Interior: STANDARD version



- 3 Mount inset on the back plate with side screws

- 4 Click cover over the inset

* For optional locking, unscrew the grub screw app. 3mm. The cover is now stable.

- 5 Mount the bulb.

RAY MINI 1.0

RAY MINI 2.0

