



# MUSE DOUBLE LIGHT acoustic suspended

091-122153BF

PROJECT

TYPE

NOTES

QUANTITY

DATE

## GENERAL

Ceiling

Suspended

anthracite

3470 lm/m

IP20

4160 lm

## LED

3000 K

CRI  $\geq 80$

L90 / 50000 h

initial  $\leq 3$  MacAdam

## OPTICAL

UGR  $< 19$

$\geq 65^\circ < 1500$  cd/m<sup>2</sup>

## PHYSICAL

Cable 1500 mm

length 1600 mm

width 646 mm

height 700 mm

9.5 kg

## ELECTRICAL

DALI-2

41 W

101 lm/W

1 DALI Addr.

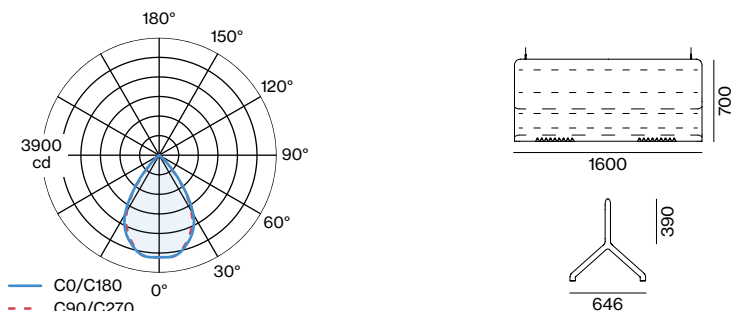
PC1 220-240V

34 W/m



Luminaire body made of high-quality, self-supporting polyester fleece with sound absorbing properties, consisting of 50% recycled PET; high-quality visual and tactile surface, anthracite; colour may deviate; constructed of 2 shells to form cavities that improve acoustic performance; large sound absorbing surface; suspended luminaire with 1500mm cable suspension; with integrated tool-less suspension height adjustment; spring clip attachment to the luminaire; freely positionable; incl. transparent feed; optimised for the illumination of 2 office workstations opposite each other; light inset made from extruded profile for improved thermal management; light colour 3000 K; Binning initial  $\leq 3$  MacAdam; CRI  $\geq 80$ ; min. 90% of luminous flux after 50000 operating hours; energy efficient LEDs with high CRI; high-quality, chromed reflector with faceted design; blind covers in gray; UGR  $\leq 19$ ; VDU compatible workplace luminaire according to DIN EN 12464-1; luminance above  $65^\circ \leq 1500$  cd/m<sup>2</sup>; degree of protection IP20; PC1 220-240V; internal wiring in light halogen free; incl. DALI-2 converter;

## Light Distribution



['091-122153BF'] The technical data represent rated values for an ambient temperature of 25°C. The data values for the luminous flux are initially subject to a tolerance of +/- 10%, those for the electrical connected load are initially subject to a tolerance of +/- 10%, and those for the colour temperature are initially subject to a tolerance of +/- 150 K. No liability is assumed for typographical or printing errors. The general terms and conditions of XAL GmbH apply.  
© XAL GmbH · Auer-Welsbach-Gasse 36 · 8055 Graz · Austria · www.xal.com



# MUSE DOUBLE LIGHT acoustic suspended

091-122153BF

## Circuit Breaker Types

Automatic Circuit Breaker Type	Number of Fixtures
B10	7
B13	10
B16	12
B20	14
C10	10
C13	20
C16	24
C20	28

## Maintenance Factors

Operating Time [h]	10 000	20 000	30 000	40 000	50 000
LLMF	0.98	0.95	0.93	0.91	0.9
LSF	1	1	1	1	1

MF	$LMF \times RSMF \times LLMF \times LSF$	RSMF <sup>a</sup>	Room Surface Maintenance Factor
MF	Maintenance Factor	LLMF	Lamp Lumens Maintenance Factor
LMF <sup>a</sup>	Luminaire Maintenance Factor	LSF	Lamp Survival Faktor

<sup>a</sup> According to "CIE 97, Maintenance of indoor electric lighting systems", 2005, ISBN 3-900-734-34-8. The values must be determined by the planner.