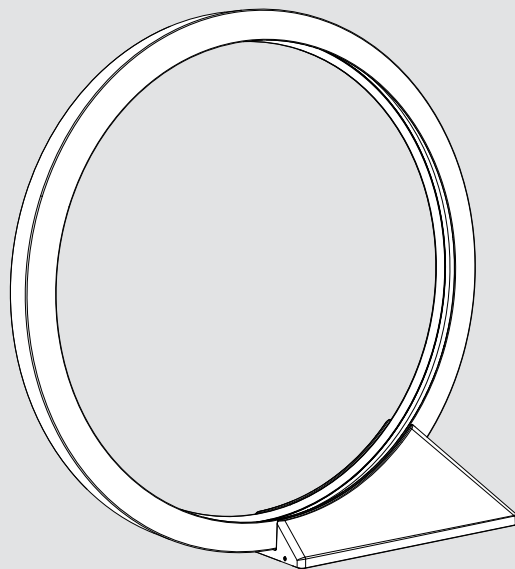


# Artemide®

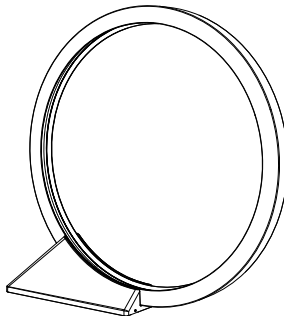
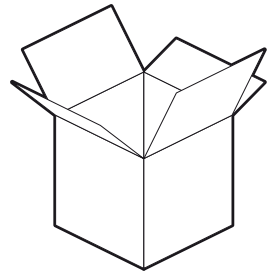
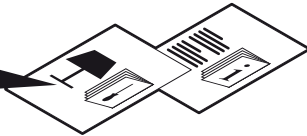
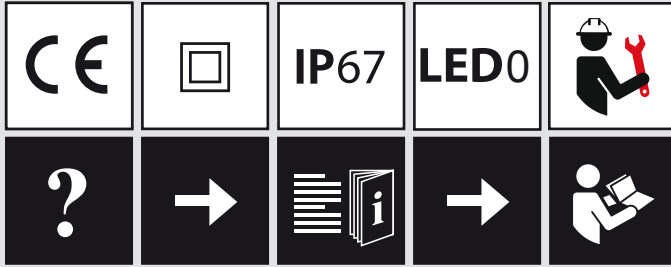
## “O” 45

design  
**Elemental**

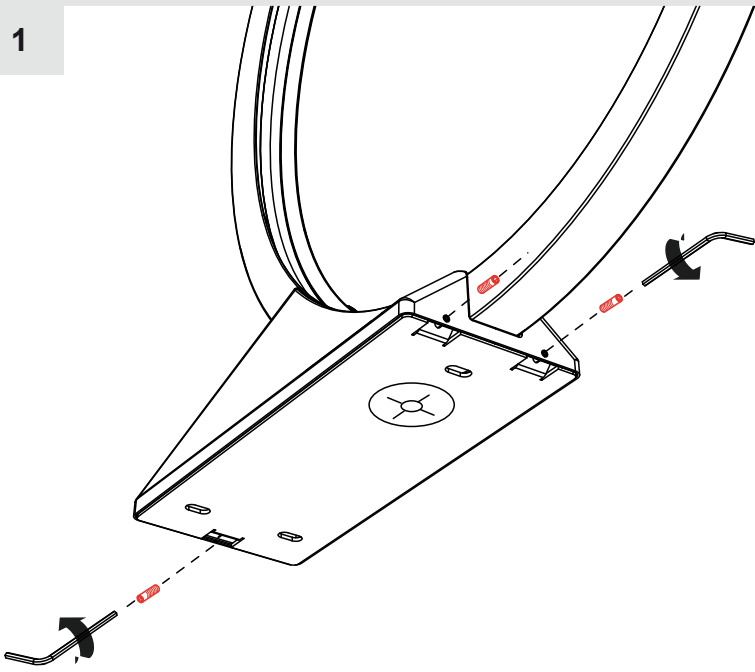




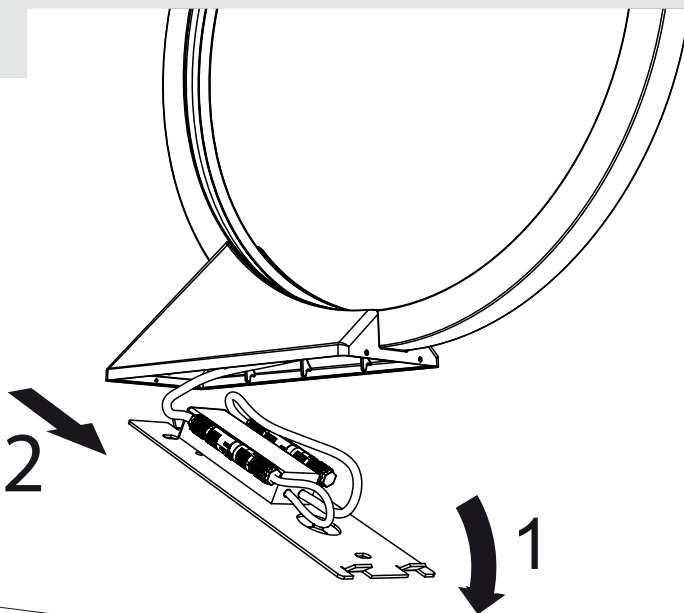
i

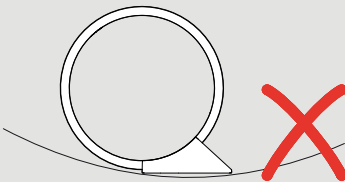
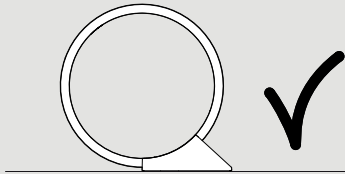
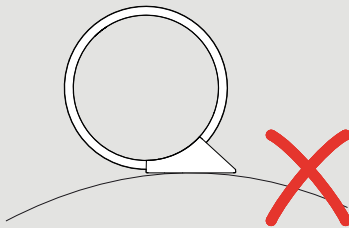
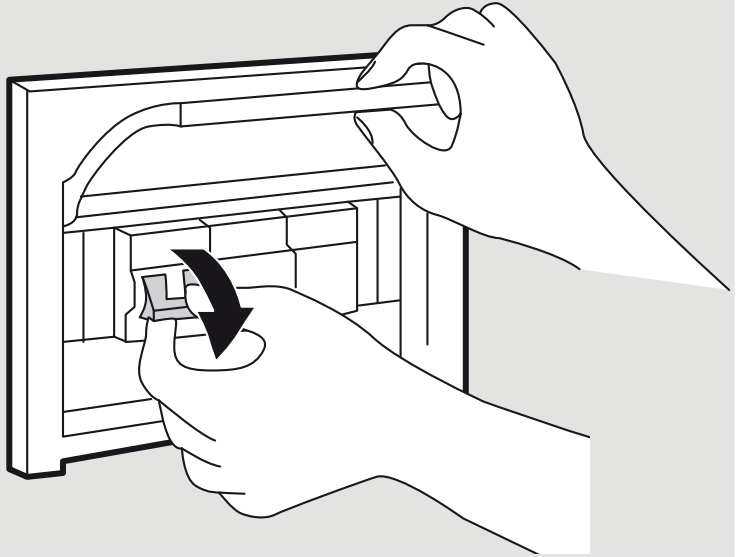


1

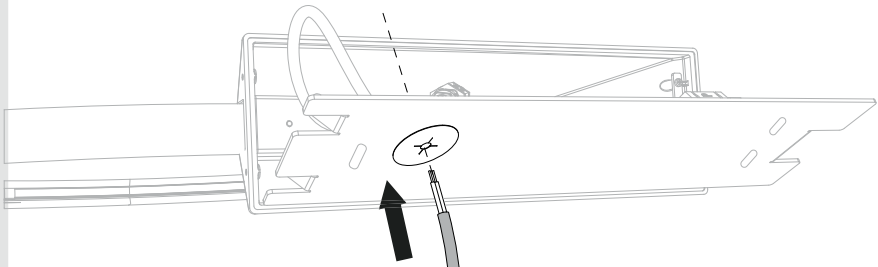


2

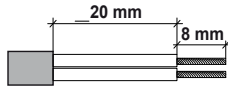




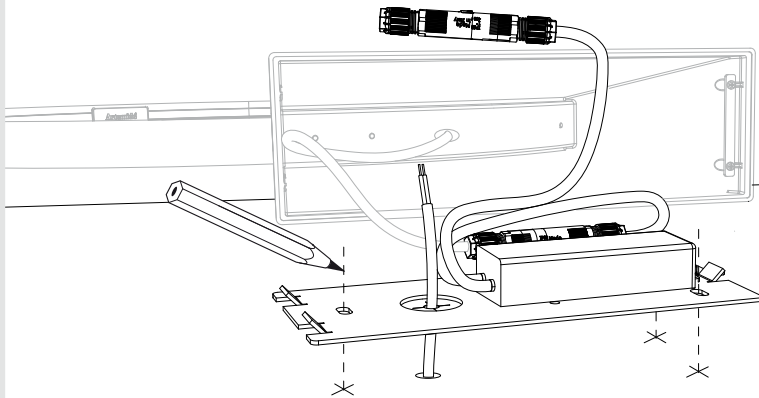
3



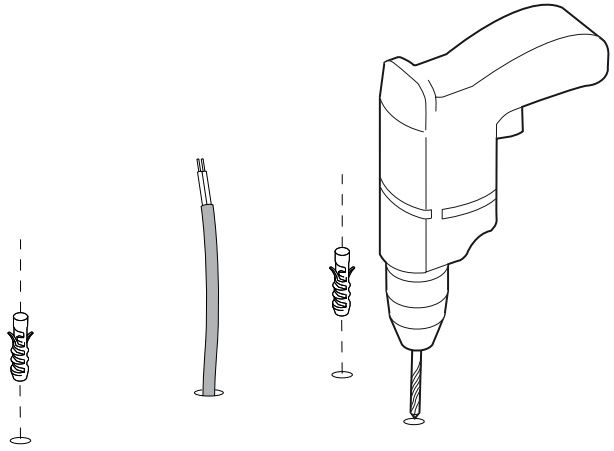
H05RN-F  
H07RN-F  
Ø 5,8 - 6,9 mm



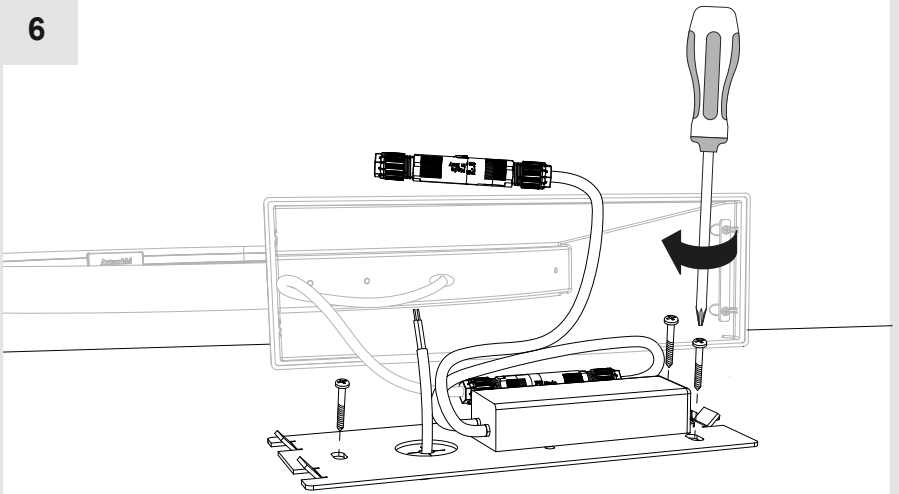
4



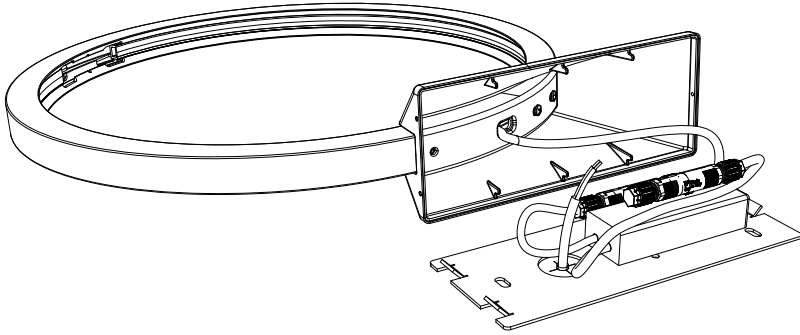
5



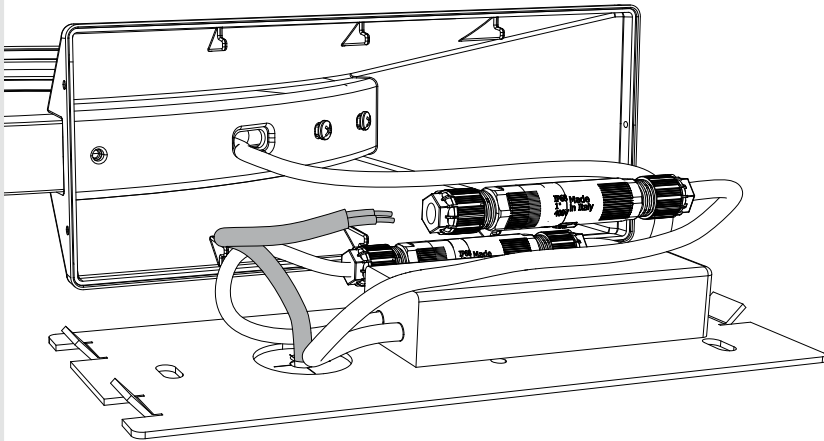
6

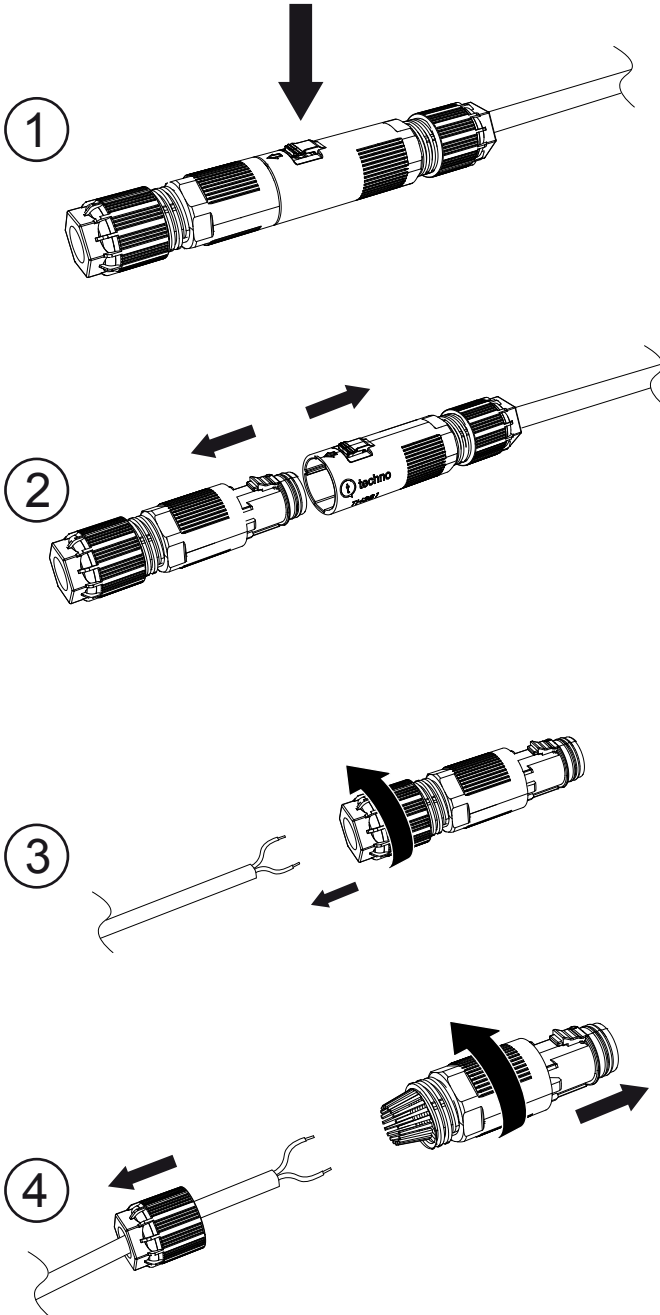


7

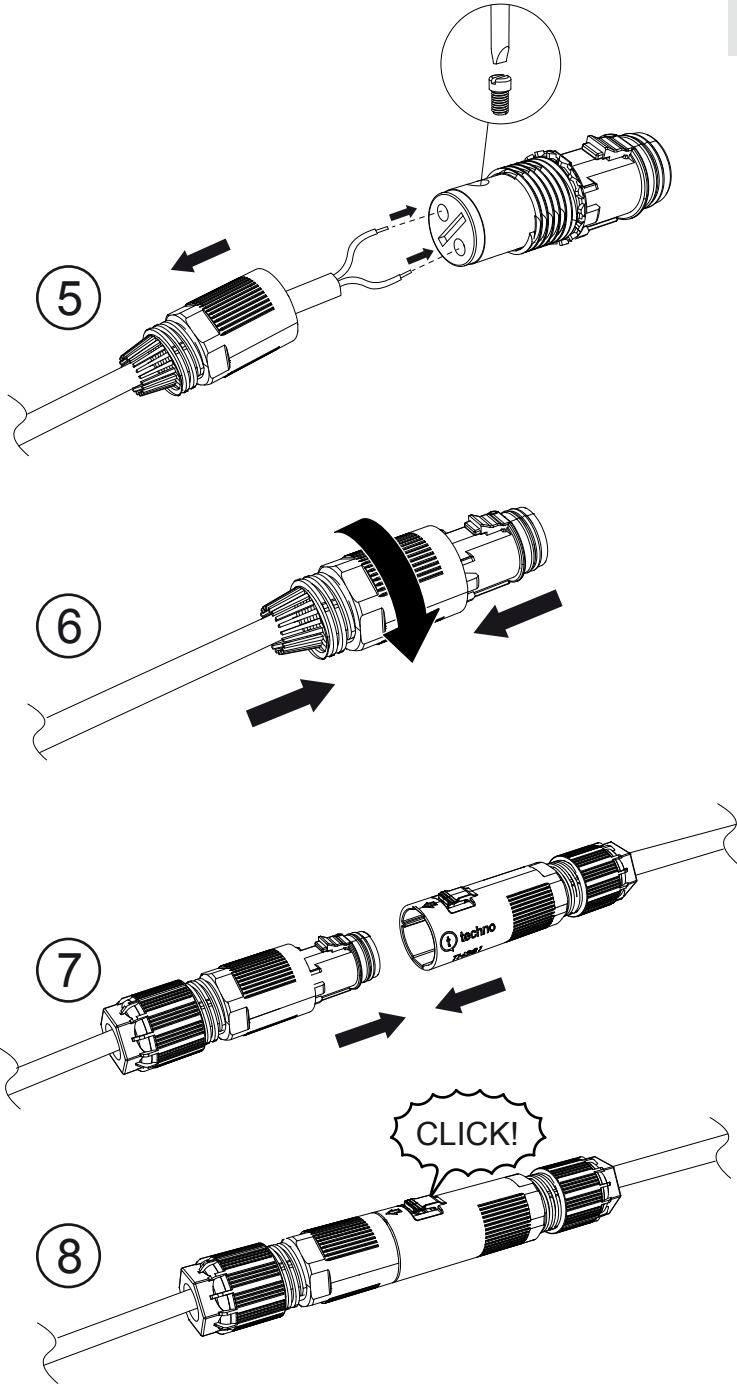


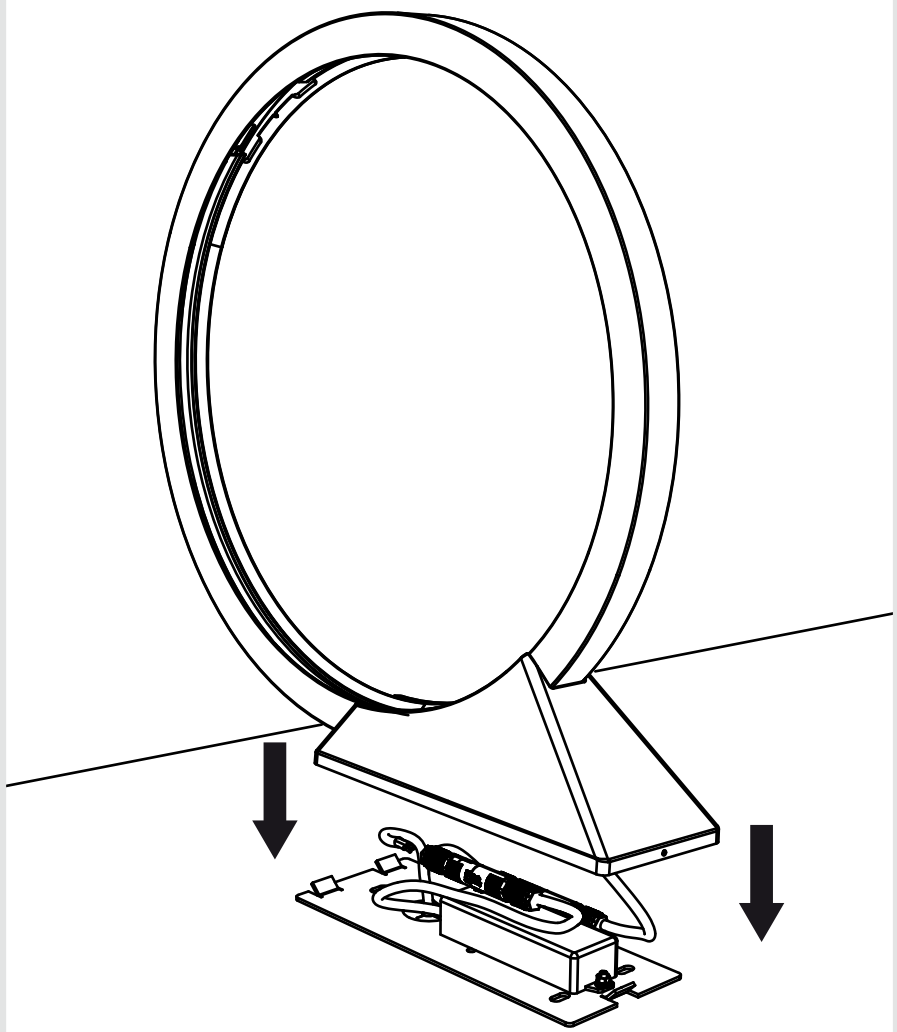
8

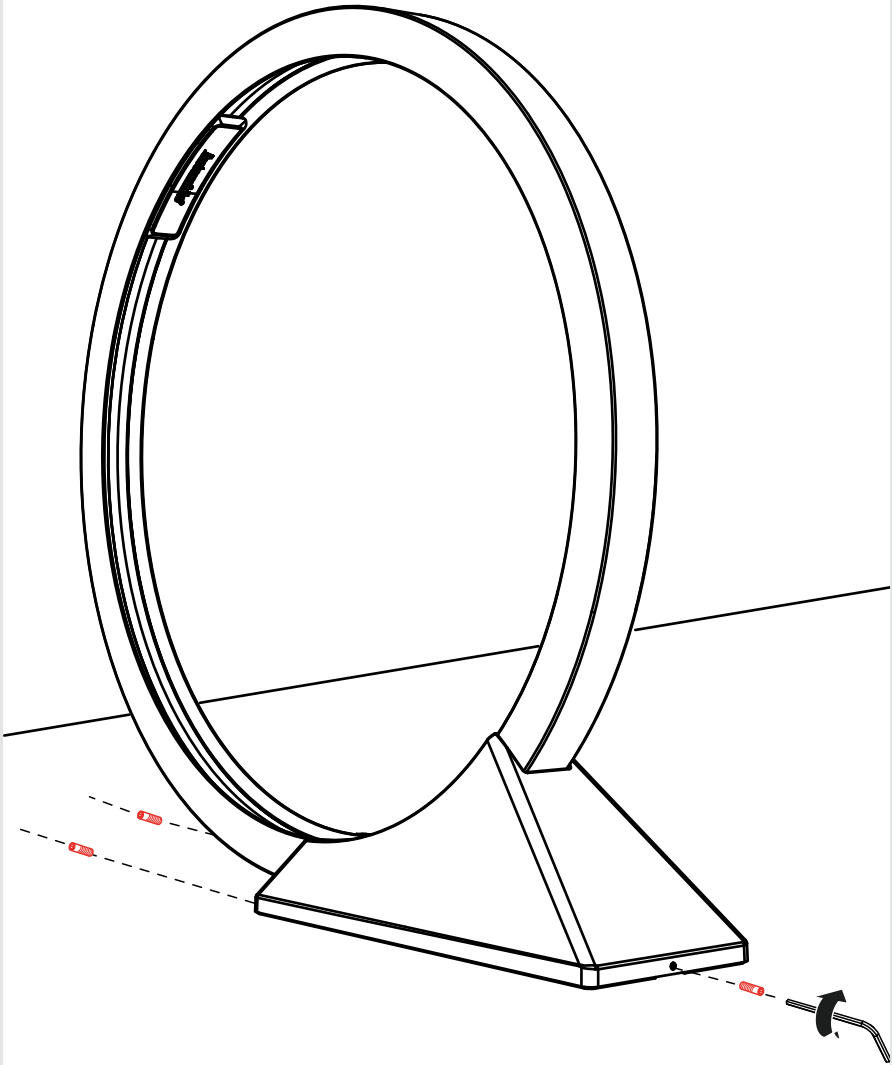


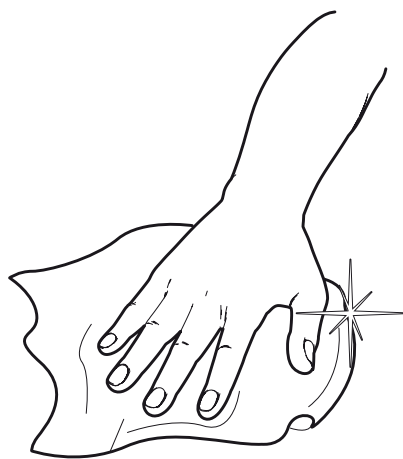
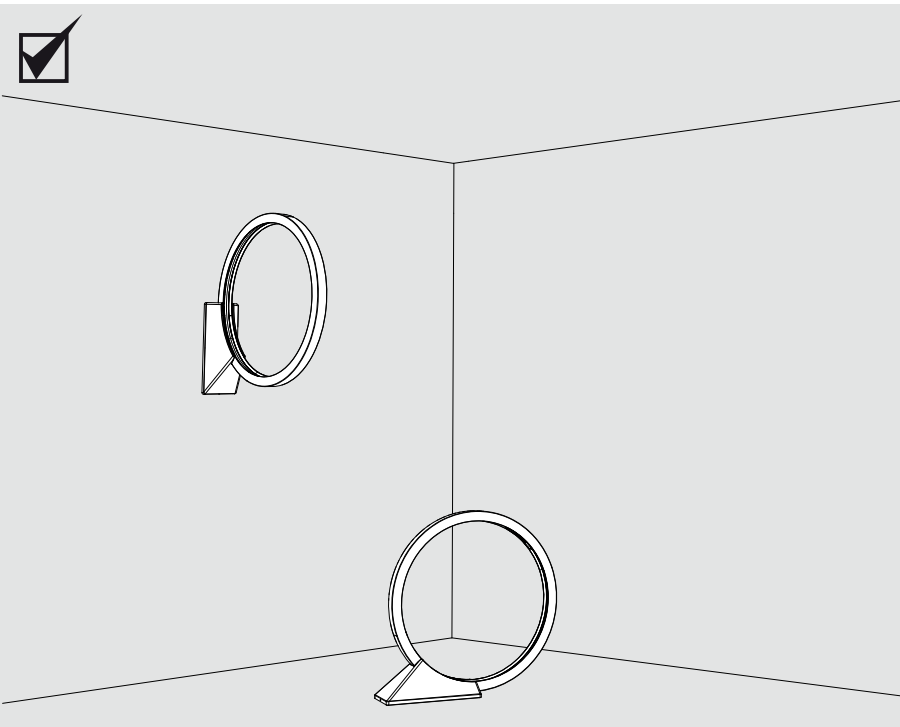


















**Artemide**<sup>®</sup>  
ARCHITECTURAL



## **Artemide**

via Bergamo, 18  
20010 Pregnana M.se (MI)  
ITALIA

tel. +39 02 935 181  
fax +39 02 935 90 254  
fax +39 02 935 90 496

[www.artemide.com](http://www.artemide.com)

VAT IT00846890150

cod. Y513001291