

**Safety Instructions**

1, 2, 3, 4, 5, 6, 7, 9, 10, 11, 12,  
13, 14, 17, 18, 19, 20, 21, 25,  
26, 29, 32, 33, 34



**Info Hotline**



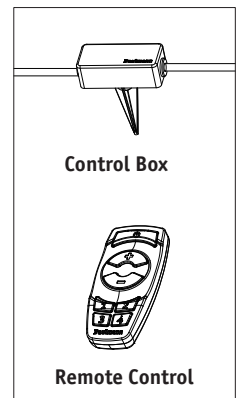
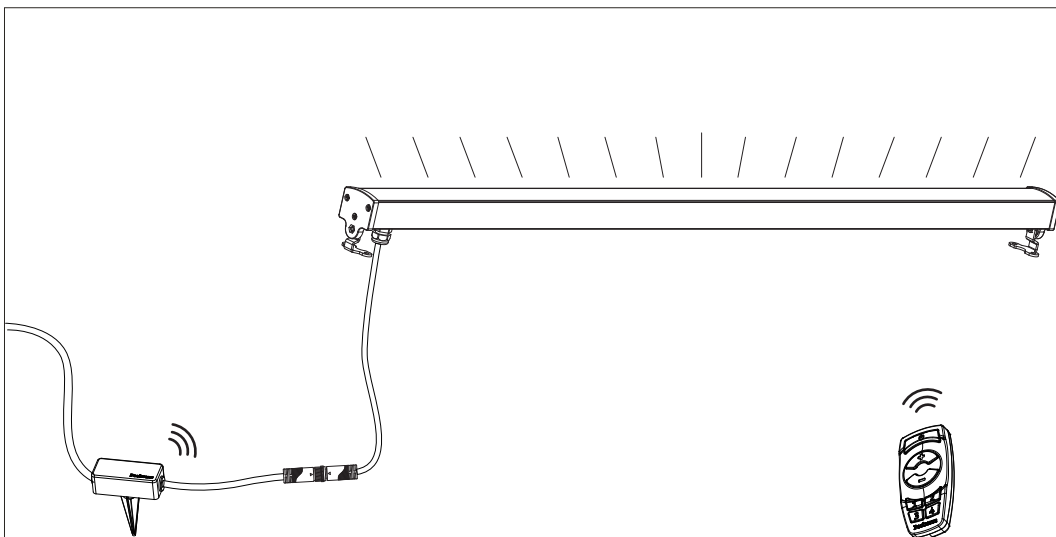
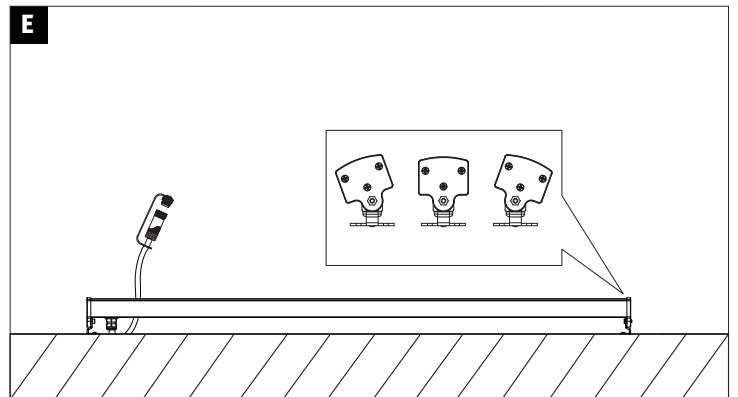
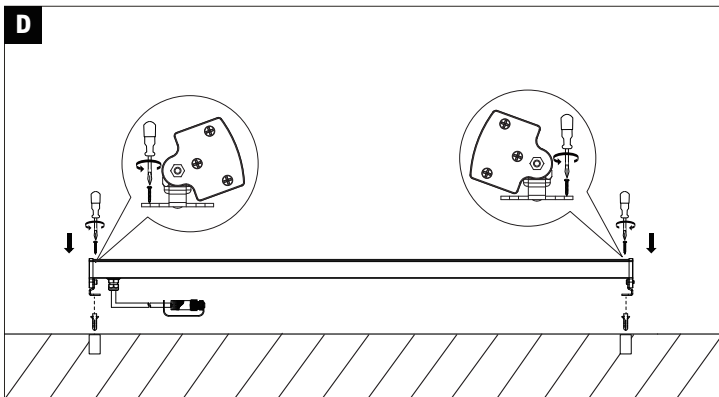
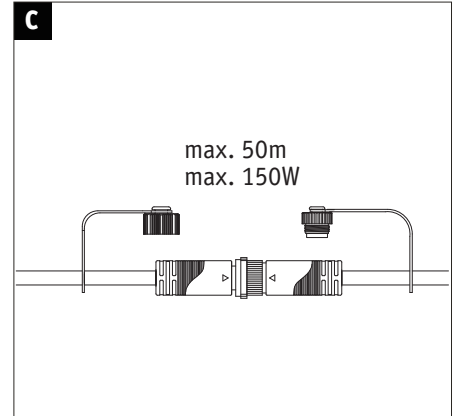
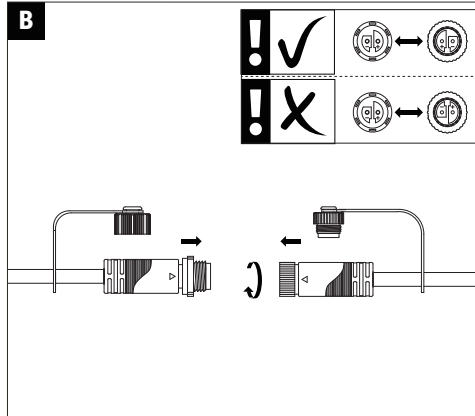
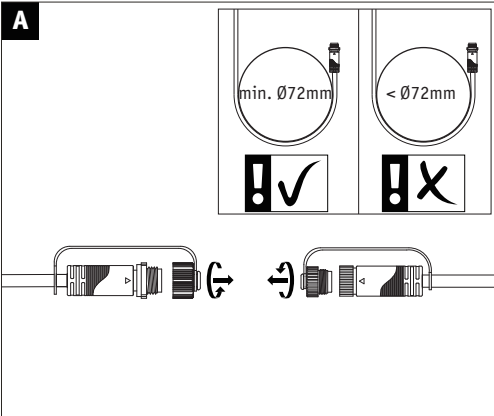
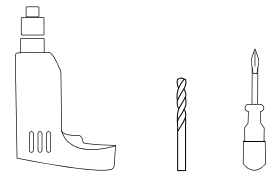
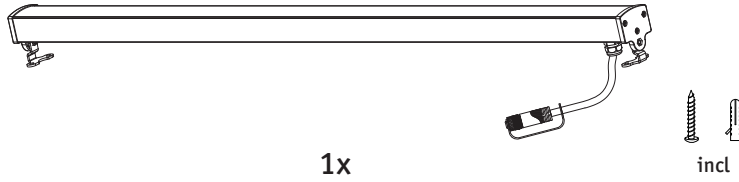
**+49 (0) 5041 998 389**

Mon. - Do. 7<sup>00</sup> - 20<sup>00</sup>  
Fr. 7<sup>00</sup> - 17<sup>00</sup>

Paulmann Licht GmbH  
Quezinger Feld 2  
31832 Springe  
Germany

www.paulmann.com

Art.-Nr.: **939.22**  
(+MA 326) PH01/17



not incl.

Paulmann  
Art.-Nr. 180.11