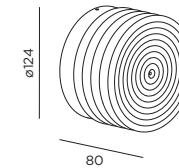


## DIMENSIONS



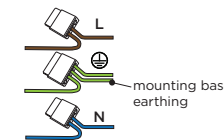
## MOUNTING INSTRUCTION

**1** Remove the mounting base from the fixture by loosening the socket screws.

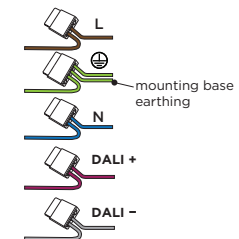
**2** Mount the base on the wall with screws (screws are not included).

### 3 POWER CONNECTION

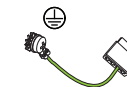
Connect to 220-240V.



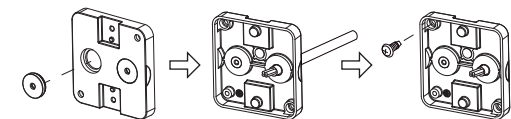
Connect to DALI.



Connect the earth cable.



Always use a matching grommet based on the used 220-240V cable and the corresponding type in the overview table.



Push the grommet into the back plate.

Pull the cable through the back plate.

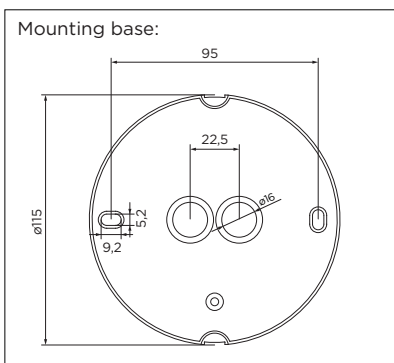
Mount the back plate on the wall.

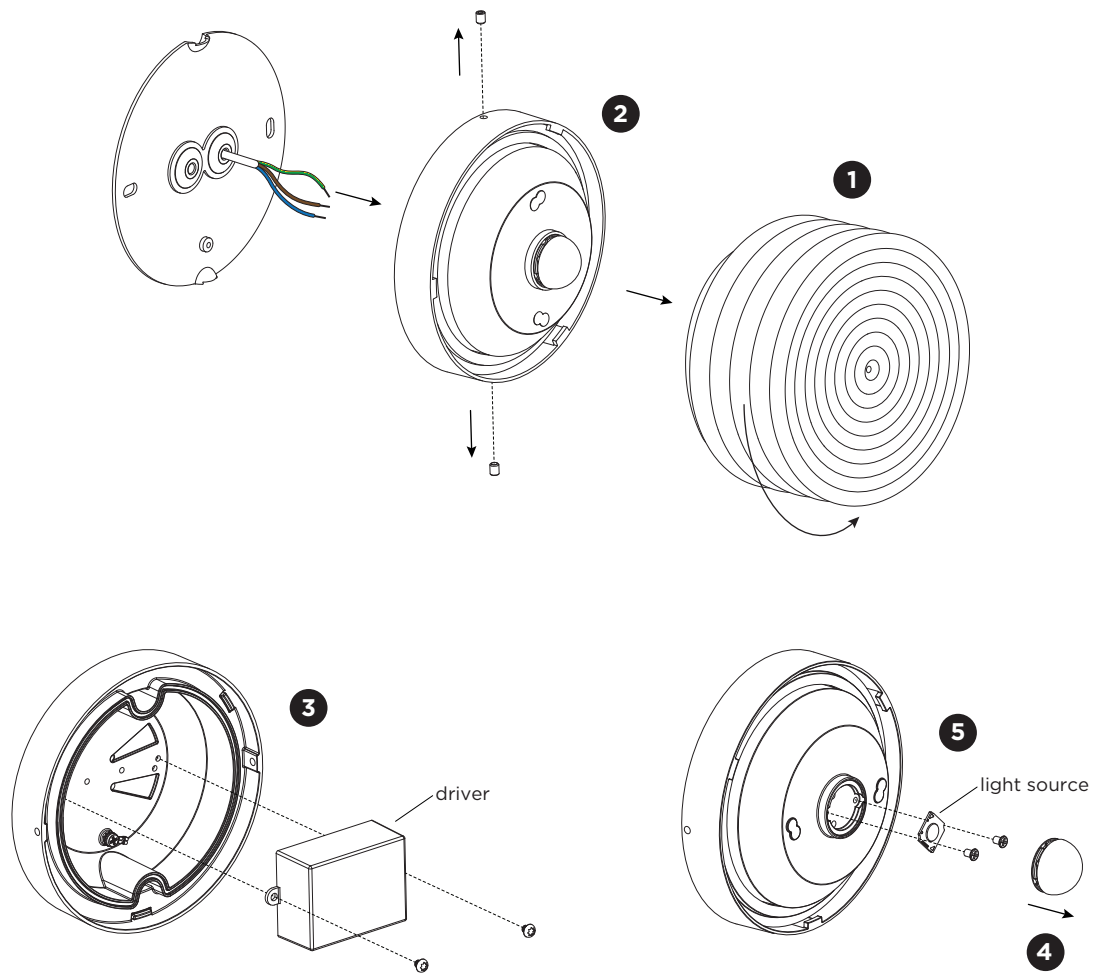
Always use a matching grommet in the overview table.

	A	B	C	D
CABLE				
TYPE	ROUND H05RN-F H07RN8-F H07RN-F	ROUND H05RN-F	ROUND	ROUND
OUTSIDE Ø	min 6.8mm max 8.9mm	min 5mm max 6.8mm	min 1.5mm max 2.6mm	min 1.5mm max 2.6mm
CONDUCTION SECTION	2or3x 0.75mm <sup>2</sup> 2or3x 1.0mm <sup>2</sup> 2or3x 1.5mm <sup>2</sup>	2or3x 0.75mm <sup>2</sup> 2x 1.0mm <sup>2</sup>	0.75mm <sup>2</sup> 1.5mm <sup>2</sup>	0.75mm <sup>2</sup> 1.5mm <sup>2</sup>

**4** Fix the luminaire on the base with the socket screws.

**5** Put the glass on the base and turn it until fixed.

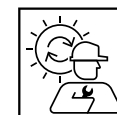




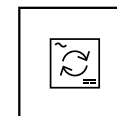
## DISMOUNTING AND RECYCLING INSTRUCTIONS

### Light source & driver

- 1 Remove the glass by turning it counter clockwise and pulling.
- 2 Loosen the socket screws to remove the fixture from the mounting base.
- 3 Disconnect the wires and unscrew the driver to remove it.
- 4 Remove the lens by pulling.
- 5 Unscrew the light source to remove it.



The light source is replaceable by Wever & Ducré or by a professional with explicit authorisation. For more information please contact your local Wever & Ducré customer service point.



The driver can be replaced by the end user.



This luminaire contains a light source with the energy class D.



Use green electricity to light up your luminaire.