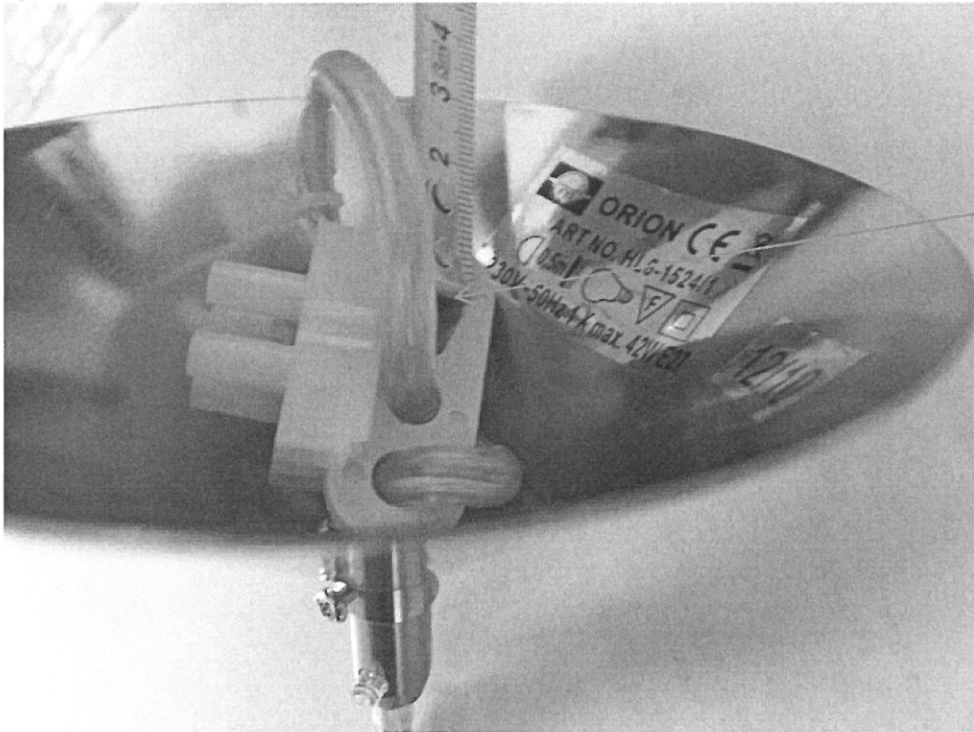


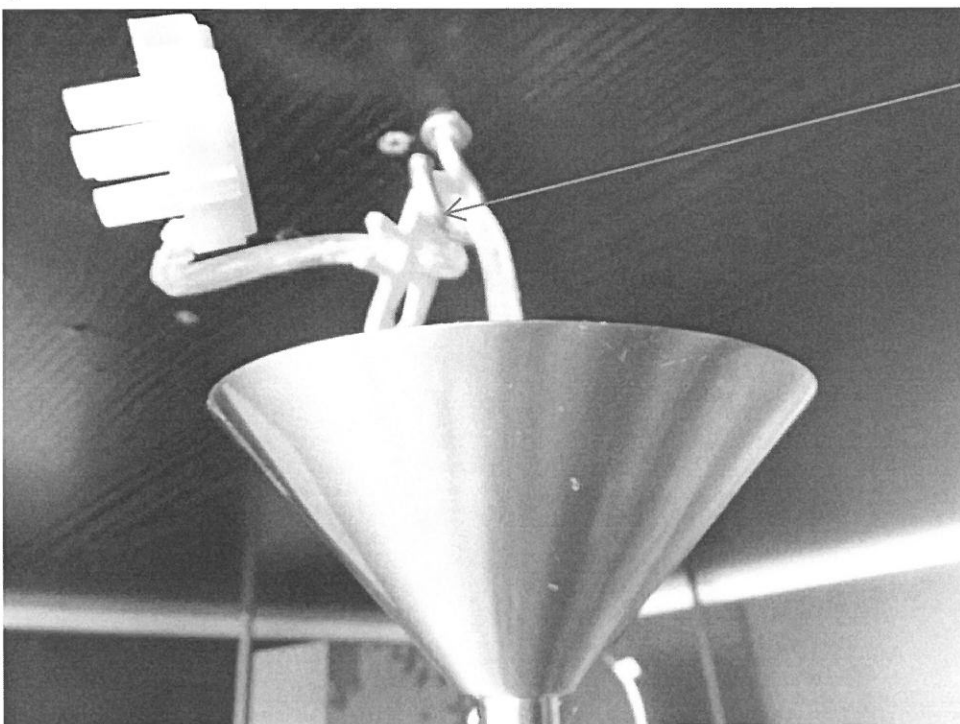
Fixing HL6-1524/1 und HL6-1525/1

a) Haken < 20mm



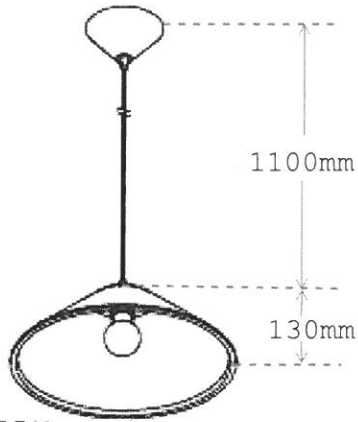
hook

b) Haken > 20mm

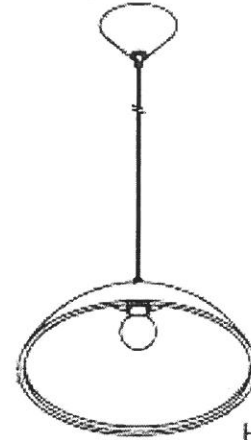


hook

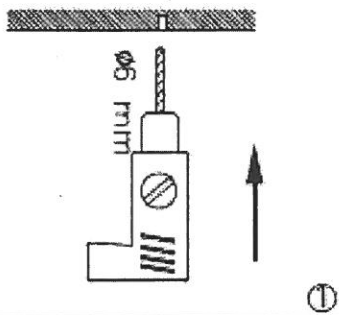
Installation / Montageanweisungen



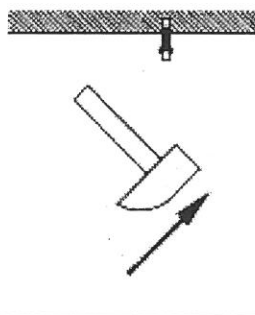
HL 6-1525/1



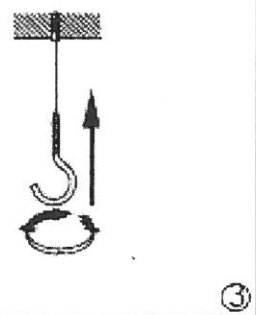
HL 6-1524/1



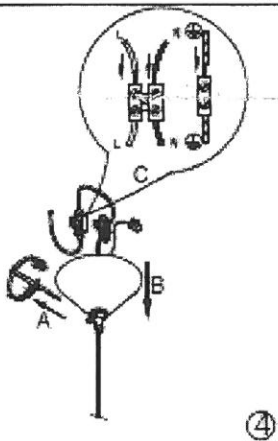
①



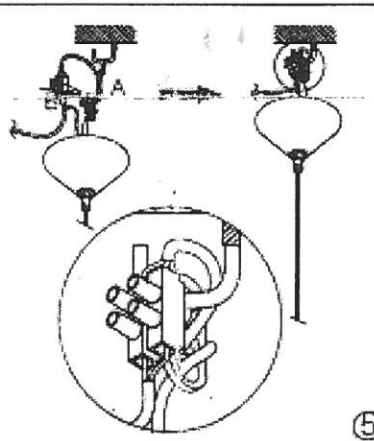
②



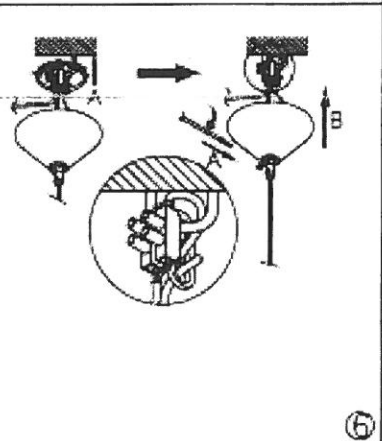
③



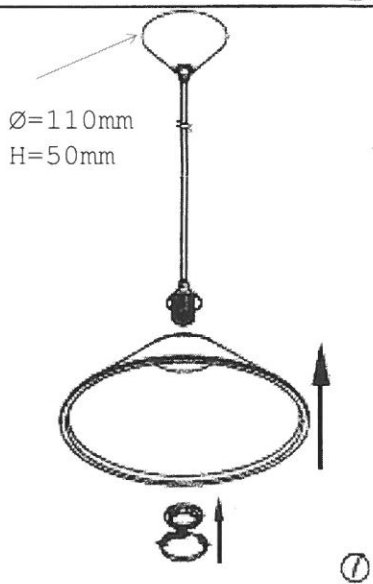
④



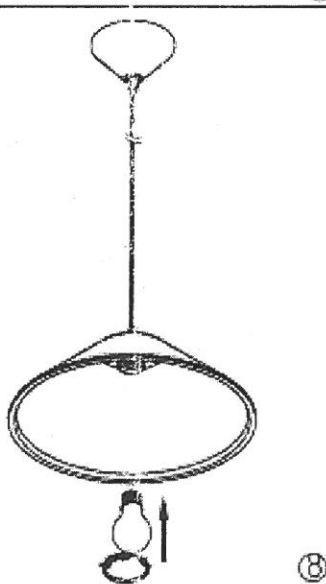
⑤



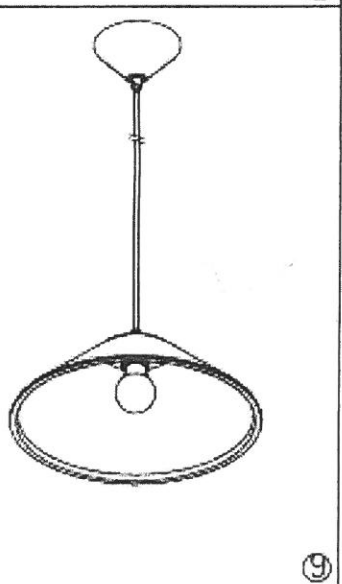
⑥



⑦



⑧



⑨