

BUSTER+PUNCH

LONDON

[product.

FORKED PENDANT / GLOBE

[type. **PENDANT LIGHT.**]

[detail. **FORKED.**]

[process. **ROUGH-CAST.**]

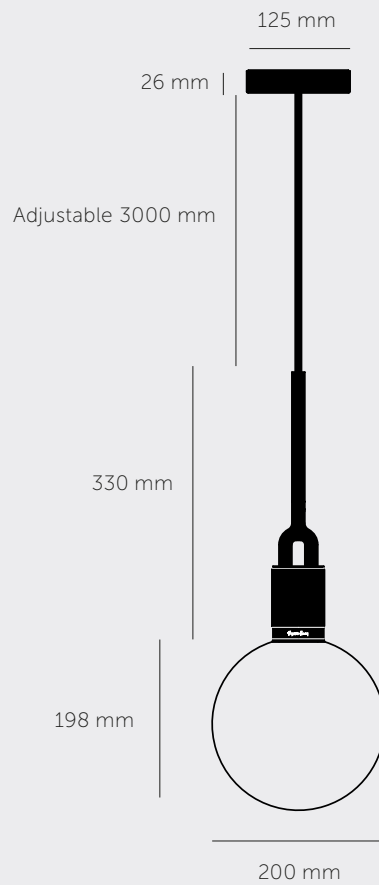
[region. **UK + EUROPE + AUSTRALIA.**]

A light pendant made from cast and machined metal, featuring our signature diamond-cut linear knurl pattern and fork detailing, refined by hand. It comes with a handblown glass globe.



[size. **MEDIUM.**]

[info. **MEASUREMENTS.**]



[info. **SPECIFICATIONS.**]

Pendant light

1x solid metal lamp holder

Adjustable 3000 mm cable

E27 / 220-240 VAC / IP20

Max 7.5W

Bulb included

CB Certified / Class 1

1x medium hand-blown glass globe

E27 compatible

[info. **FINISH & SKU NUMBERS.**]

[finish.]

[EU + ANZ.]

[UK.]

  Steel / Opal	RFP-843107	GFP-843107
  Brass / Opal	RFP-823097	GFP-823097
  Gun Metal / Opal	RFP-873117	GFP-873117
  Steel / Smoked	RFP-853109	GFP-853109
  Brass / Smoked	RFP-493099	GFP-493099
  Gun Metal / Smoked	RFP-883119	GFP-883119

[info. **CARE INSTRUCTIONS.**]

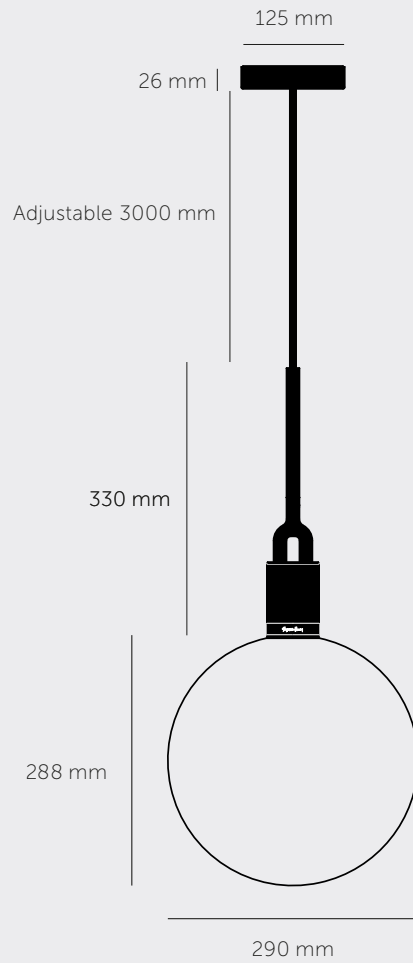
Wipe with damp cloth with no loose hairs, avoid using any chemicals. All finishes are prone to agEing.

[please. **NOTE.**]

DISCLAIMER: Always consult a trade professional when installing this light. Buster + Punch is not responsible for the usage or feasibility of installation requirements. This product is not suitable for damp or wet environments.

[size. **LARGE.**]

[info. **MEASUREMENTS.**]



[info. **SPECIFICATIONS.**]

Pendant light

1x solid metal lamp holder

Adjustable 3000 mm cable

E27 / 220-240 VAC / IP20

Max 7.5W

Bulb included

CB Certified / Class 1

1x large hand-blown glass globe

E27 compatible

[info. **FINISH & SKU NUMBERS.**]

[finish.]

[EU + ANZ.]

[UK.]

  Steel / Opal	RFP-843108	GFP-843108
  Brass / Opal	RFP-823098	GFP-823098
  Gun Metal / Opal	RFP-873118	GFP-873118
  Steel / Smoked	RFP-853110	GFP-853110
  Brass / Smoked	RFP-493100	GFP-493100
  Gun Metal / Smoked	RFP-883120	GFP-883120

[info. **CARE INSTRUCTIONS.**]

Wipe with damp cloth with no loose hairs, avoid using any chemicals. All finishes are prone to ageing.

[please. **NOTE.**]

DISCLAIMER: Always consult a trade professional when installing this light. Buster + Punch is not responsible for the usage or feasibility of installation requirements. This product is not suitable for damp or wet environments.