

Instructions



Journey SHY2

Signe Hytte

2018

Congratulations with your new Journey lamp, designed in 2018 by Signe Hytte. We hope you will enjoy using this product and follow these instructions to ensure correct installation. If you have any questions or comments, please do not hesitate to contact us by mail on:

info@andtradition.com

Journey SHY2

Signe Hytte

2018

Please read these instructions carefully and retain them for future reference to ensure that the product is used correctly. For your own safety, please study each step of this instruction manual first. &Tradition is not responsible for any faults or damages caused by not following these instructions correctly. Do not modify this product in any way.

Content

- A Lamp
- B Wall bracket
- C Glass diffuser
- D 2 x Hex screws

Tools needed

- Bulb type G9

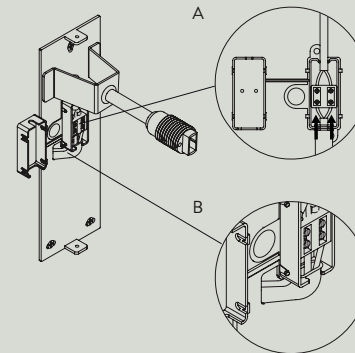
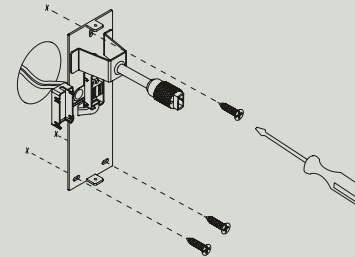
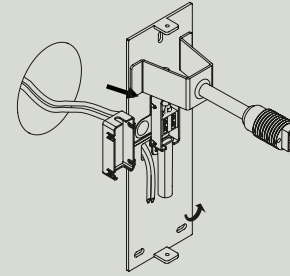
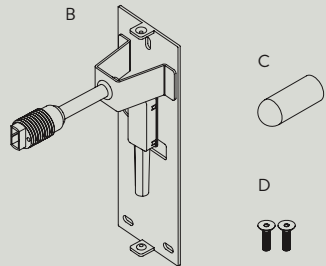
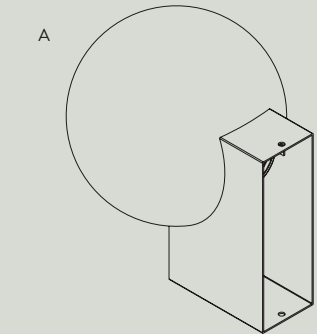
Safety precautions

- Dispose of plastic bag from packaging and do not allow children to play with it.
- Keep product well out of children's reach.
- The lamp is only intended for interior use.
- Consult a professionally qualified electrician if in any doubt.
- Do not place the cable within reach of small children or anywhere there is a risk of falling over it.

Cleaning instructions

- Wipe surface of lamp with a soft, damp sponge or cloth, and wipe immediately with a dry cloth.
- Do not use any abrasive cleaning tools such as steel wool, scouring sponges or stiff brushes.
- Never use strong cleaning agents such as white spirit, turpentine, household glass cleaner or cellulose thinners.

Mirror colour: Cleaning of stainless steel should be done only by using a cleaning detergent specifically for stainless steel. Follow the instructions on the packaging. Cleaning agents not developed specifically for stainless steel may permanently damage the surface of the stainless steel and should never be used. For daily care, please only use a dry soft cloth to clean.



Step 1

Locate the supply cable and pass it through the hole of the wall bracket. Pass the cable through the black plastic tube and into the connector box.

Step 2

Mark the holes in the desired position and mount the metal bracket securely to the wall with appropriate wall plugs and screws. Make sure the electrical cable in the black tube is passing freely through the hole in the metal plate.

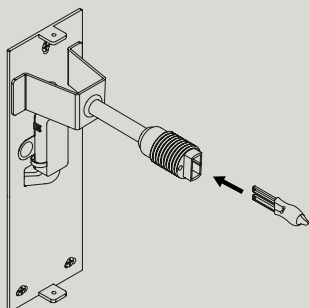
Step 3

Connecting the wires: (detail A)

Cut off the excess cord using a cable cutter so that a minimum of 80 mm cord is left to reconnect to the cable connector. Peel back the outer cable using a cable stripper to expose 30 mm of the blue and brown inner cables. Strip the inner cable to expose 5 mm of the wire. Connect the blue supply wire to the blue fixture wire. Connect the brown supply wire to the brown fixture wire. Close the cap of the terminal connector. Make sure that the black plastic tube of the connector box is placed passing through the hole in the metal bracket to assure cable protection. (detail B)

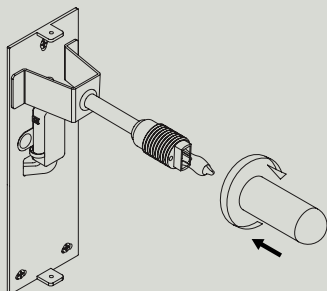
For indoor use only
Maximum 33W | G9 bulb not included

CE   IP20 



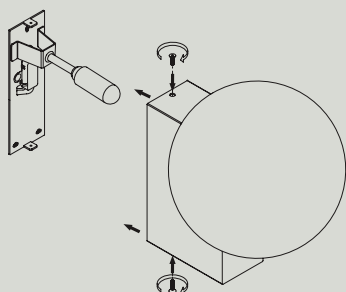
Step 4

Install the light bulb by pushing it carefully into the socket.



Step 5

Install the glass diffuser by attaching it onto the thread of the bulb socket.



Step 6

Place the lamp carefully on the wall bracket. Insert and tighten the screws to fix the lamps to the wall bracket. The lamp is now ready to use.