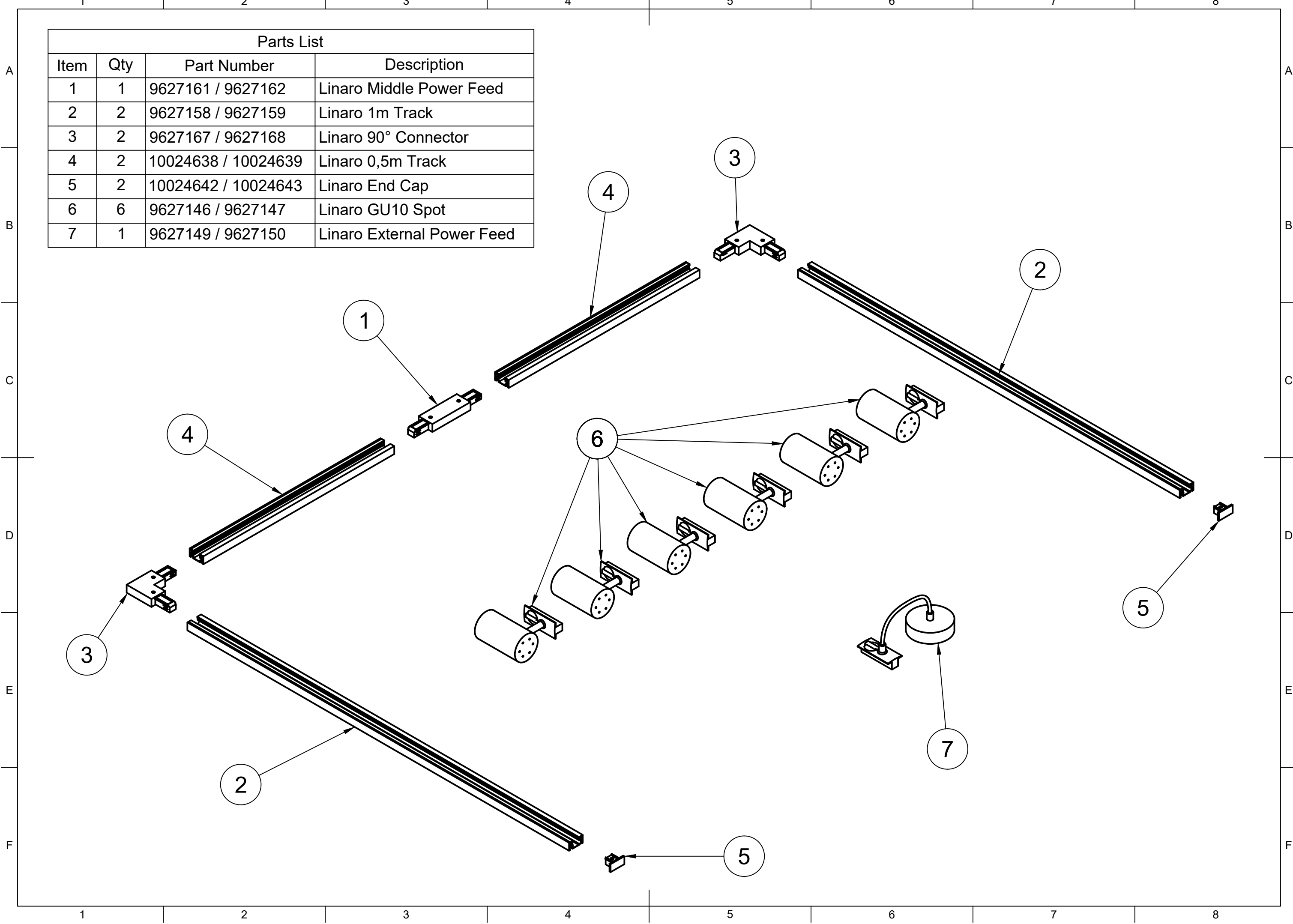
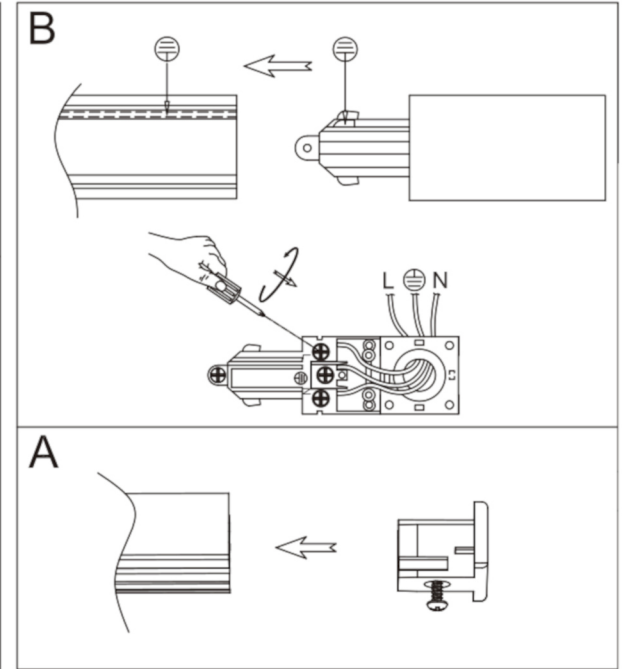
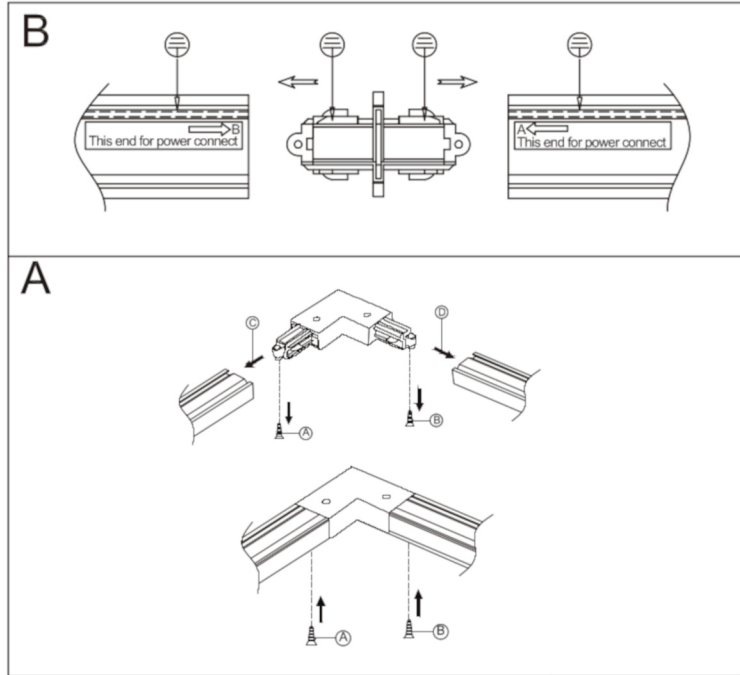
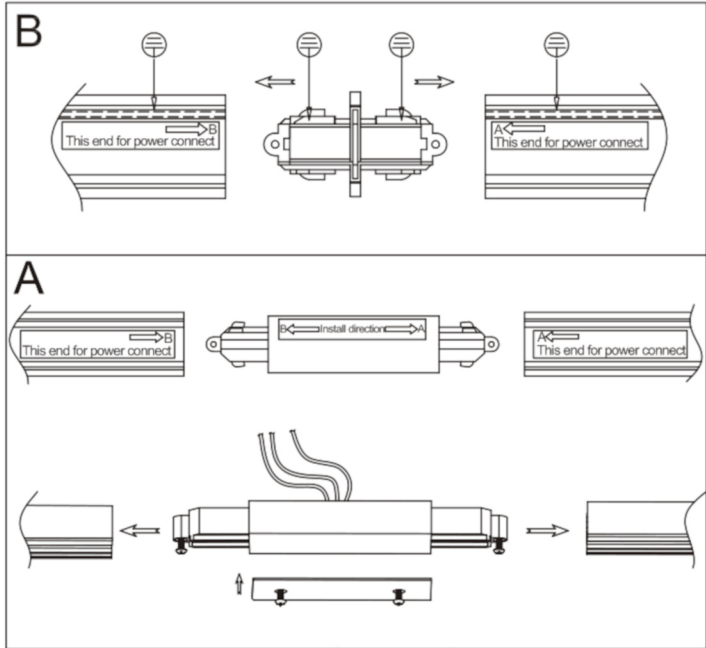
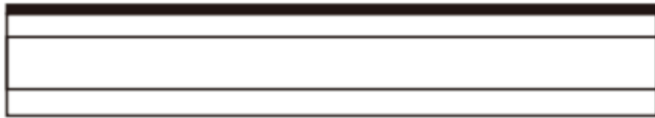
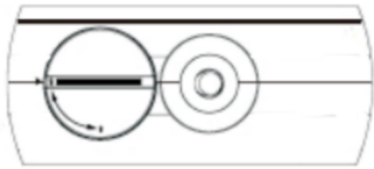


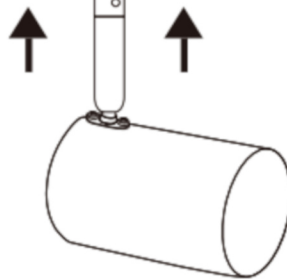
Parts List			
Item	Qty	Part Number	Description
1	1	9627161 / 9627162	Linaro Middle Power Feed
2	2	9627158 / 9627159	Linaro 1m Track
3	2	9627167 / 9627168	Linaro 90° Connector
4	2	10024638 / 10024639	Linaro 0,5m Track
5	2	10024642 / 10024643	Linaro End Cap
6	6	9627146 / 9627147	Linaro GU10 Spot
7	1	9627149 / 9627150	Linaro External Power Feed





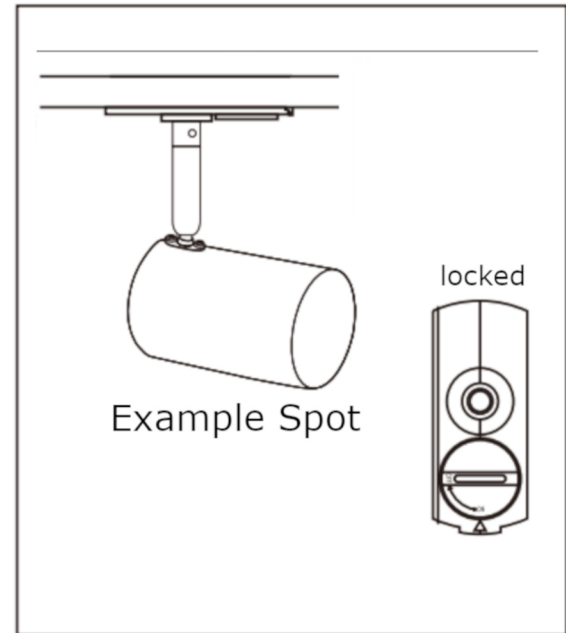


Please check the diection.  
Earth connection is only given  
when line on the base of the  
spot is on the same side as the  
line on the track



Example Spot

unlocked



locked

