

**CCT**  
4000 K 3000 K

**Power**

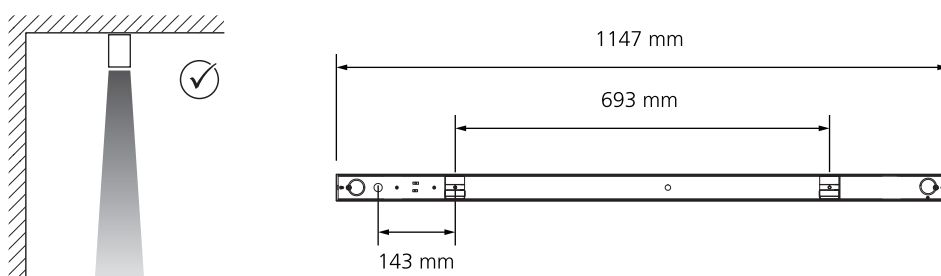
REFLECTOR	Power options [W]		
0041804 / 0041805 0041823 / 0041824 0041825 / 0041826	22-24 ⚙️	-	✓
0040804 / 0040805 0040823 / 0040824 0040825 / 0040826	22-24 ⚙️	-	✓
0041804 / 0041805 + 0041814 0041823 / 0041824 + 0041814 0041825 / 0041826 + 0041814	34-36	✓	✗
0040804 / 0040805 + 0041814 0040823 / 0040824 + 0041814 0040825 / 0040826 + 0041814	34-36	✓	✗

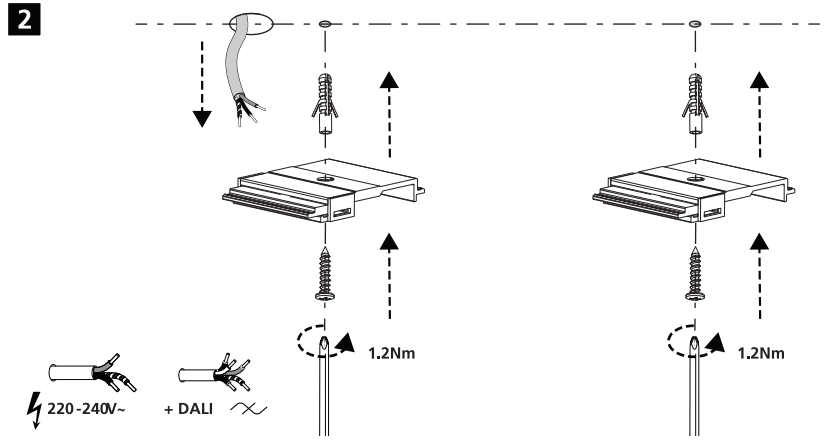
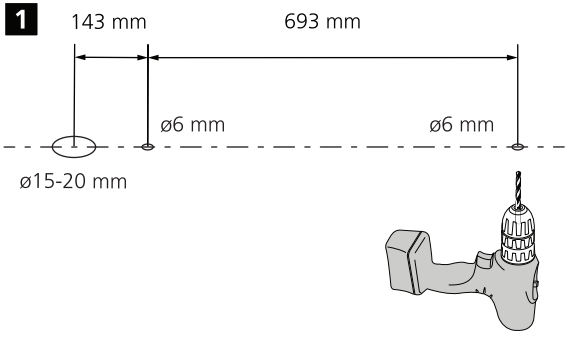
OPAL	Power options [W]		
0041800 / 0041801	24-26 ⚙️	-	✓
0040800 / 0040801	36-39 ⚙️	-	✗
0041800 / 0041801 + 0041815	36-39	✓	✗
0040800 / 0040801 + 0041815	36-39	✓	✗

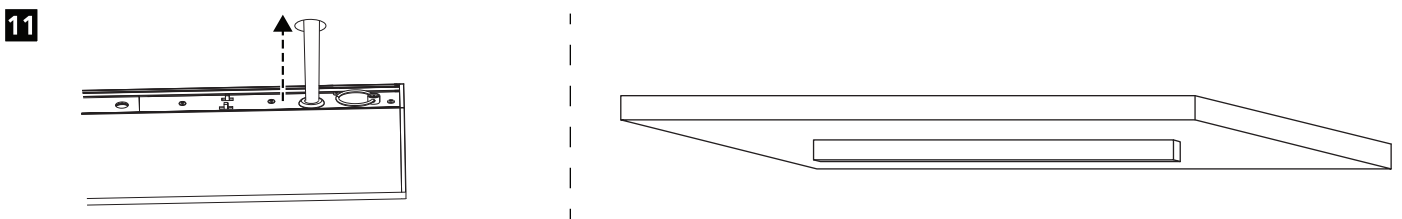
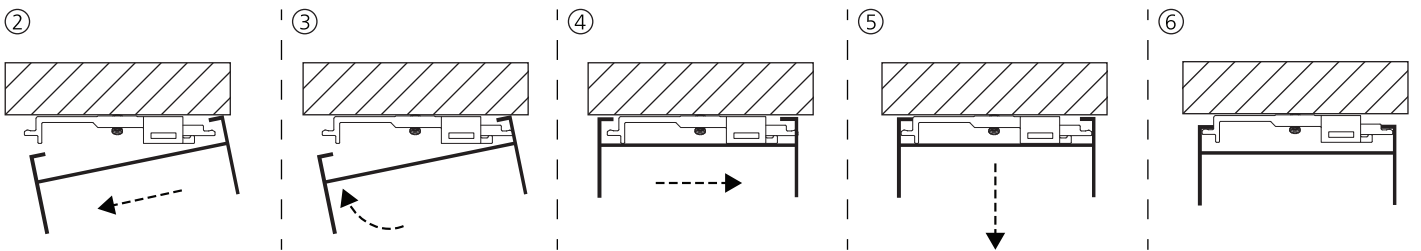
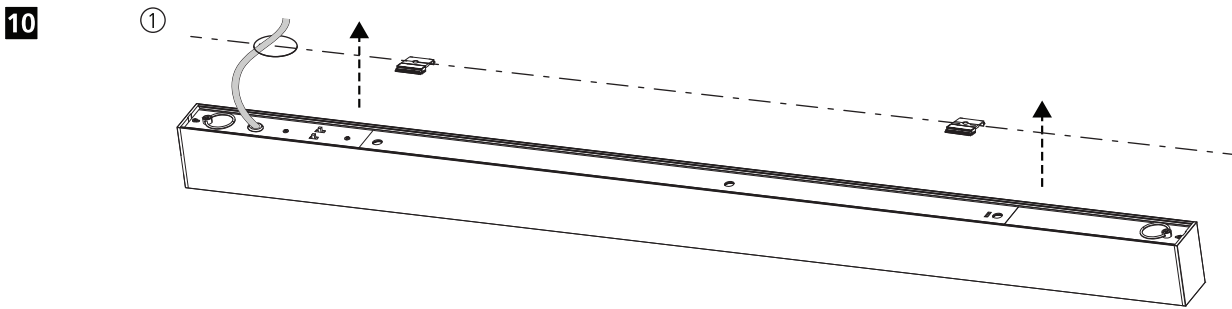
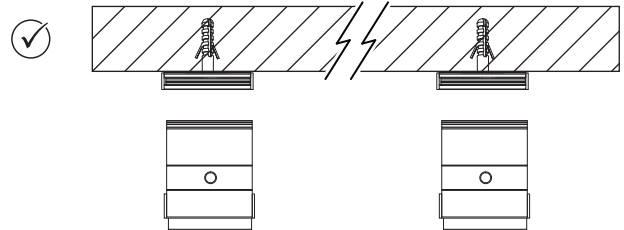
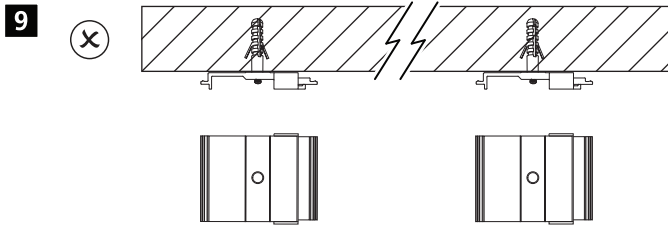
PRISMATIC	Power options [W]		
0041802 / 0041803	22-24 ⚙️	-	✓
0040802 / 0040803	22-24 ⚙️	-	✓
0041802 / 0041803+ 0041813	34-36	✓	✗
0040802 / 0040803+ 0041813	34-36	✓	✗

**Surface mounting**

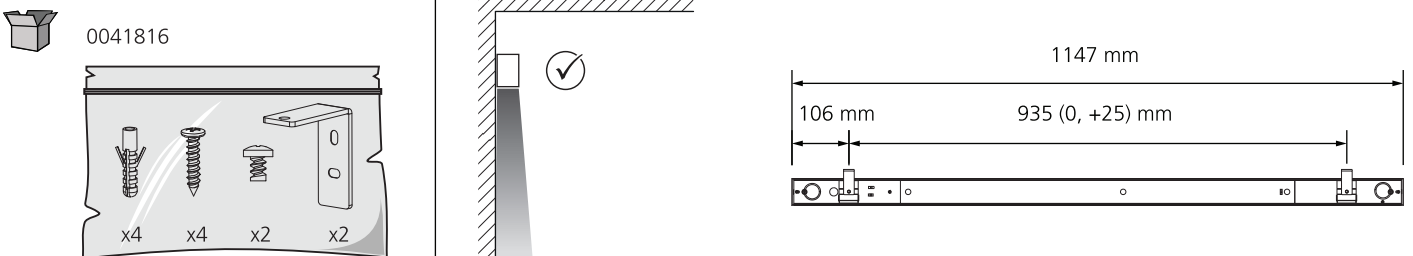


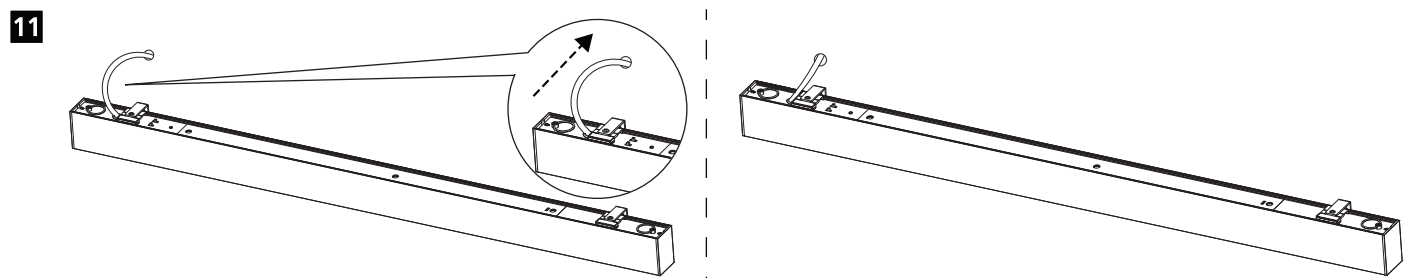
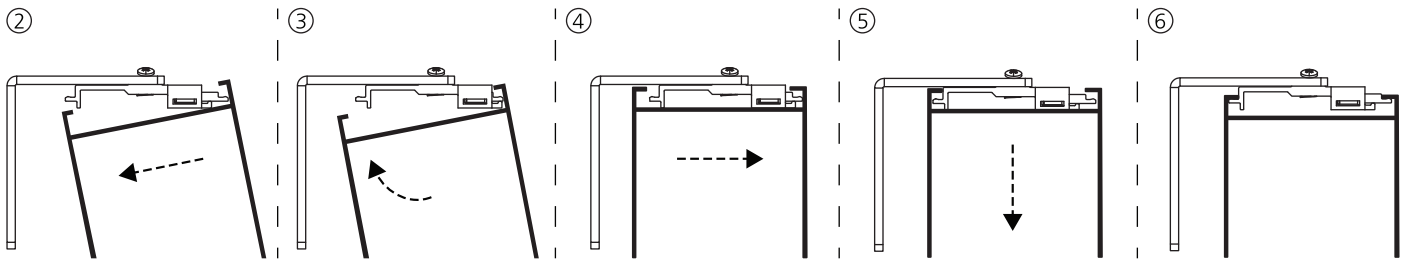
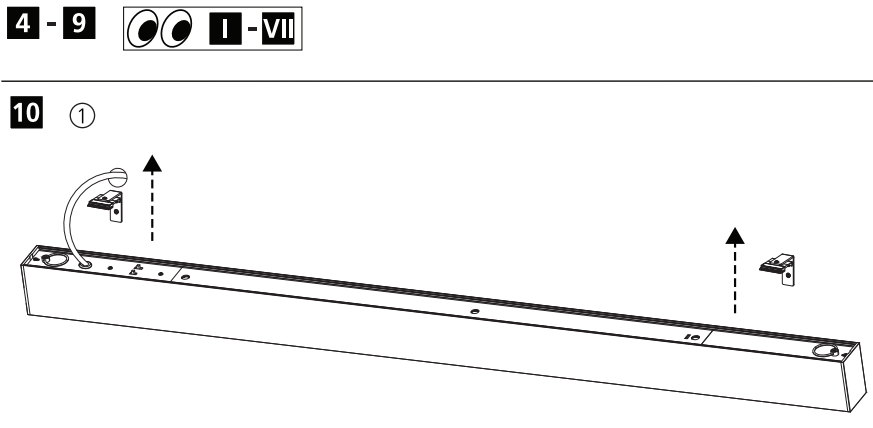
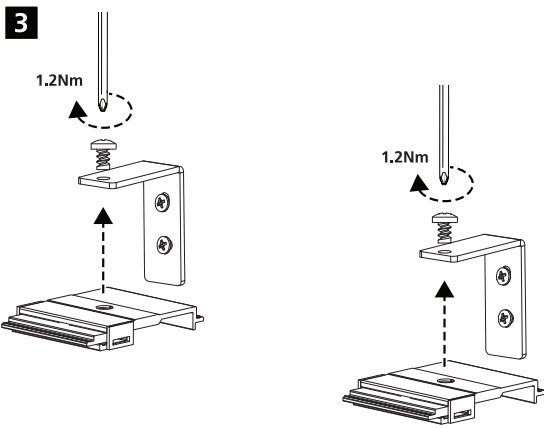
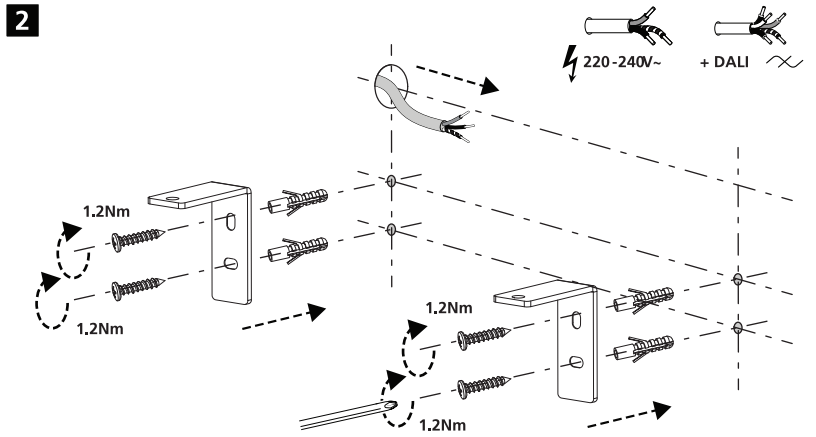
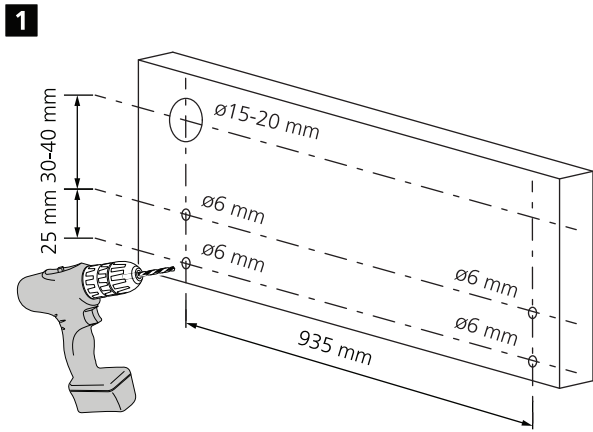


**3 - 8** I - VII

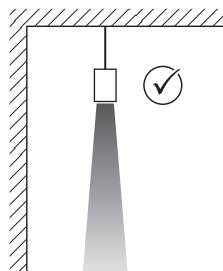
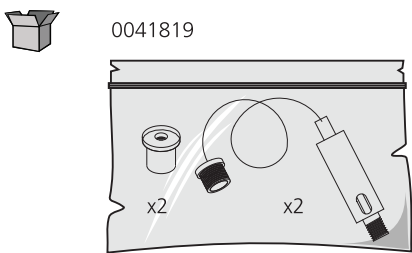


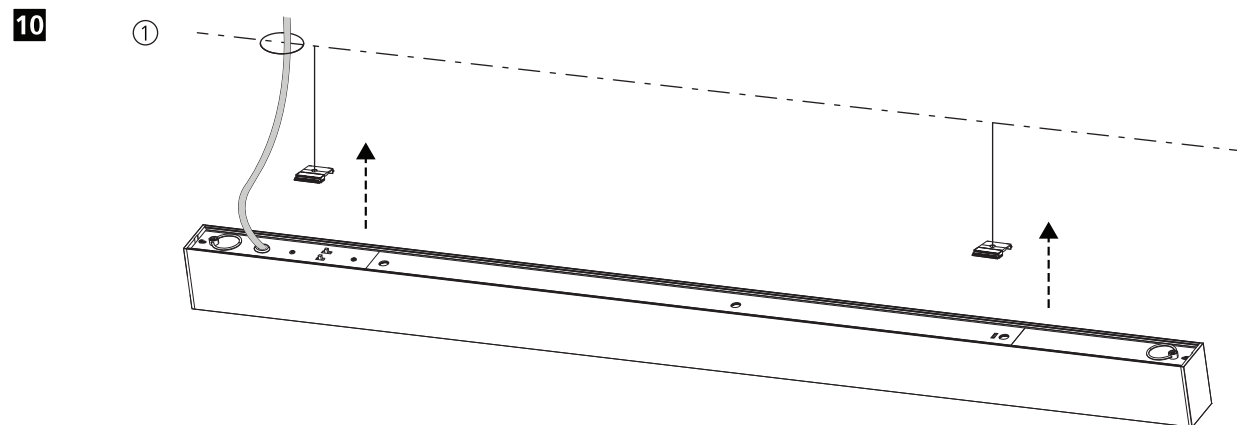
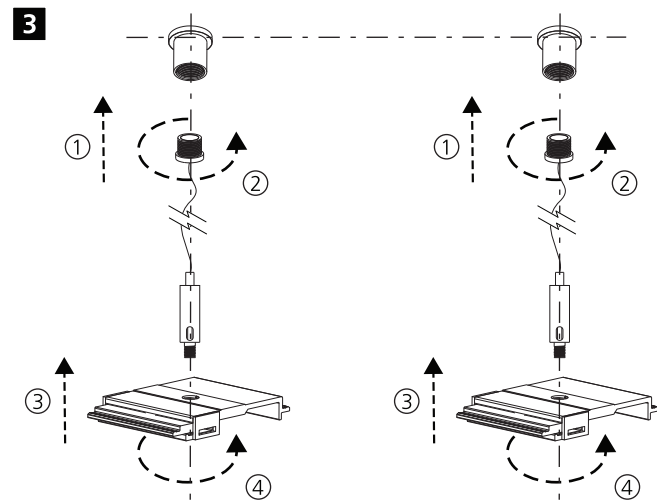
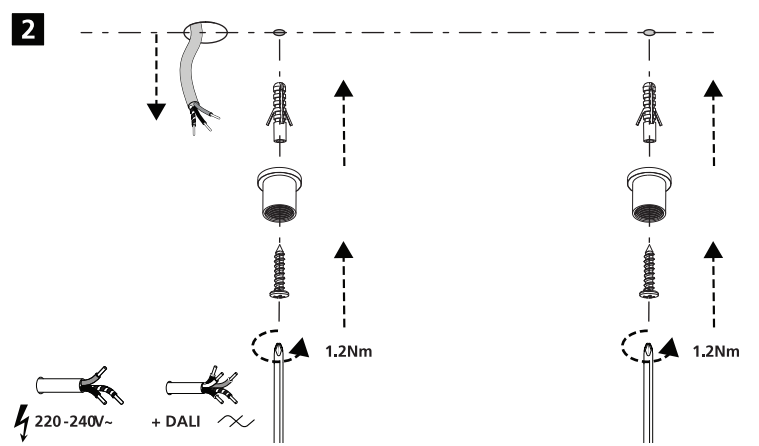
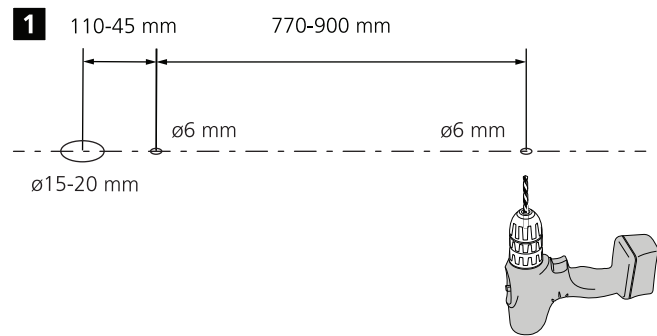
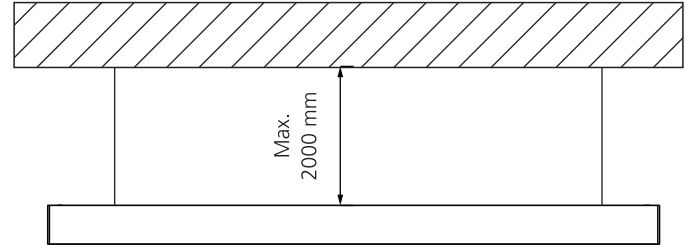
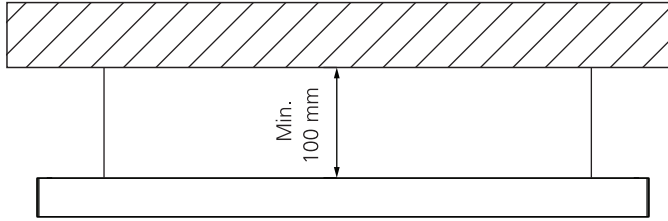
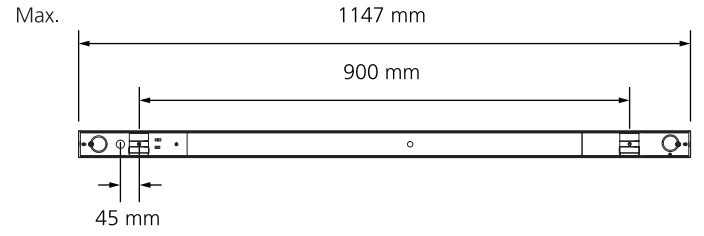
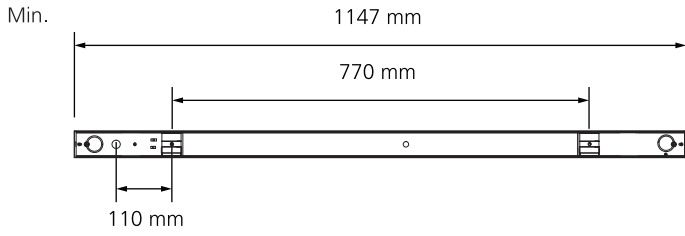
**Wall mounting**

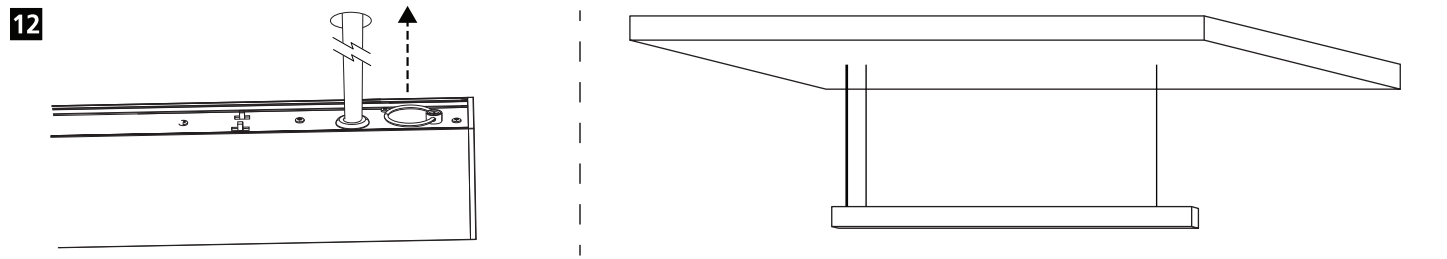
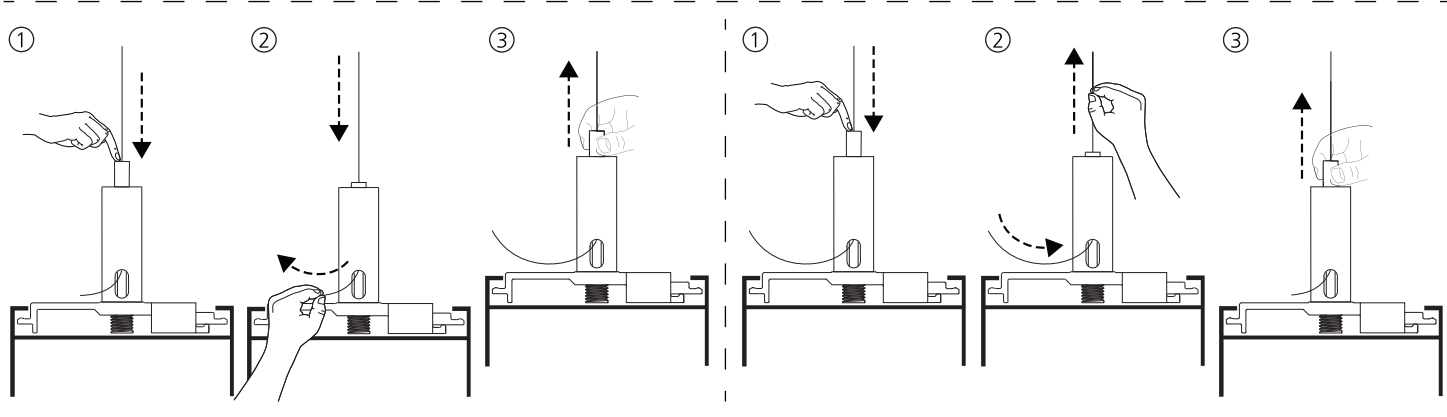
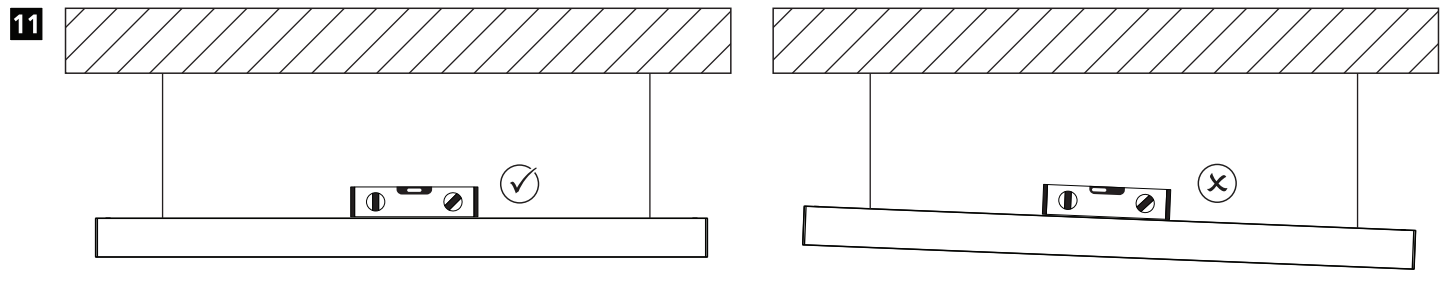
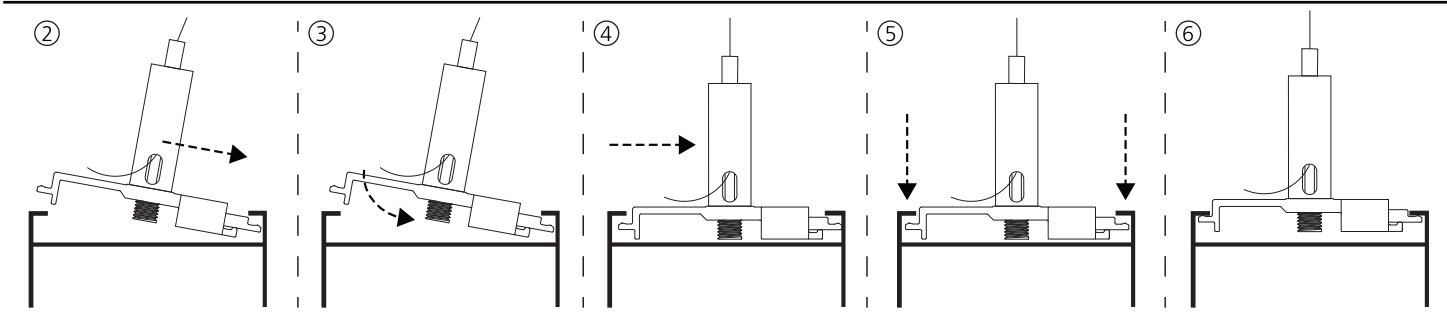




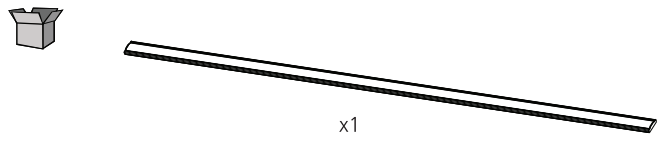
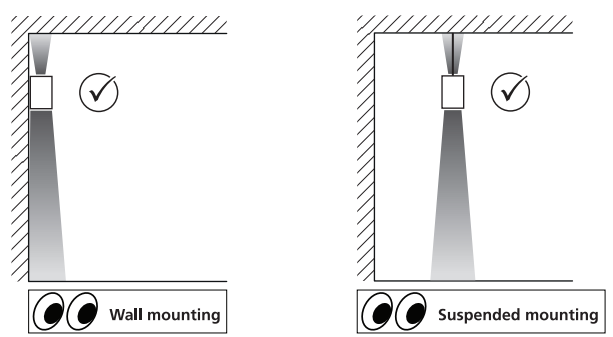
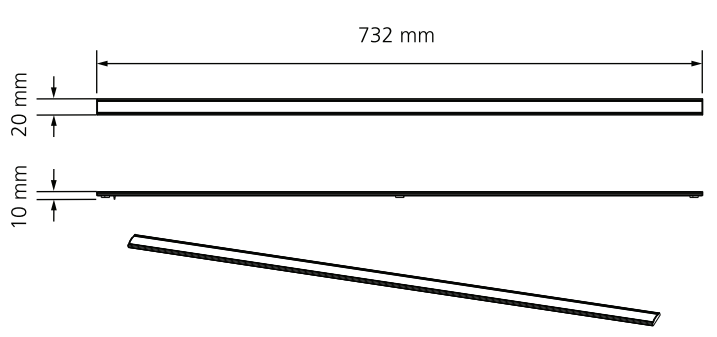
**Suspended mounting**



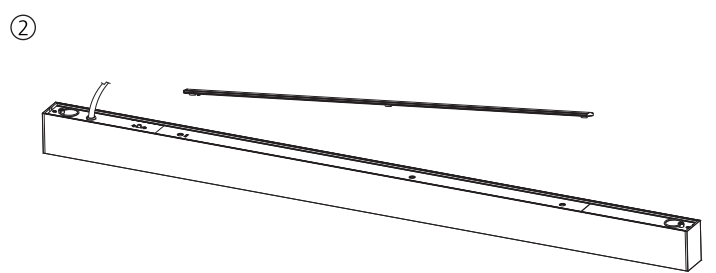
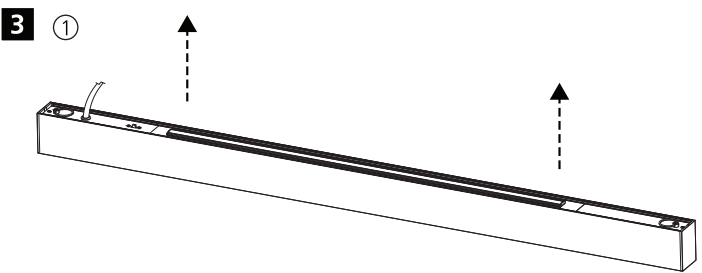
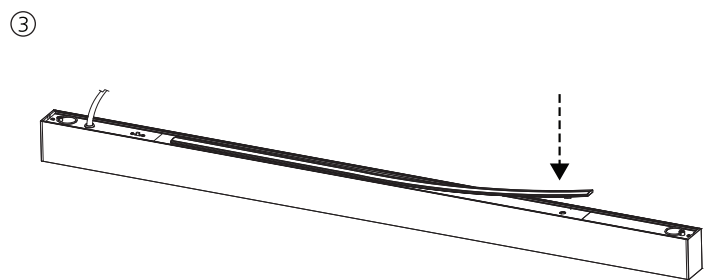
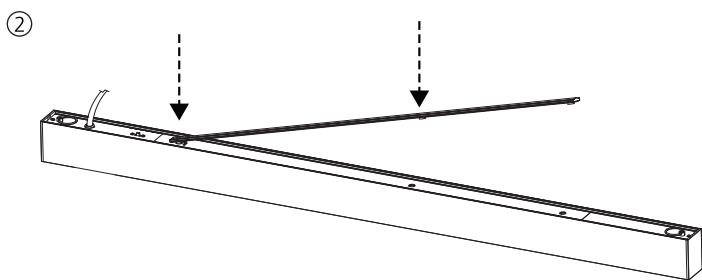
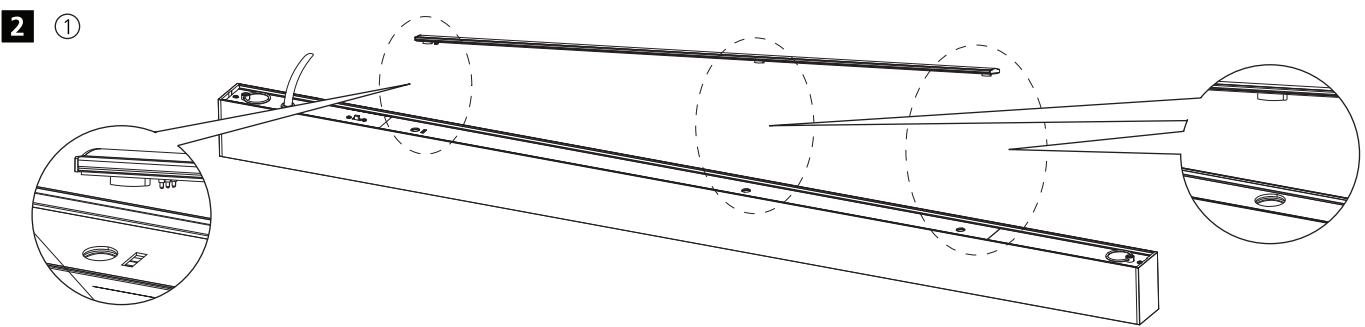
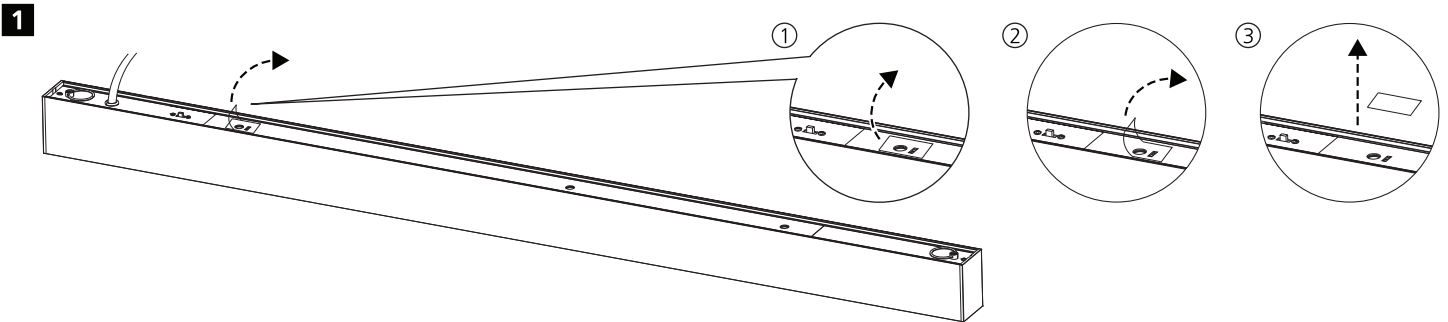





**Uplight module - 0041815, 0041813, 0041814**

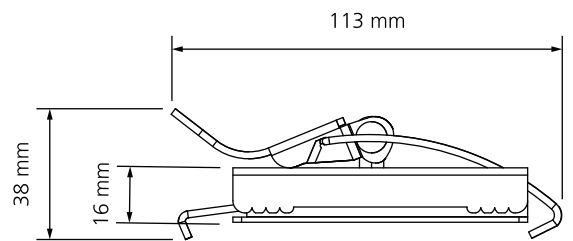
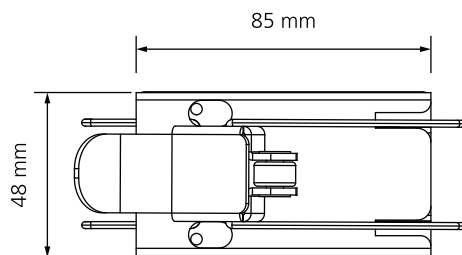
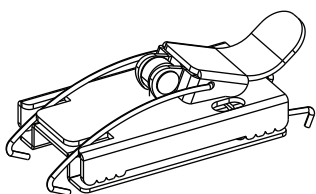


Luminaire	Uplight module		
	0041815	0041813	0041814
0041800 / 0041801 0040800 / 0040801	✓	✗	✗
0041802 / 0041803 0040802 / 0040803	✗	✓	✗
0041804 / 0041805 0040804 / 0040805	✗	✗	✓
0041823 / 0041824 0040823 / 0040824	✗	✗	✓
0041825 / 0041826 0040825 / 0040826	✗	✗	✓

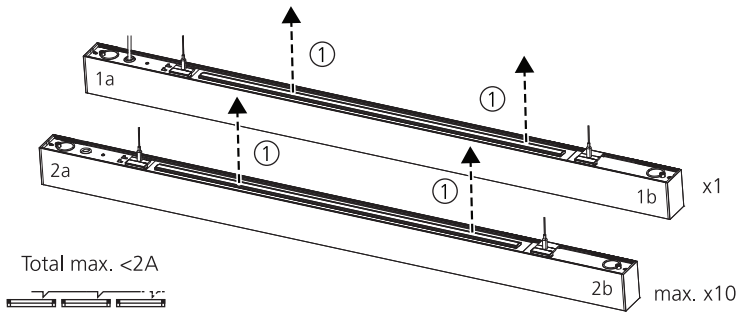


**Continuous line - 0041820, 0041821**

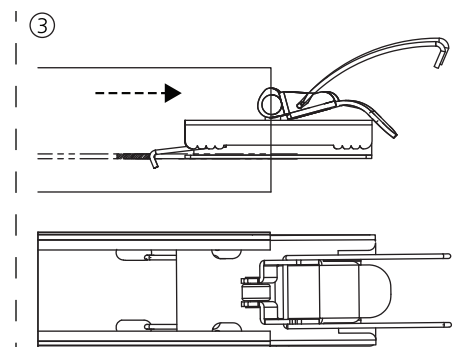
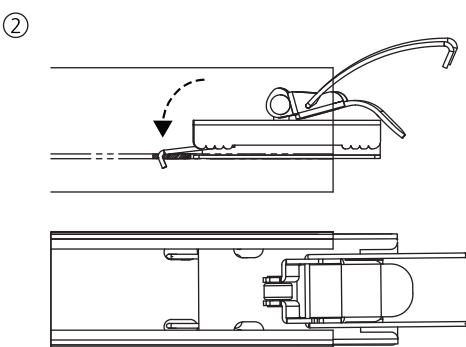
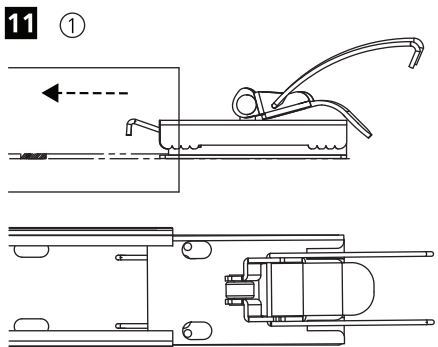
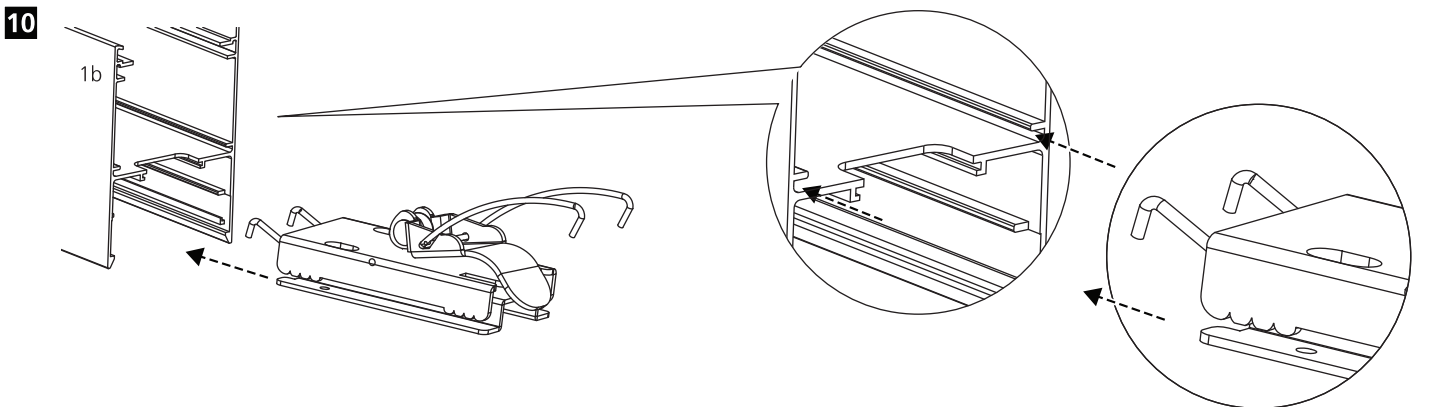
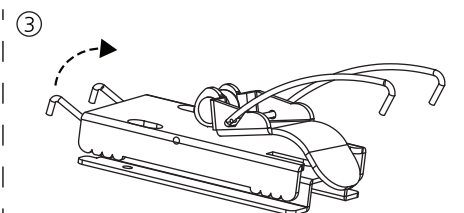
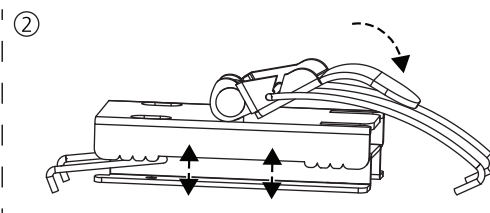
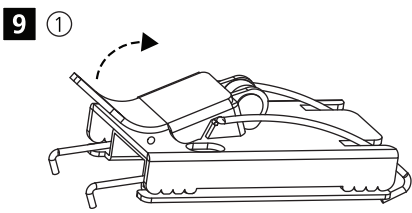
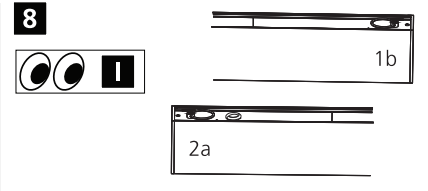
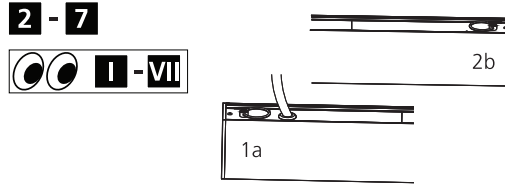
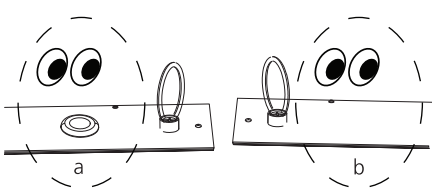
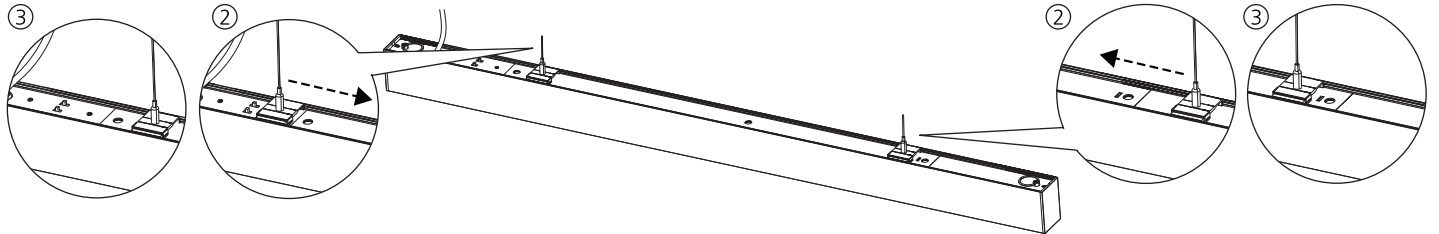
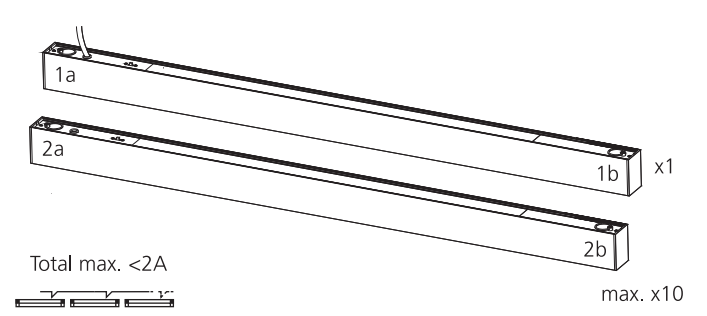
 x1 0041820



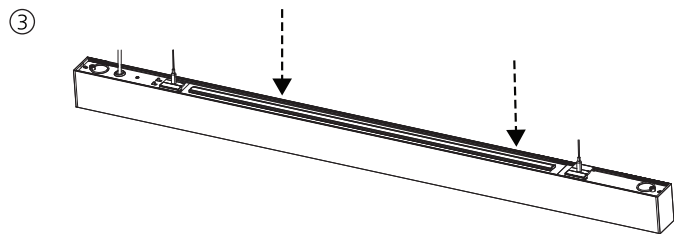
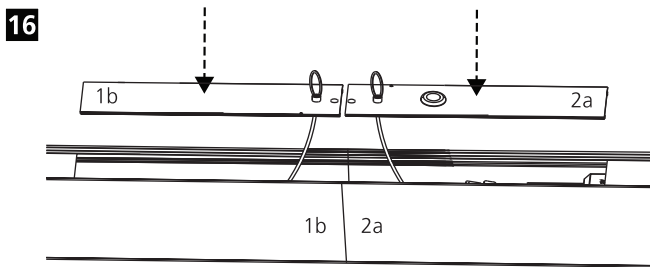
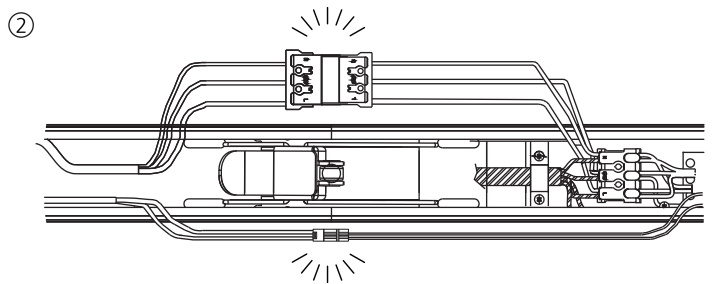
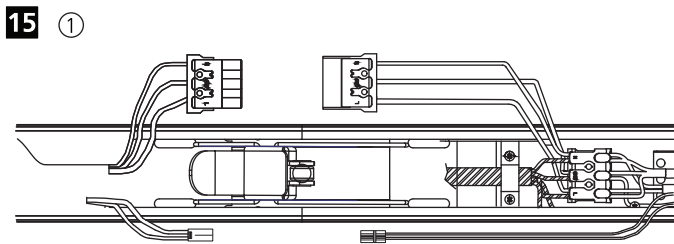
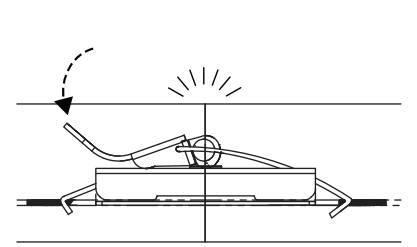
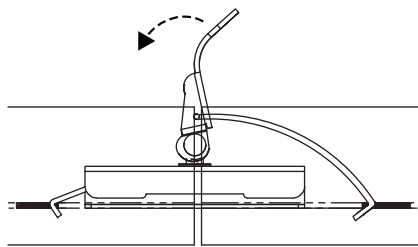
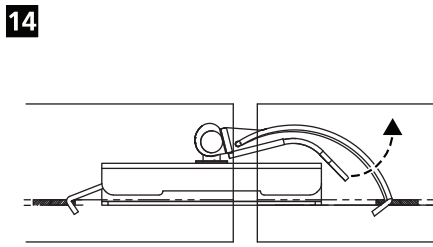
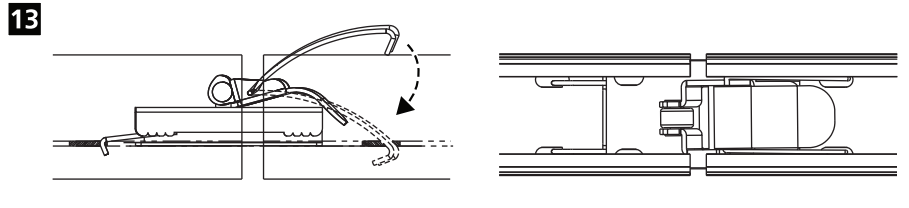
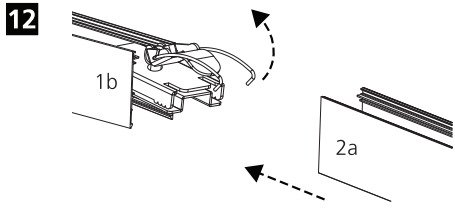
**1** Suspended mounting, Uplight module



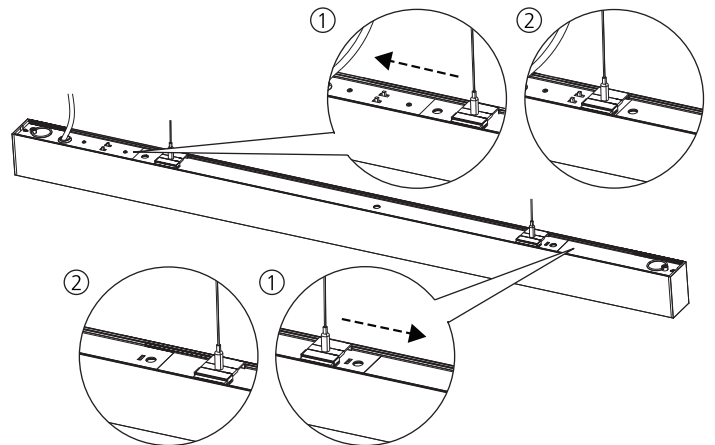
**1** Wall mounting, Surface mounting






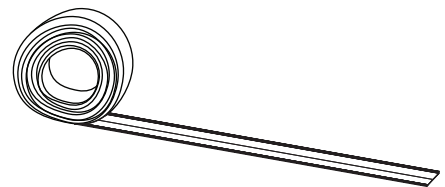
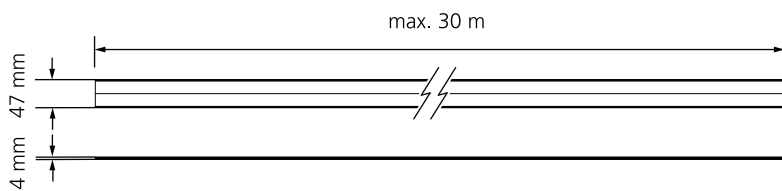


**17** Suspended mounting, Uplight module



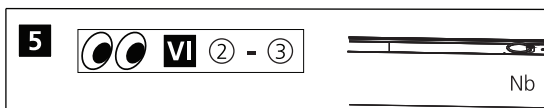
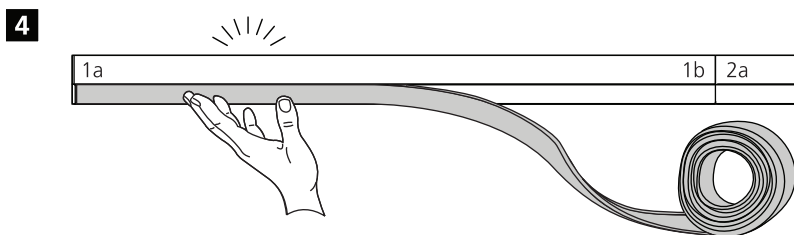
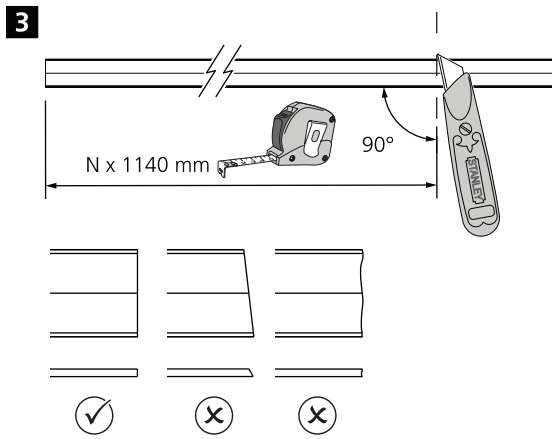
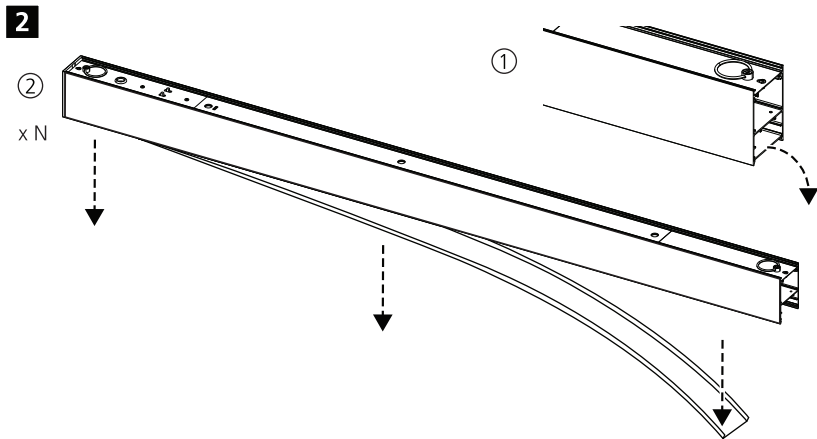
 x1 0041821

Opal 



**1**

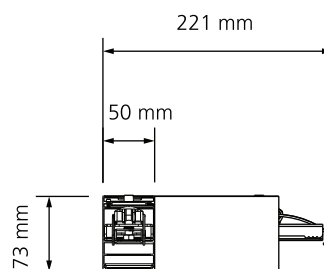
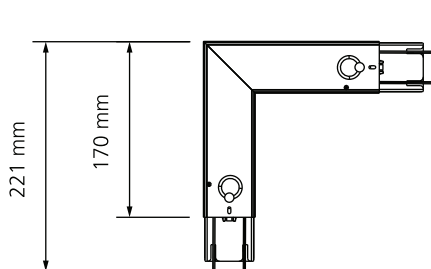
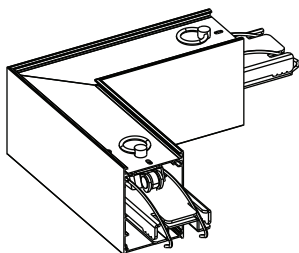




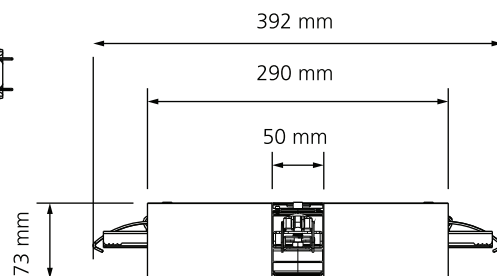
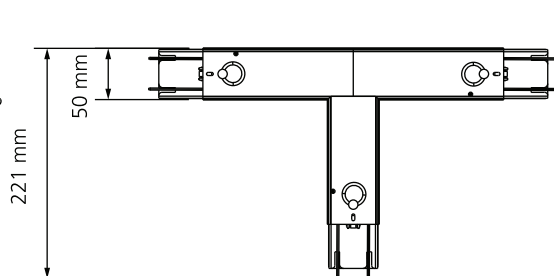
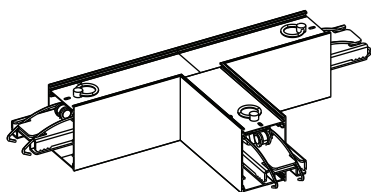
Continuous line - L/T/X connection - 0041820, 0041821, 0041809, 0040809, 0041810, 0040810, 0041811, 0040811

Opal ✓

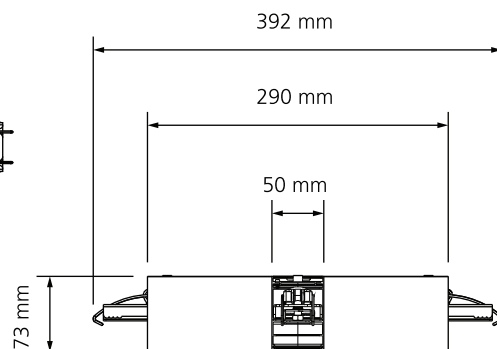
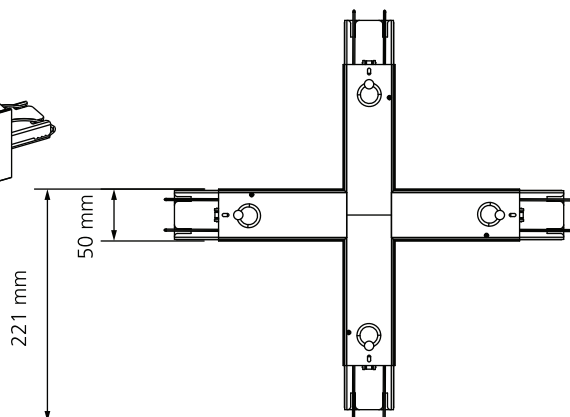
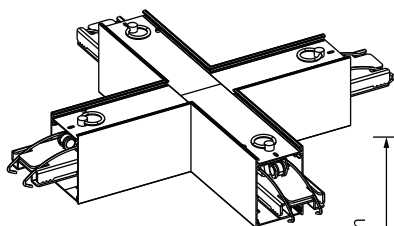
x1 L - 0041809, 0040809



x1 T - 0041810, 0040810



x1 X - 0041811, 0040811

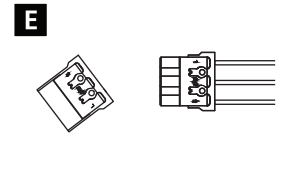
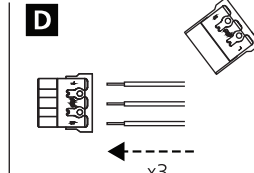
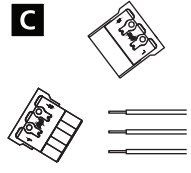
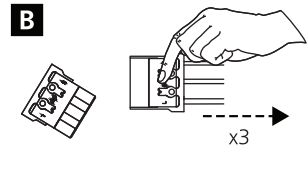
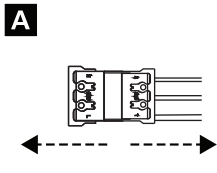
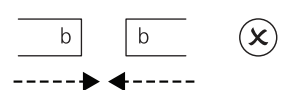
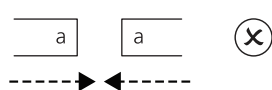
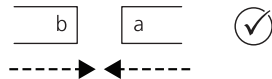


1 - 17

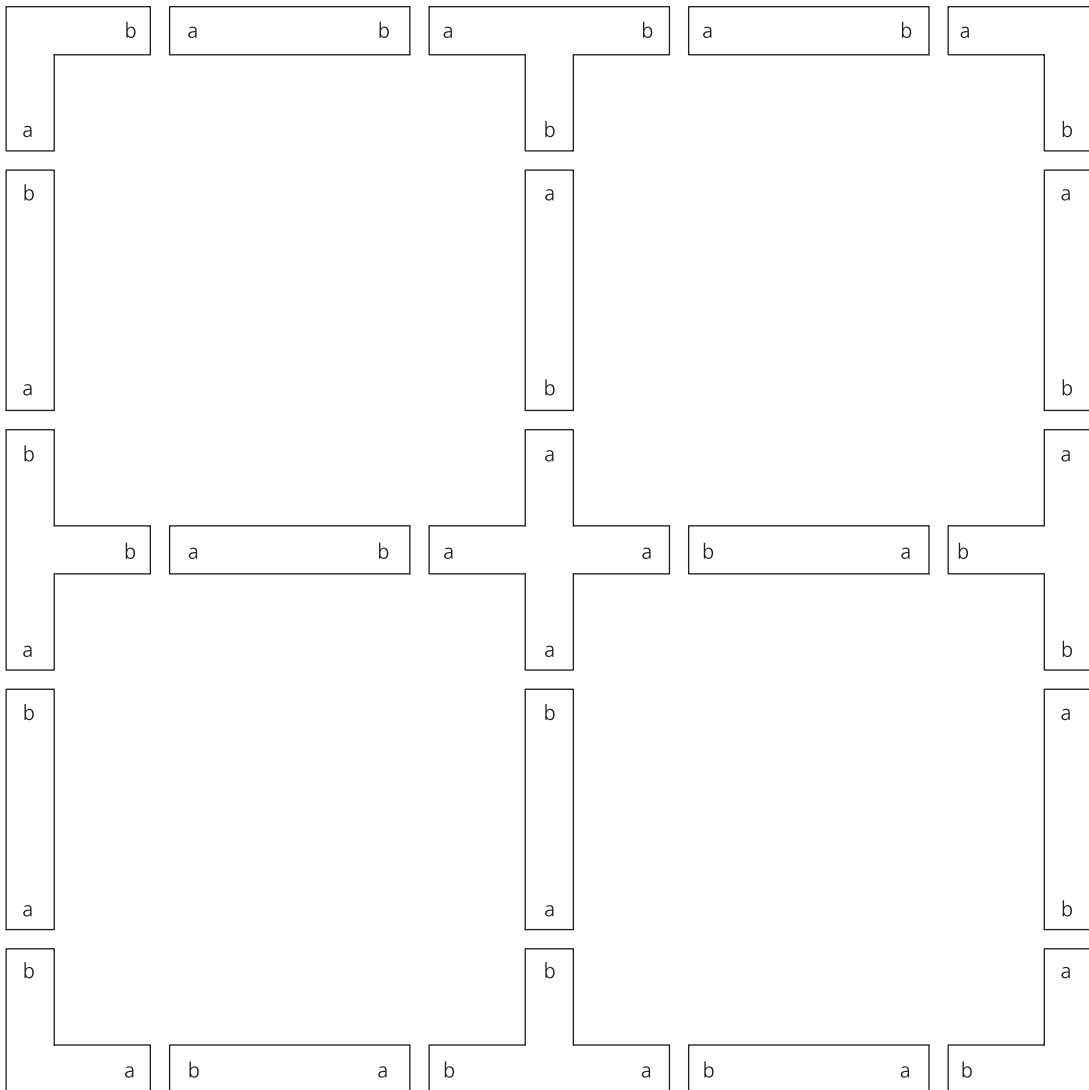
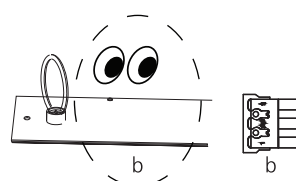
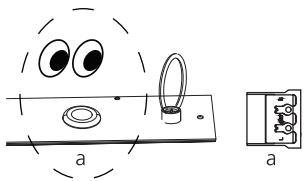
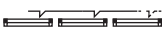
Continuous line 1 - 17

! Continuous line

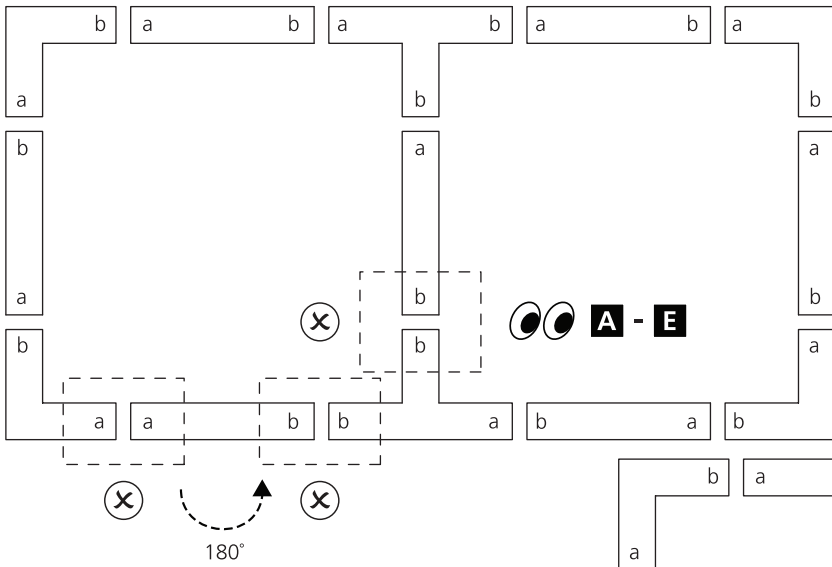
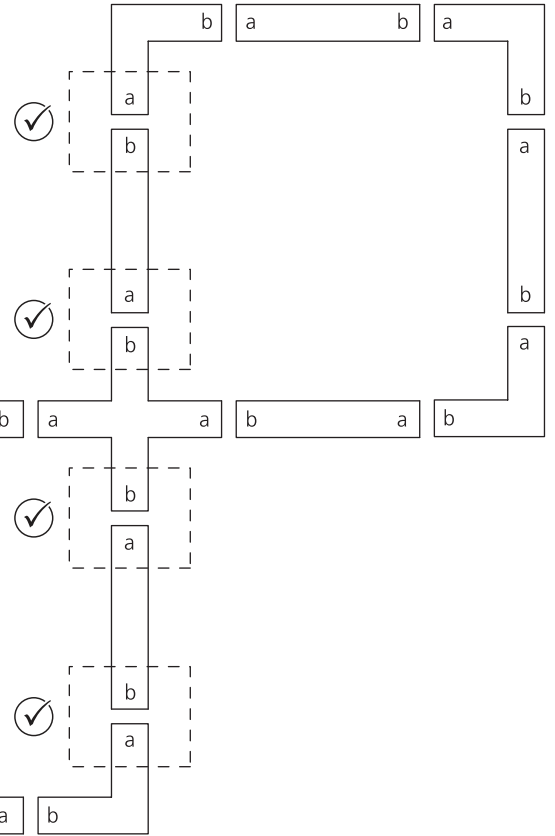
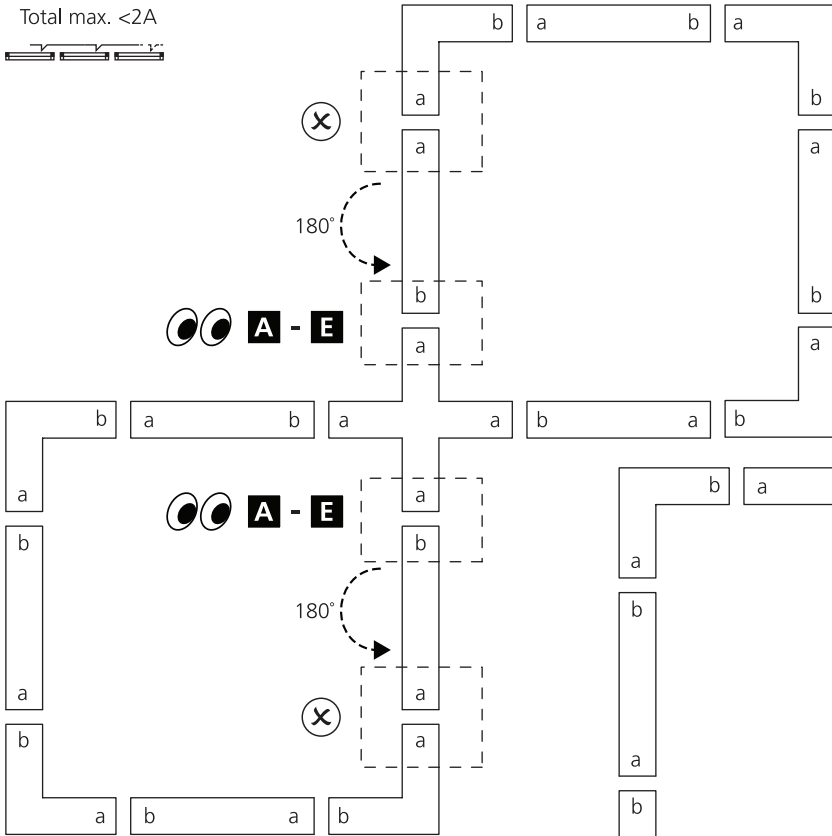
1 - 15 ① , A - E , 15 ② - 17



Total max. <2A



Total max. <2A



Total max. <2A

