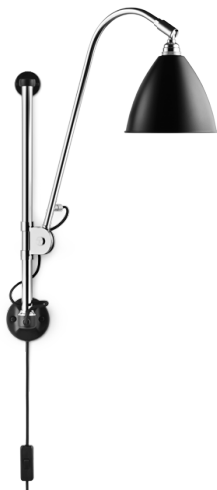


## BESTLITE BL5 // WALL LAMP, CORD WITH SWITCH, EU MODEL

Designed by Robert Dudley Best

### PRODUCT



Item no.: 001-0510X  
+ style code

### DESCRIPTION

Bestlite has been in continuous production since 1930. Robert Dudley Best created Bestlite design. He was highly influenced by the Bauhaus. In the past 80 years, people appreciated the lamps and it decorates many homes, hotels and restaurants worldwide. Loved by architects, designers and design aficionados throughout its 80-year history, today, Bestlite enjoys global iconic status.

### VERSION - BESTLITE WALL LAMP BL5

Shade and base: Black, White or Off-White  
Tube and arm: Chrome

RAL codes are indicative.

- Fabric wire - Black:  
- Black / White inside // RAL 9004 / RAL 9003 // Gloss level 20 / Gloss level 20
- Fabric wire - Off-White:  
- Off-White / White inside // RAL 1015 / RAL 9003 // Gloss level 20 / Gloss level 20
- Fabric wire - White:  
- White / White inside // RAL 9003 / RAL 9003 // Gloss level 20 / Gloss level 20

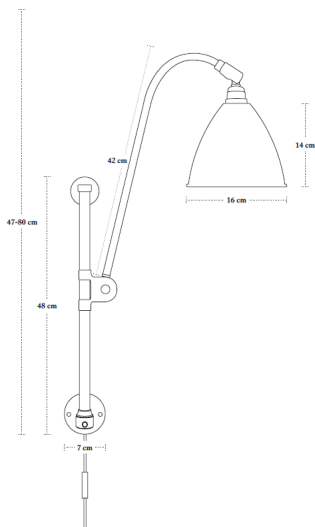
Please contact us for other colours or finishes.

### VERSION

Order item - look for part number in the pricelist.

Series contains the following:

**BL5, BL6, BL7, BL10**



### COLOURS



### FACTS

#### MEASUREMENT - L X W X H MM

Lamp height: 470-800 mm  
Tube length: 480 mm  
Shade height: 140 mm  
Shade diameter: Ø160 mm  
Cord - total length w/sw: App. 2400 mm  
Cord - exposed out of lamp: App. 2000 mm

#### WEIGHT ITEM - LAMP INCL. WIRE

1323 g

#### PACKAGING TYPE

White cardboard box w/ 5ply corrugated

#### PACKAGING MEASUREMENT - L X W X H CM

L:39 x W:61,5 x H:26 cm

#### WEIGHT PACKAGING - MATERIAL TYPE

- Paper Egg crate: 800 g
- Bestlite key: 18 g
- PE polybag: 1 g
- Screws: 4,5 g
- PE polybag: 60g
- Cardboard outside: 800 g
- Cardboard top: 84 g

#### WEIGHT PACKAGING - TOTAL

3200 g

#### NUMBER OF PARCELS

1 pcs.

#### LIGHT SOURCE

- Socket: E14 base
- Recommended light source: *All fluorescens light bulbs*
- Recommended wattage: 9 W ~ (40 WATT incandescent bulbs)
- Max wattage: 13 W

#### - Recommended light source: *Halogen light bulb*

- Recommended wattage: 28 W ~ (40 WATT incandescent bulbs)
- Max wattage: 28 W

- All lamps can be fitted with a dimmer.  
Please contact your local electrician.

- Lightbulb not included

## BESTLITE BL5 // WALL LAMP, CORD WITH SWITCH, EU MODEL

Designed by Robert Dudley Best

### CLEANING AND MAINTENANCE

Use a soft damp cloth when cleaning your Bestlite lamp. Do not use household cleaners.

### ACCESSORIES

Item no.: 001-99058A plug EU

### ENVIRONMENT

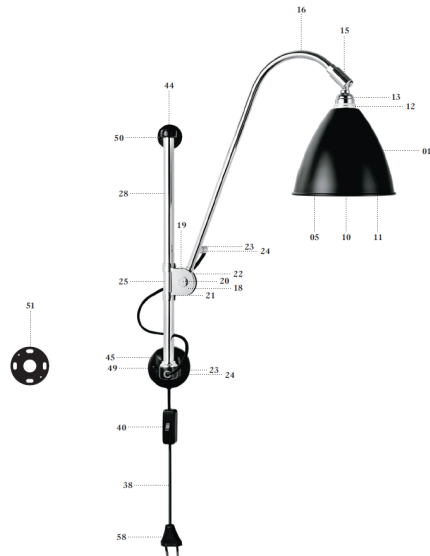
-

### TESTS

-

### CERTIFICATION AND LABELS

CE-CERTIFIED



STANDARD - (\* = Standard for each country/region)

STOCK - BL5\*

Cord with switch. 2 pin plug

- Euro plug: Type C, 2 PIN, 2,5 amp
- Euro voltage: 230 V
- Frequency: 50 Hz
- Supply voltage: AC power ~
- Normally Closed IP20



Class II / Double insulated



CE-Mark



Luminaires accepted for mounting on a flammable base

### KOMPONENTS

Item no.: 001-0510X

- 01 // Shade
- 05 // Lamp holder
- 10 // Insulating ring
- 11 // Internal shade ring
- 12 // External shade ring
- 13 // Lamp holder cover
- 15 // Universal joint
- 16 // Bestlite arm
- 18 // Bestlite "clip"
- 19 // Bestlite nut
- 20 // Bestlite bolt
- 21 // Tension spring
- 22 // Fibre washer
- 23 // Cord grip
- 24 // Cord grip cover
- 25 // Acetate
- 38 // Textile covered cord
- 40 // Switch
- 44 // Top bracket
- 45 // Wall bracket
- 49 // Screw 9x19 mm
- 50 // Screw 6x36 mm.
- 51 // Mounting plate Ø7 cm
- 58 // Plug

### MATERIAL

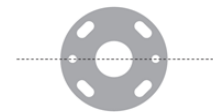
Shade and base: Powder coated aluminium  
 Tube and arm: Chromed steel  
 Textile covered cord

### INSTALLATION INSTRUCTIONS

The Bestlite key:

It's a practical tool that enables you to fasten the lamp arm. Simply use it like a screwdriver in the slot in the Bestlite nut.

1.1 handles the arm: Bestlite key  
 Cut wire in middle of arm, use directly on your wall for accurate placing of the hole.  
 Refer to the installation manual.



#### Technical information

Light source: E14 1 x 40W incandescent or 40W halogen bulb.  
 Not approved for outdoor use.  
 The lamp is not approved for outdoor use or use in damp/half rooms.

#### Some advice on cleaning your Bestlite

**Powder coated parts - base/bracket and shade:**  
 After the parts with a damp cloth, avoid to use water and a lot of acid detergent.

#### Cleaning polished parts:

Wipe the parts with a damp cloth and avoid to use for cleaning liquids.  
 If the surface is dirty use a mild polish made especially for chromium or other soft metals.

Use only soft cloth for wiping and polishing, never sponges or other wool.  
 Do not use abrasive household cleaners.  
 Do not use acids or alkaline cleaning products, glass cleaner or household solvents.

BESTLITE - GUBI, Høveltevej 7-9, DK-2100, Copenhagen, Denmark - www.bestlite.com



**BESTLITE**  
 BESTLITE - 1930

