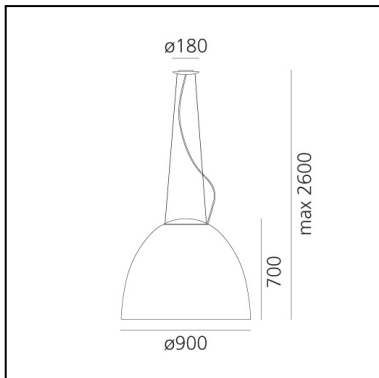


Nur 1618 LED White Integralis - Anthracite grey

Ernesto Gismondi



IP20   Dimmbar: 



LUMINAIRE

DAY MODE

- Watt: **80W**
- Spannung (V): **220V-240V**
- Lichtstrom (lm): **4739lm**
- Strahlungsstärke: **2763mW**
- CCT: **5000K**
- Efficiency: **48%**
- Efficacy: **59.24lm/W**
- CRI: **90**
- Dimmable Typology: **Push**

BESCHREIBUNG

An extreme geometric synthesis of optics par excellence, Nur manifests its presence through a monolithic and mono-material body. The essential and geometrically calibrated lines of a perfect parabola conceal an optical heart that perfectly controls the emission, without offending direct vision. With a 80W LED optical engine, it ensures general ambient lighting thanks also to indirect emission.

In the WHITE INTEGRALIS version Nur is designed to offer a white emission ensuring perfect perception while respecting the human presence and which at the same time combines control of microbial growth. It can vary in intensity and is available with a fixed CCT of 5000K, with a high color rendering index (CRI 90).

ARTIKELNUMMER: A243200INO

FUNKTIONEN

- Artikelnummer: **A243200INO**
- Farbe: **Anthracite Grey**
- Installation: **Pendelleuchte**
- Material: **Aluminium, methacrylate, glass**
- Serie: **Design Collection**
- Anwendungsbereich: **Innenbeleuchtung**
- Einsatzbereich: **Hospitality, Residential**
- Lichtverteilung: **direkt/indirekt, diffus**
- design: **Ernesto Gismondi**

DIMENSION

- Höhe: **cm 70**
- Breite: **cm 90**
- Durchmesser Fuß: **cm 18**
- Max Höhe von der Decke: **cm 260**
- Glühdrahttest: **650°C**

INKLUSIVE LICHTQUELLEN

- Kategorie: **Led**
- Anzahl: **1**
- Farbtemperatur(K): **5000K**
- CRI: **90**
- Color Tolerance: **3SDCM**
- Service Life: **L80 (10K) 55000h**