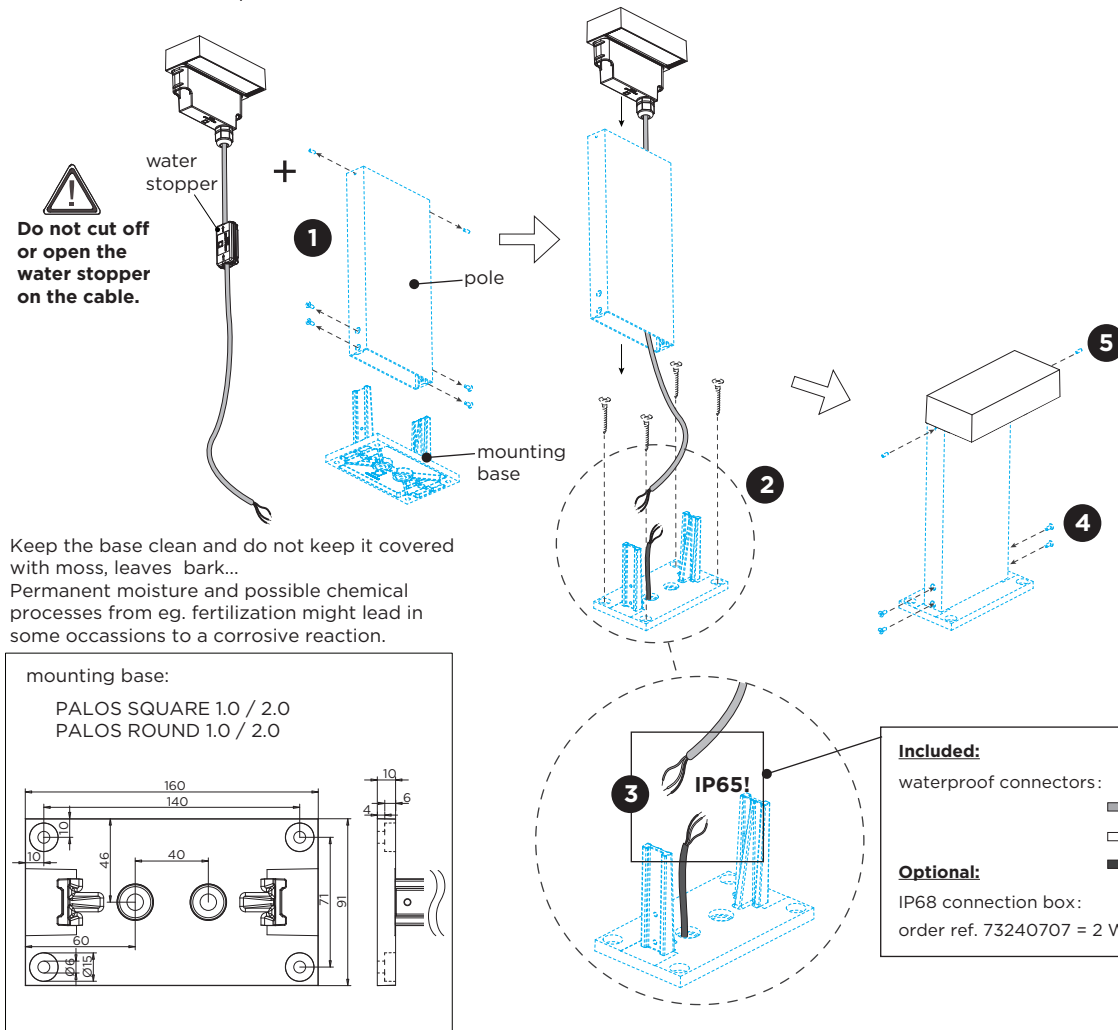


PALOS

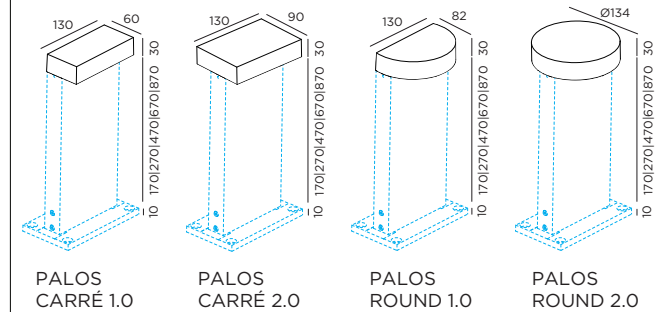
INSTALLATION INSTRUCTIONS | AUGUST 2021

installation with fixation plate



Keep the base clean and do not keep it covered with moss, leaves bark... Permanent moisture and possible chemical processes from eg. fertilization might lead in some occasions to a corrosive reaction.

DIMENSIONS



MOUNTING INSTRUCTION

- 1 Remove the mounting base from the pole by loosening the screws.
- 2 Mount the base on the floor with screws. (screws are not included.)
- 3 **POWER CONNECTION**
Connect to 220-240V. Connect the wires with the waterproof connections. Please see the detail method in the separate instruction sheet of waterproof connection.
- 4 Fix the pole on the mounting base with the included screws.
- 5 Fix the luminaire on the pole with the included socket screws.

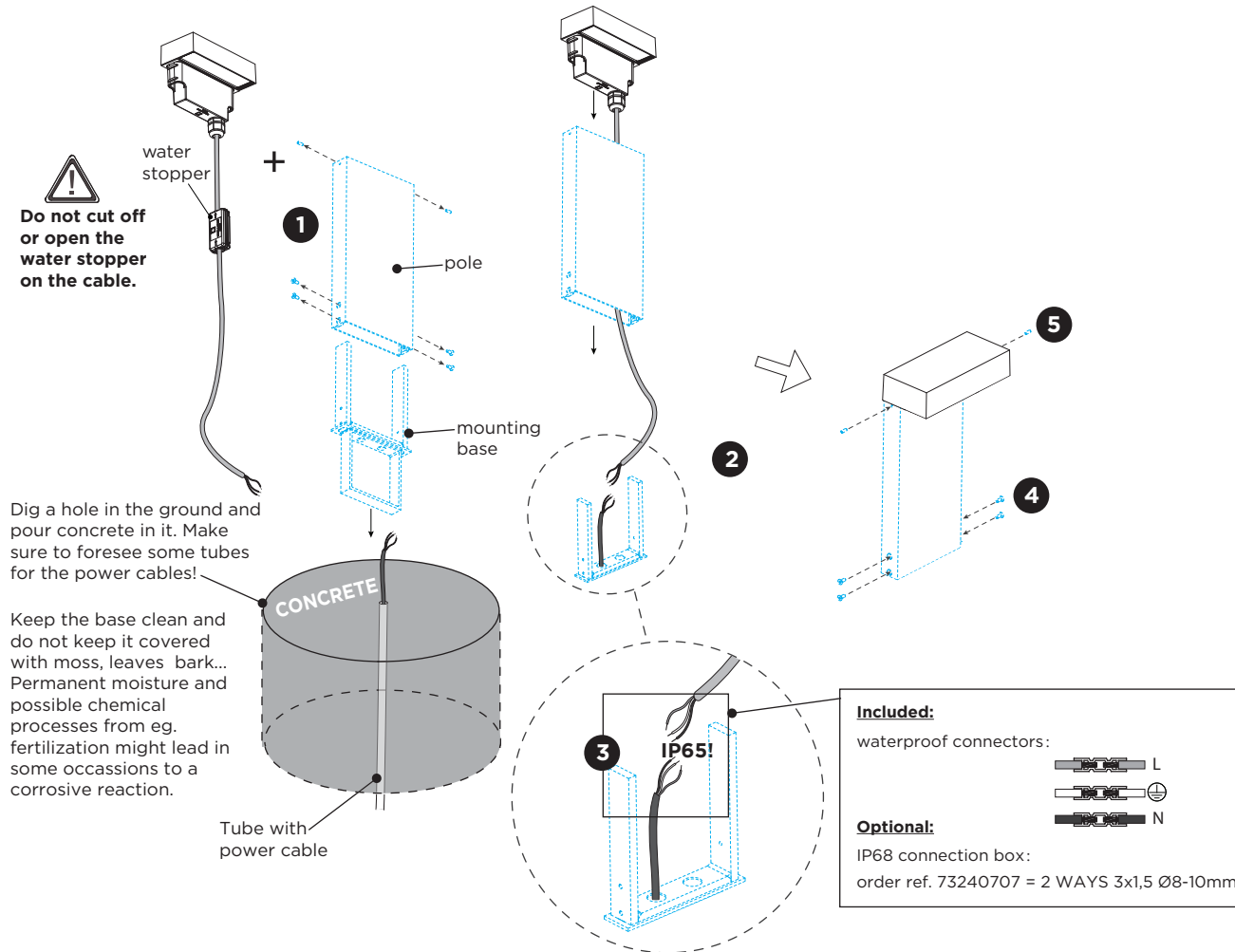
For installation with concrete ground fixation, please see the page 2.

PB19-010-74+00_v2

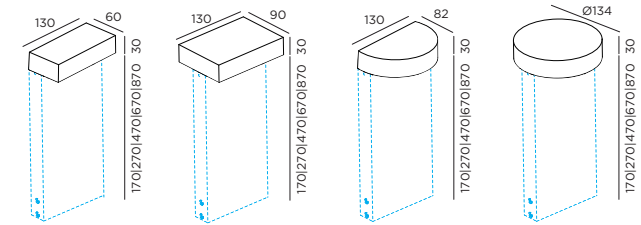
PALOS

INSTALLATION INSTRUCTIONS | AUGUST 2021

installation with concrete ground fixation



DIMENSIONS



PALOS
CARRÉ 1.0

PALOS
CARRÉ 2.0

PALOS
ROUND 1.0

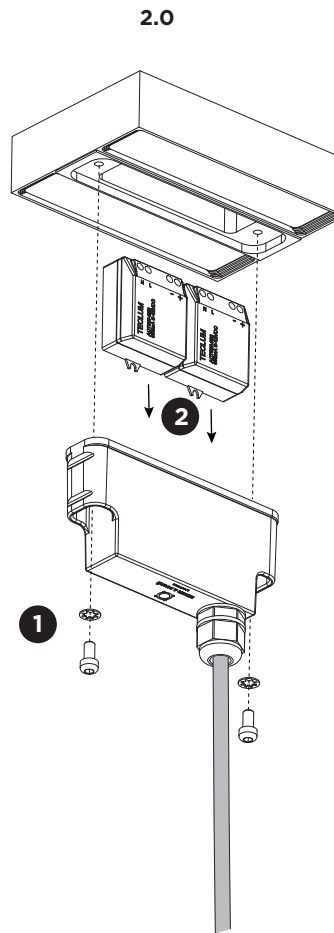
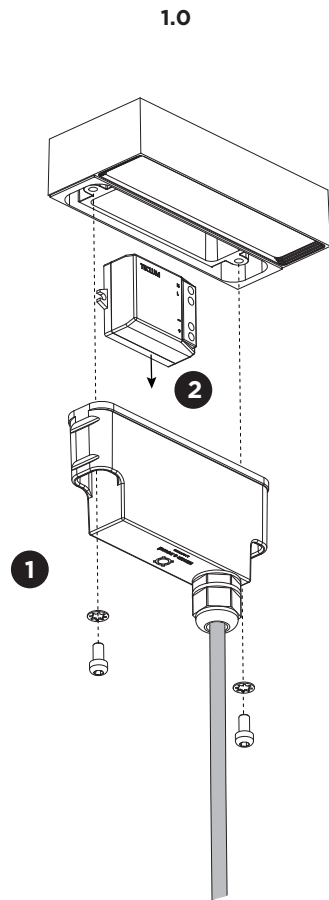
PALOS
ROUND 2.0

MOUNTING INSTRUCTION

- 1 Remove the mounting base from the pole by loosening the screws.
- 2 Mount the base in the floor with concrete.
- 3 **POWER CONNECTION**
Connect to 220-240V. Connect the wires with the waterproof connections. Please see the detail method in the separate instruction sheet of waterproof connection.
- 4 Fix the pole on the mounting base with the included screws.
- 5 Fix the luminaire on the pole with the included socket screws.

PALOS

INSTALLATION INSTRUCTIONS | AUGUST 2021



DISMOUNTING INSTRUCTION

Driver

- 1 Loosen the screws and remove the housing from the luminaire.
- 2 The driver can now be removed.