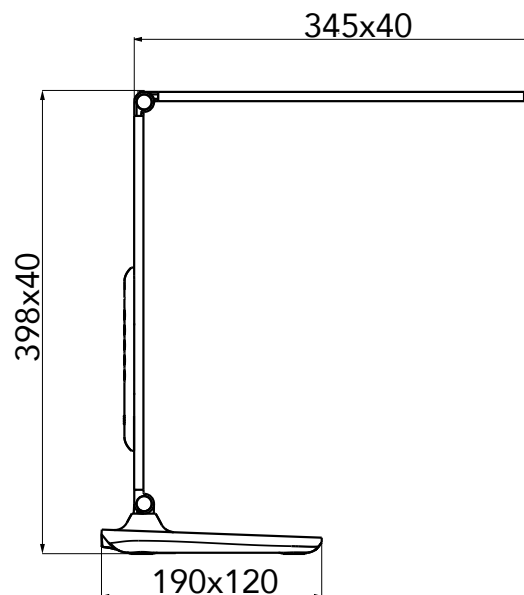


# SANDRA

## Desk lamp



Its multiple features  
and the quality of the  
materials used



SANDRA offers multiple functions for perfect work ergonomics. Its base has a built-in screen that shows the time, date and temperature. This super-equipped lamp also offers an automatic shutdown function: if activated, the lamp automatically switches off after the set duration. Light intensity and colors dimmers. USB port. Integrated LED module. Switch on the base.

### • TECHNICAL SPECIFICATIONS

Light source	LED
Power	8W
CRI	>80
Kelvin	2700-6500K
Lumen	888 lm
Light efficiency	117 lm/W
Material	Aluminium / ABS
Color	●

### • LOGISTIC SPECIFICATIONS

Packaging	1 package
Net weight	0,9 kg
Gross weight	1,23 kg
Master box	6 pieces
Master gross weight	8 kg
Master net weight	7,4 kg
Master dimensions	41,6x27,3x19,8

### • COMMERCIAL SPECIFICATIONS

Weight	1,23 kg
Warranty	2 years
Code EAN	● 3131130367705



# ALUMINOR

LUMINAIRES

852 CD 15, 06390 CONTES, FRANCE // +33 (0)4 93 91 60 10  
contact@aluminor.fr // www.aluminor.fr