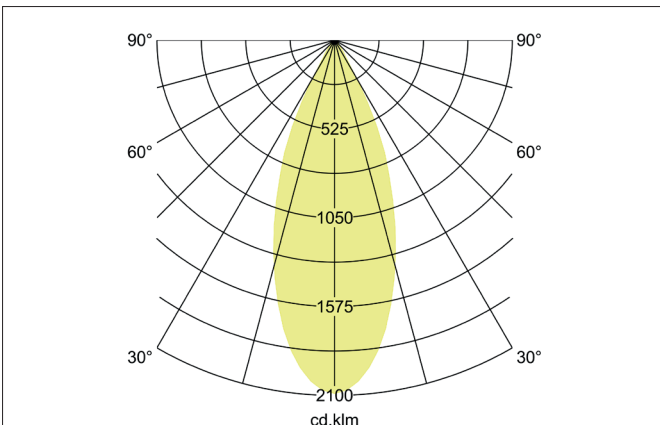
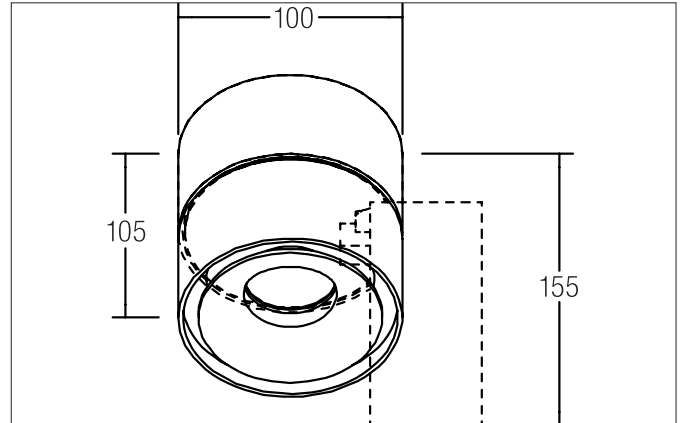


**CIRCLE MAXI LED surface-mounted spot, with all-round light gap,
on/off switchable**
Article no. 12061073

Light.
For Generations.



Tender
LED surface-mounted spot, with all-round light gap, on/off switchable, Round. Luminaire diameter 100.0 mm, Height 105.0 mm Weight 0.807 kg, Reflector silver with rotationssymmetrical, deep, wide distributed light intensity. optimal light distribution due to a Without cover cover. Luminous flux 675 lm, Power 1 x 9,8 W, Light colour warm white, Correlated color temperature (CCT) 3.000 K, Colour rendering index CRI > 80, Housing material: Aluminium, Colour: White structure, Permissible ambient temperature (ta): -20 °C - +25 °C, Protection class (EN 61140): I, Degree of protection (DIN EN 60529): IP20, .With electronic driver, on/off switchable.

Article data	
Article no.	12061073
GTIN	4250047781295
Series name	CIRCLE MAXI
Short description	LED surface-mounted spot, with all-round light gap, on/off switchable
Material	Aluminium
Colour	White
Type of surface	Structure
Shape	Round
Outer diameter	100 mm
Height	105 mm
Scope of delivery	Incl. converter for connection to the 230-V mains voltage
Weight	0.807 kg

**CIRCLE MAXI LED surface-mounted spot, with all-round light gap,
on/off switchable**

Article no. 12061073

Light.
For Generations.

Lighting technology	
Colour temperature	3.000 K
Light colour	White
Light output	Direct
Luminous flux	675 lm
System efficiency	69 lm/W
Colour rendering	CRI > 80
Reflector	High-gloss
Reflektorfarbe	silver
Beam angle	34°
Light sharing	Symmetric
Adjustable color temperature	No

Operating technology of the luminaire	
System output	9.8 W
Voltage type	AC
AC nominal voltage max	220 V
Frequenz max.	50 Hz
Lamp	LED
Lamp holder	Without fitting
Protection class	I
Degree of protection	IP20
Dimmable	No
Control	on/off
Bulb change possible	The light source of this luminaire may only be replaced by the manufacturer or a service technician commissioned by him or a similarly qualified person.

Mounting technology	
Mounting method	Surface mounting
Place of installation	Ceiling-mounted
Adjustability	Rotatable and adjustable head
Swivel angle	90°
Rotation angle	355°
Head adjustable angle	90°
Material cover	Without cover

Packing data	
Gross weight	0.891 kg
Length of packaging	135 mm
Packaging width	135 mm
Packaging height	130 mm
Disposal at end of life	This product must not be disposed of with household waste. You are obliged, to dispose of such electrical waste separately. By disposing of electrical waste and other old or defective electronics separately, you support recycling or other forms of re-use. In that way you help to take care and to avoid that harmful substances get into the environment.