



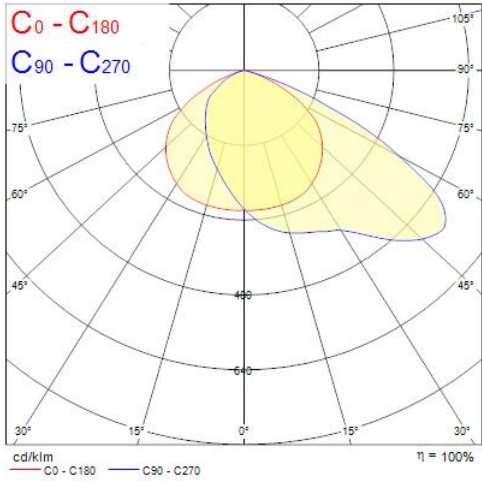
## Features

- Exterior LED Floodlight, comes complete with 1500mm flying lead and adjustable bracket, aluminium housing, clear glass diffuser, IP66, IK08, Class I, 4000K, Non-dimming, 13200lm, 100W, 132lm/W, CRI80, Asymmetrical Wide beam angle (65° x 120° imax@55°), 60000 hrs L70B50 lifetime, 418 x 330 x 77mm (LxWxD) dimensions, 3.9kg weight.

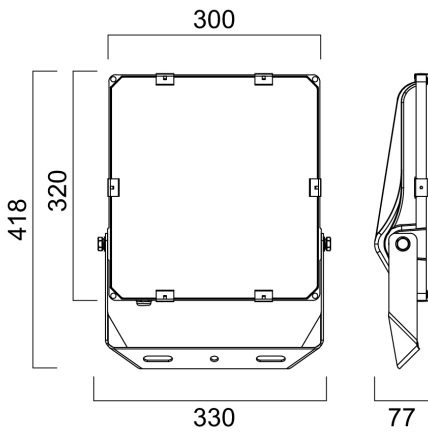
## Product Overview

Product name	Kalani IP66 13KLM 840 ASYM
Technology	LED
General application	Logistics & Industry
Fixture luminous flux (lm)	13200
Luminaire efficacy (lm/W)	132
Colour temperature (K)	4000
Light colour	Neutral White
CRI (Ra)	70
Colour Variation Initial (SDCM)	3
Beam Angle (°)	65*120
Photobiological Risk Group	RG1
Total power consumption (W)	100
Electrical protection	Class I
IP rating	IP66
IK rating	IK08

### Photometry



### Technical drawings



### Data table

#### GENERAL DATA

Product name

Kalani IP66 13KLM 840 ASYM

## Kalani IP66 13KLM 840 ASYM 0048537

Technology	LED
General application	Logistics & Industry
Operating temperature range (°C)	-30°C - 50°C
Performance ambient temperature Tq (°C)	25

### OPTICAL DATA

Fixture luminous flux (lm)	13200
Luminaire efficacy (lm/W)	132
Colour temperature (K)	4000
Light colour	Neutral White
CRI (Ra)	70
Colour Variation Initial (SDCM)	3
Beam Angle (°)	65*120
Photobiological Risk Group	RG1

### ELECTRICAL DATA

Total power consumption (W)	100
Mains voltage (V)	220-240V~
Lamp power factor	0.98
Electrical protection	Class I
Control gear required	No
Drive current (mA)	1950
Inrush Current (A)	60
Inrush Duration (µs)	450
Nominal Frequency (Hz)	50/60Hz
Max. Luminaires per 10A C Breaker	4
Max. Luminaires per 13A C Breaker	5
Max. Luminaires per 16A C Breaker	7
Max. Luminaires per 20A B Breaker	5
Mains surge immunity (differential mode -> L-N) (kV)	6
Mains surge immunity (common mode -> L/N - GND) (kV)	10

## LIFETIME DATA

Lumen maintenance - L70 B50	60000
Lumen maintenance - L80 B50	60000

## PHYSICAL DATA

IP rating	IP66
IK rating	IK08
Nominal Product Length (mm)	418
Nominal Product Width (mm)	330
Weight (kg)	3.9

## PACKAGING


Single packaging type	Carton
Packaging single width (cm)	12.0
Packaging single depth (cm)	37.0
DUN14 (outer)	05410288485379
Packaging outer length / height (cm)	48.0


## SAFETY DATA

Optimal operating condition (°C)	-30-50
Special purpose lamp	No
Dry applications use only	No
Suitable for household illumination	No

## Energy label

**SYLVANIA** 0048537

 This luminaire contains built-in LED lamps

 } LED

The lamps cannot be changed in the luminaire.

874/2012 