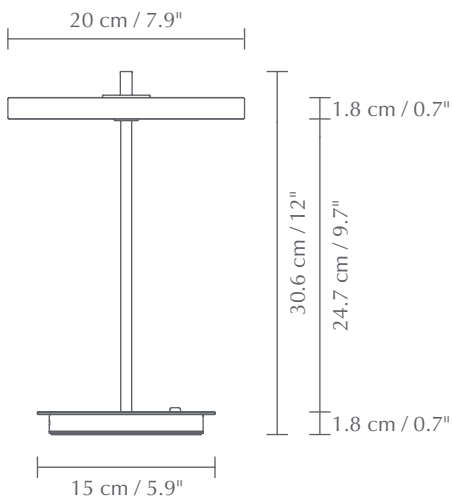


ASTERIA MOVE | V2

Designed by Søren Ravn Christensen



Portable table lamp with built-in lithium-Ion battery



TESTS & CERTIFICATIONS

CE (for indoor use), cETLus certified



USB-C cable and power adaptor incl.



DIMENSIONS

Ø: 20 cm / 7.9"
H: 30.6 cm / 12"



MATERIAL

Steel, aluminium and PMMA



WARRANTY

10 years warranty against manufacturer defects



WEIGHT

1.1 kg / 2.4 lb



WEIGHT INCL. PACKAGING

1.7 kg / 3.7 lb



LIGHT SOURCE

LED panel built-in
Light step 1: 3000 K - 5 lumen. CRI: 81. 168 H
Light step 2: 3000 K - 20 lumen. CRI: 81. 50 H
Light step 3: 3000 K - 50 lumen. CRI: 81. 20 H
Light step 4: 3000 K - 100 lumen. CRI: 81. 10 H



PACKAGING DIMENSIONS (L x W x H)

24.1 x 24.1 x 9.6 cm / 9.5 x 9.5 x 3.8"



ASSEMBLY TIME

5 min - video guide at umage.com



MEDIA KIT

Photos and press material
Download at umage.presscloud.com



ORDERING INFORMATION

Asteria Move pearl white	#2500
Asteria Move anthracite grey	#2501
Asteria Move forest green	#2502
Asteria Move black	#2504

Colour variations



pearl
white
(RAL: 9001)



anthracite
grey
(RAL: 7016)



forest
green
(RAL: 6004)



black
(RAL: 9005)



ASTERIA MOVE | V2

Designed by Søren Ravn Christensen



PORTABLE LAMP FOR MOMENTS ON THE MOVE

Introducing Asteria Move: An UIMAGE classic with a twist. Asteria Move gives you the minimal and elegant Asteria design you already know and love, but in a smaller and cordless version, making it easy to move around, hence the name. The lamp has a custom LED lighting built-in with a soft white diffuser that ensures a glare-free glow and the brass stem going through the lamp offers a tight and sophisticated expression. Asteria Move has four levels of lighting and can be adjusted as desired.

Find more info on our website umage.com

RECOMMENDED ACCS.

Unifier black chrome	EU/UK/APAC #4185 / US N/A
Unifier white rose gold	EU/UK/APAC #4186 / US N/A
Unifier Hub black	EU/UK/APAC #4193 / US N/A
Charging Station	EU/UK/APAC #4189 / US N/A

