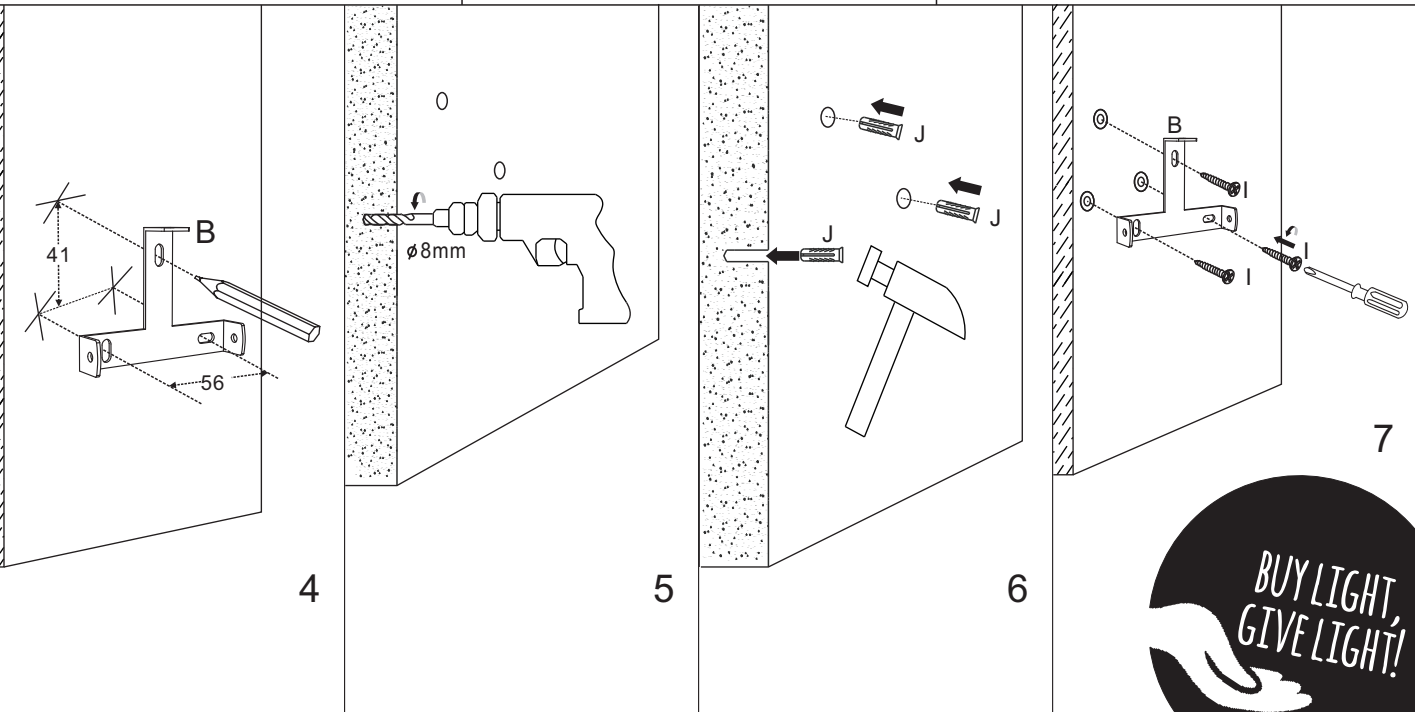
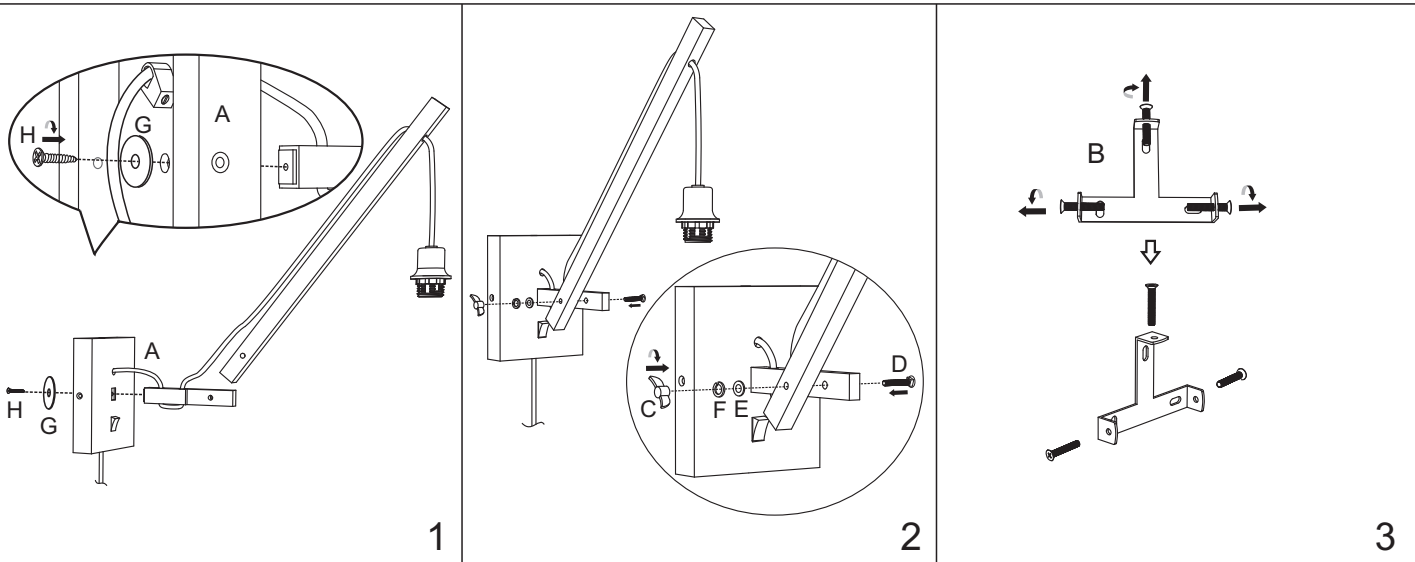
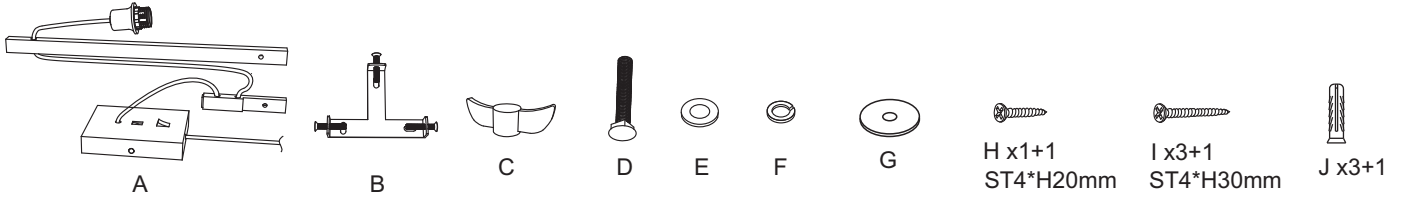


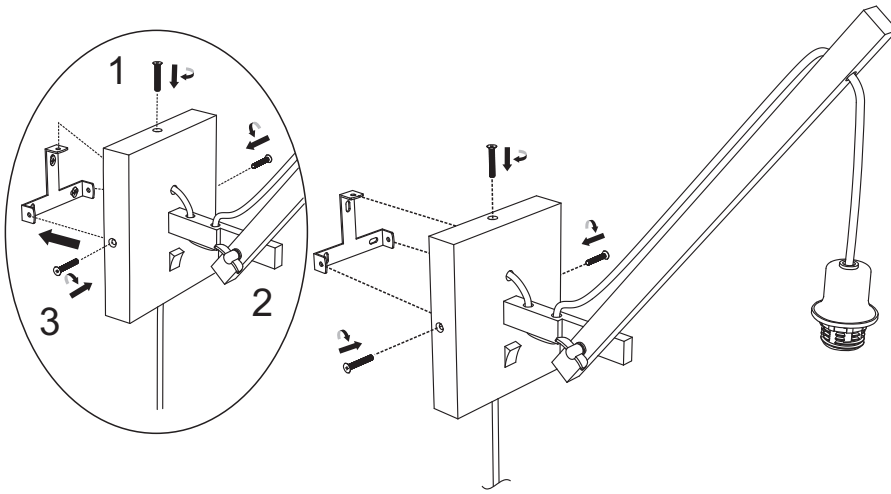
ANDES/W2/B ANDES/W2/N



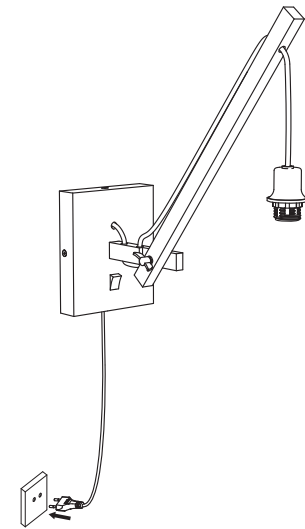
WE DONATE TO THE WAKAWAKA FOUNDATION.
 THIS FOUNDATION PROVIDES SOLAR LAMPS TO PEOPLE IN NEED OF LIGHT.
 READ MORE ABOUT THE GOOD WORK OF WAKAWAKA ON OUR SITE.
AND FOR EACH LAMP WE SELL, A TREE IS PLANTED!



THANK YOU FOR BUYING THIS SUSTAINABLE LAMP
WWW.GOODANDMOJO.NL

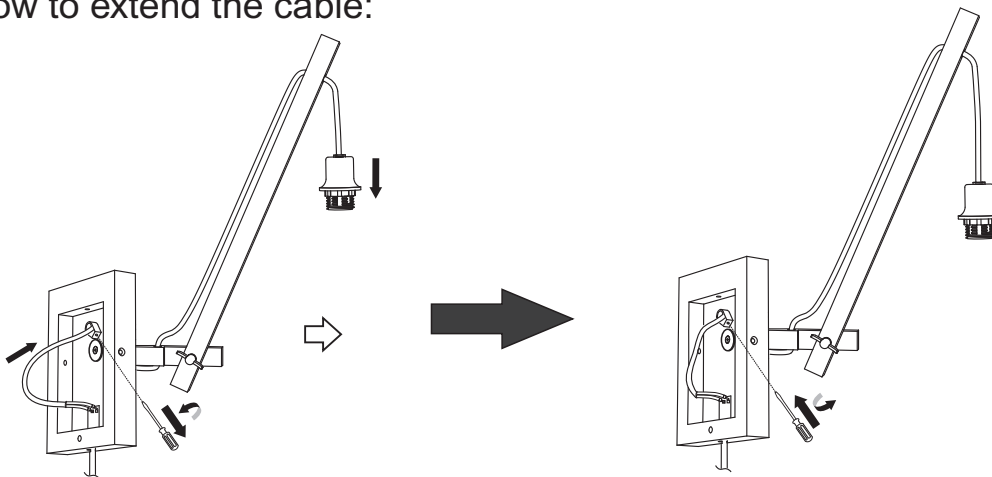


8



9

how to extend the cable:



TIP: how to fix the lamp on the wall

1. Fix the top screw half way (50%)
2. Fix the right side screw half way (50%)
3. Fix the left side screw half way (50%)
4. If all screws have grip already, then you can tighten the screws up to 100%

PACKING DETAILS

Box size: 16 X 7.5 X 42.5 CM
 Total cbm: 0.005cbm
 G.w.: 0.8 KGS
 N.w.: 0.6 KGS
 Number of boxes: 1 pc



WE DONATE TO THE WAKAWAKA FOUNDATION.
 THIS FOUNDATION PROVIDES SOLAR LAMPS TO PEOPLE IN NEED OF LIGHT.
 READ MORE ABOUT THE GOOD WORK OF WAKAWAKA ON OUR SITE.
AND FOR EACH LAMP WE SELL, A TREE IS PLANTED!



THANK YOU FOR BUYING THIS SUSTAINABLE LAMP
WWW.GOODANDMOJO.NL