



WEVER & DUCRÉ
LIGHTING

BOX 1.0 PAR16

146120G0

Project
Type
Notes
Quantity
Date

GENERAL

Ceiling
 Surface
 Gold
 IP20
 Interior
 420^a, 455^b, 460^c lm

LED

Lamp PAR16
 PAR16
 Socket GU10
 max. 12 W
 L70 / 50000 h

OPTICAL

Beam angle 47°

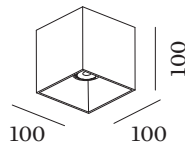
PHYSICAL

Length 100 mm
 Width 100 mm
 Height 100 mm
 0.66 kg

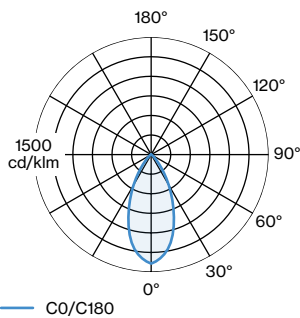
ELECTRICAL

100 - 240 V
 Total connected power 8.8^c, 8.9^b, 10^a
 W
 PC1
 Safety distance 0.3 m

- ^a LED 1800-2850K CRI 90 silver
- ^b LED 3000K CRI 80 white
- ^c LED 2700K CRI 80 white



LIGHT DISTRIBUTION



[146120G0] The technical data represent rated values for an ambient temperature of 25°C. The data values for the luminous flux are initially subject to a tolerance of +/- 10%, those for the electrical connected load are initially subject to a tolerance of +/- 10%, and those for the colour temperature are initially subject to a tolerance of +/- 150 K. No liability is assumed for typographical or printing errors. The general terms and conditions of Wever & Ducré BVBA apply.
 © Wever & Ducré BVBA · Spinnerijstraat 99/21 · 8500 Kortrijk · Belgium · www.weverducre.com



WEVER & DUCRÉ
LIGHTING

BOX 1.0 PAR16

146120G0

CONE DIAGRAM

LED 1800-2850K CRI ≥ 90 :

h (m)	E0° (lx)	Φ (m)
1	582	0.88
2	146	1.75
3	64	2.63
4	36	3.50
5	23	4.38

LED LAMPS

PAR16 LED Lamp

TYPE	COLOUR	Ø-H (MM)	ORDERCODE
2700K >90 CRI GU10	Jet Black	∅50-58	9 0 1 2 2 8 B 3
3000K >90 CRI GU10	Jet Black	∅50-58	9 0 1 2 2 8 B 5
2700K >80 CRI GU10	Signal White	∅50-58	9 0 1 2 2 8 W 2
2700K >90 CRI GU10	Signal White	∅50-58	9 0 1 2 2 8 W 3
3000K >80 CRI GU10	Signal White	∅50-58	9 0 1 2 2 8 W 4

PAR16 LED Lamp | Ambient

TYPE	Ø-H (MM)	ORDERCODE
1800-2850K >90 CRI GU10	∅50-58	9 0 1 2 2 9 S 9

COVER

Single Inner Cover

TYPE	COLOUR	L-W-H (MM)	ORDERCODE
BOX max. 10W	Jet Black	62-62-49	9 1 1 0 1 1 B 1
BOX max. 10W	Gold	62-62-49	9 1 1 0 1 1 G 1
BOX max. 10W	Signal White	62-62-49	9 1 1 0 1 1 W 1

REFLECTOR

Single Inner Reflector

TYPE	COLOUR	L-W-H (MM)	ORDERCODE
BOX max. 10W	Signal Black	93.5-93.5-50.5	9 1 1 2 1 1 B 1
BOX max. 10W	Gold	93.5-93.5-50.5	9 1 1 2 1 1 G 1
BOX max. 10W	Pure White	93.5-93.5-50.5	9 1 1 2 1 1 W 1