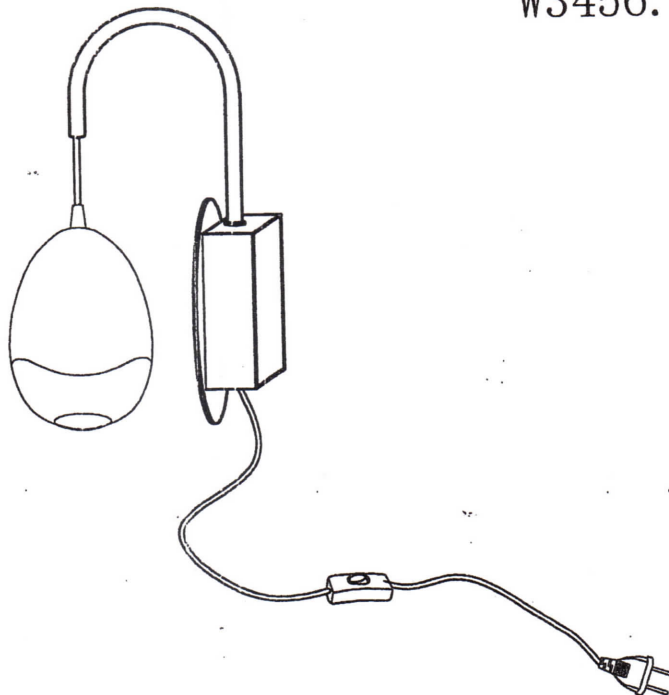


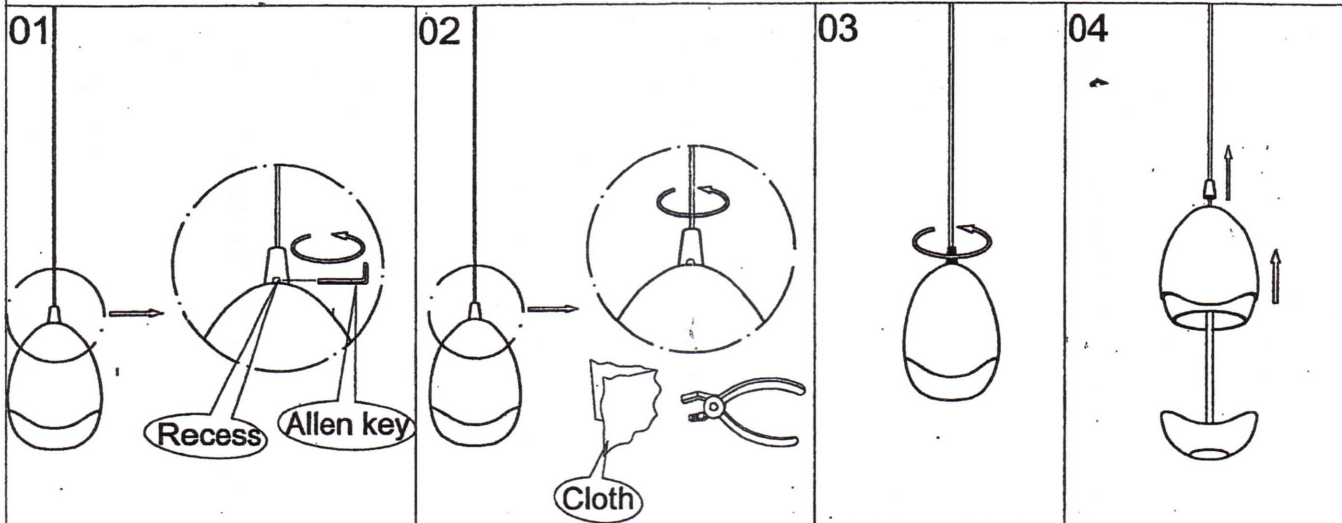
W3456. 01  
W3456. 20



1. This light fitting operates at a normal supply voltage of 220-240V.
2. When changing the bulb or fuses, always switch off at the mains and allow the old bulb to cool down before handling.

# How to clean the inside of glass

## Step A: Disassemble the head



## Step B: Wipe the inner surface of glass with soft clean dry cloth gently

## Step C: Reassemble the head

