

Safety Instructions

1, 2, 3, 4, 5, 6, 7, 10, 12, 15, 16
17, 18, 19, 20, 24, 28, 33, 34



Info Hotline

+49 (0) 5041 998 389



Mon.- Do. 7^{00-20⁰⁰}
Fr. 7^{00-17⁰⁰}

Paulmann Licht GmbH
Quezinger Feld 2
31832 Springe
Germany

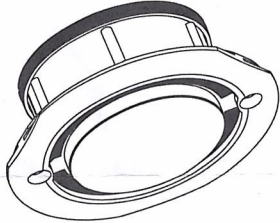
www.paulmann.com

Art.-Nr.:
937.40
937.41
937.42
937.43
937.44
937.45

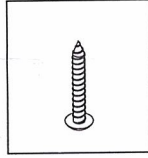
(+MA 0326)PKE 08/16



937.40
937.41

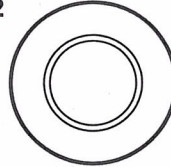


1x



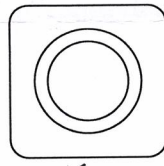
incl.

937.42



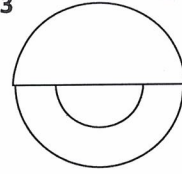
1x

937.44



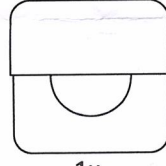
1x

937.43

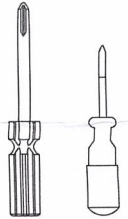


1x

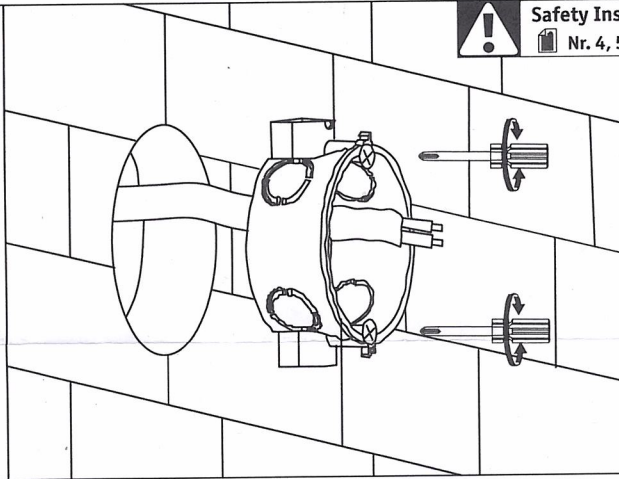
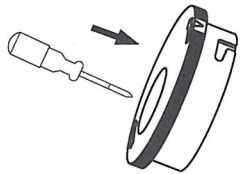
937.45



1x

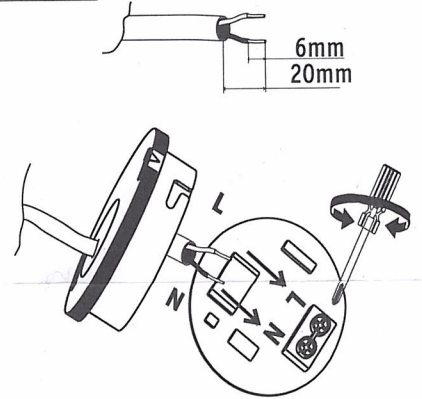


A

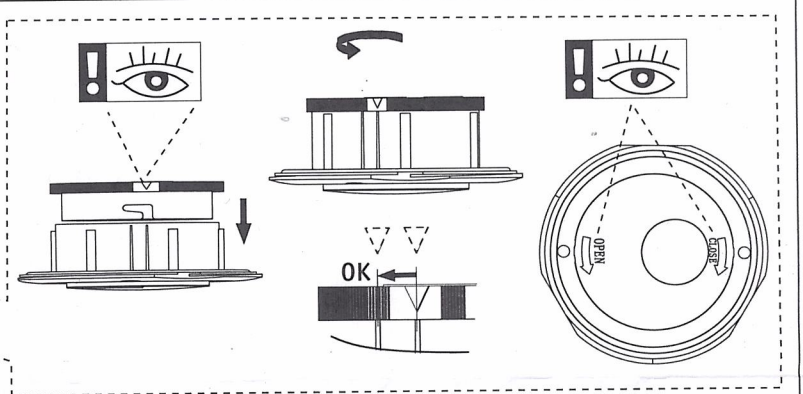
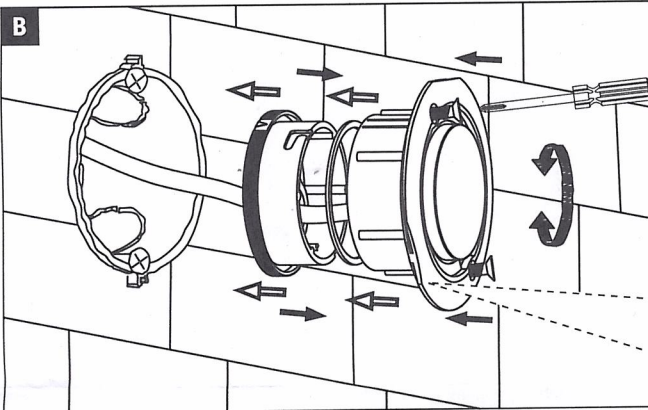


Safety Instructions

Nr. 4, 5, 6, 7, 19, 20



B



C

