

OMNI TABLE

Designed by Søren Ravn Christensen





 Table lamp

 **TESTS & CERTIFICATIONS**
CE (for indoor use), IP2X


 USB-port incl.

 **DIMENSIONS**
Ø: 17.7 cm / 12.2"
H: 44.5 cm / 17.5"


 **MATERIAL**
Steel, aluminium, PP and PMMA
Incl. 2 m / 6'6" black cord

 **WARRANTY**
10 years warranty against manufacturer defects

 **WEIGHT INCL. PACKAGING**
2.1 kg / 4.6 lb

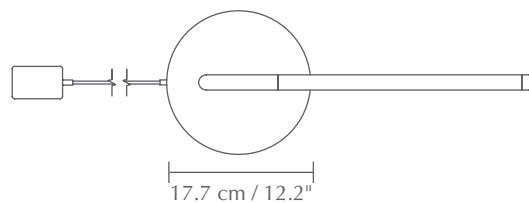
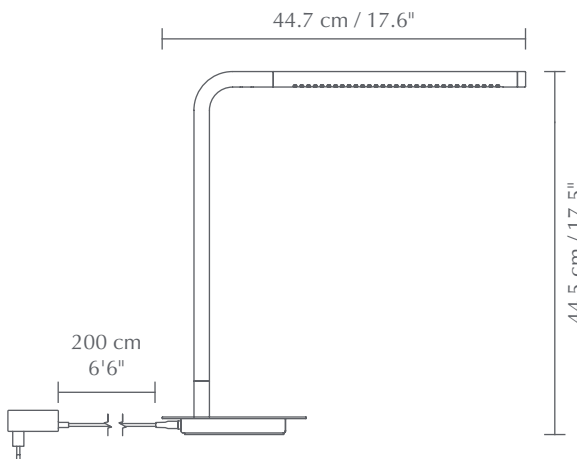
 **LIGHT SOURCE**
12W LED panel built-in. 3000 K - 460 lumen CRI: 90
25000 H. Dimmable

 **PACKAGING DIMENSIONS (L x W x H)**
9.2 x 21.4 x 44.7 cm / 3.6 x 8.4 x 17.6"

 **ASSEMBLY TIME**
5 min - video guide at umage.com

 **MEDIA KIT**
Photos and press material
Download at umage.presscloud.com

 **ORDERING INFORMATION**
Omni table #2449



Colour variations



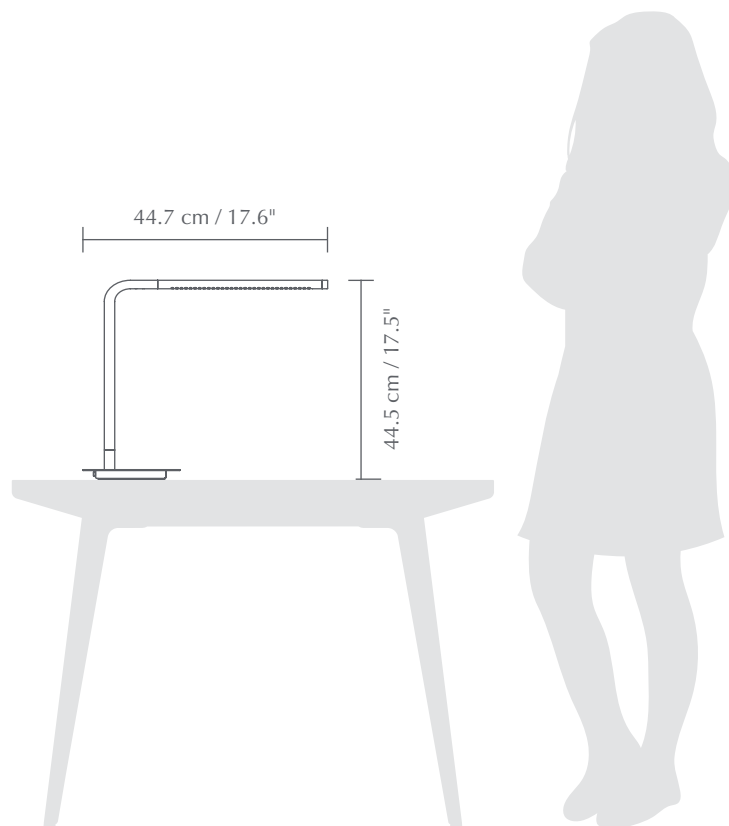
brushed
brass


UMAGE

The specifications and dimensions are subject to change without notice. Document date: 01-09-2022 | info@umage.com | umage.com
Havnegade 29, DK-1058 Copenhagen K | +45 31 39 31 31 (tel) & 185 Wythe Ave 2FL, Brooklyn, NY 11249 | +1 646-790-7171 (tel)

OMNI TABLE

Designed by Søren Ravn Christensen



UMAGE