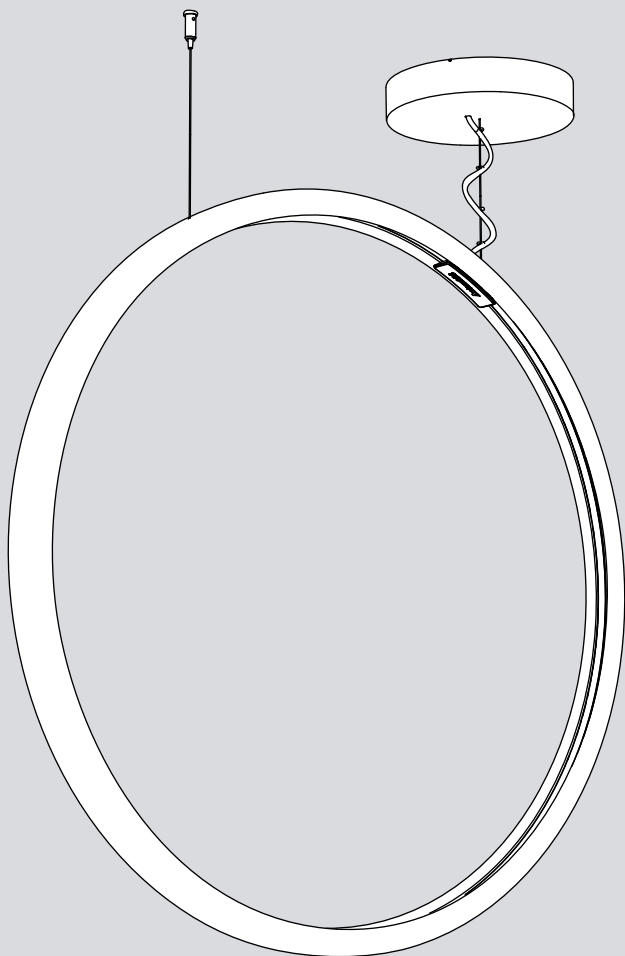


Artemide®

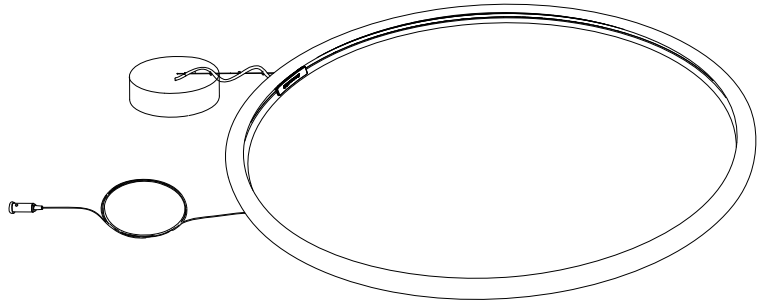
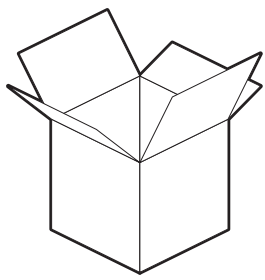
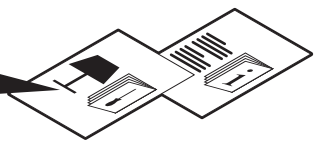
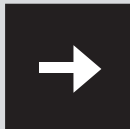
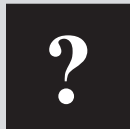
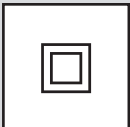
“O” Suspension

design
Elemental

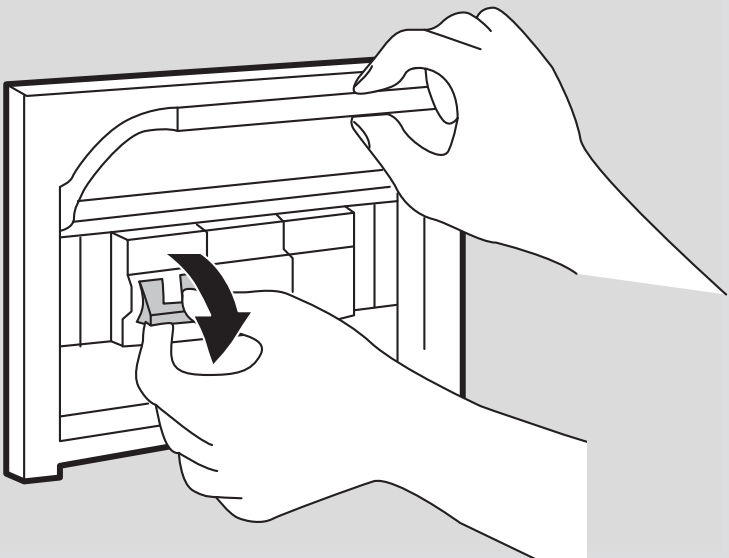
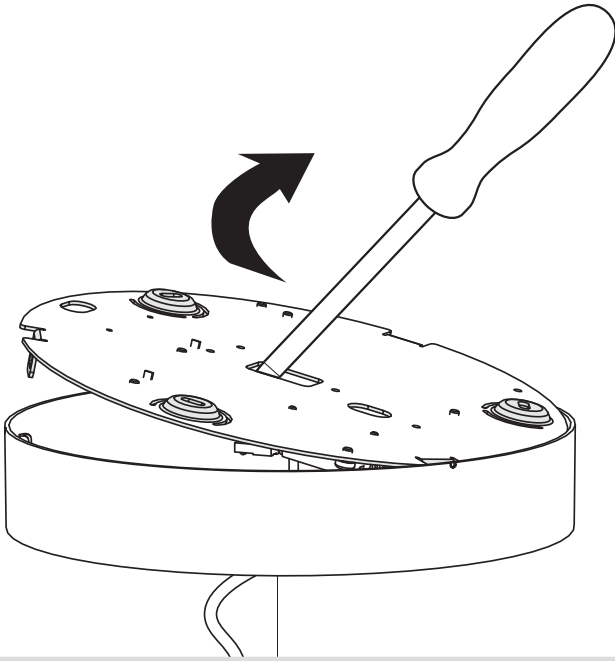




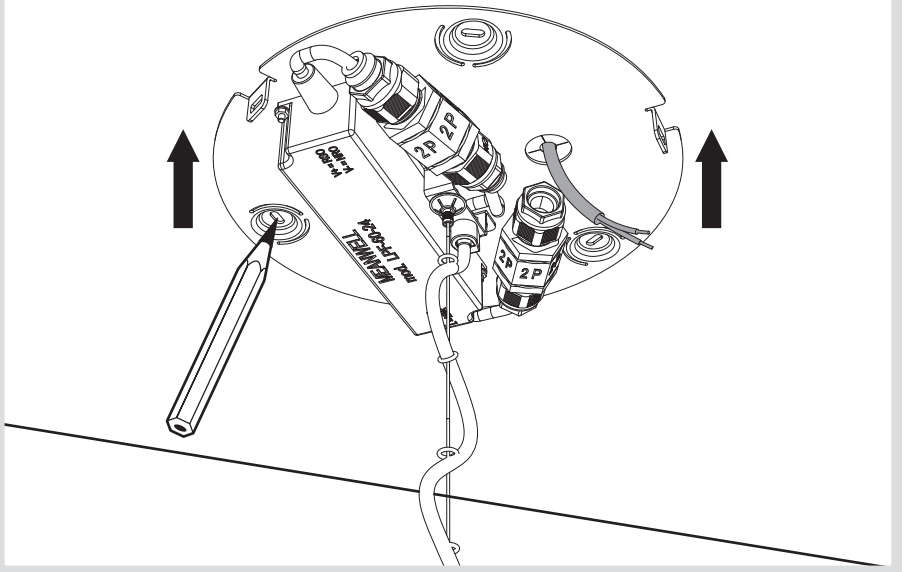
i



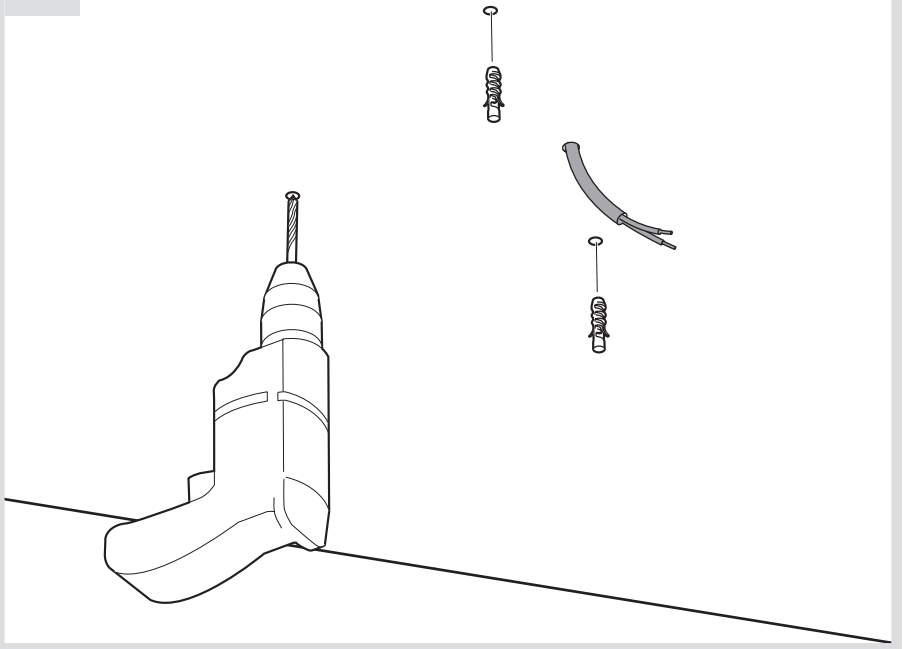
1



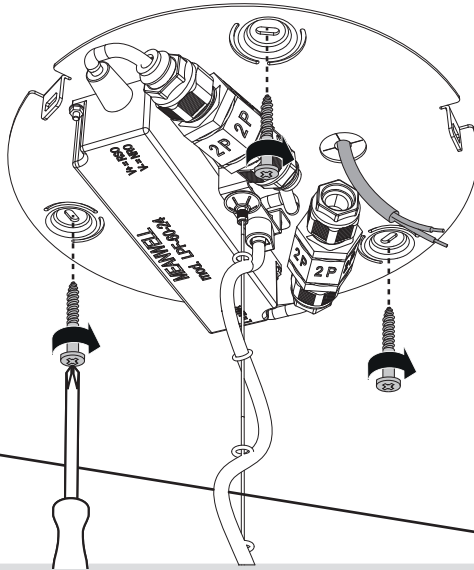
2



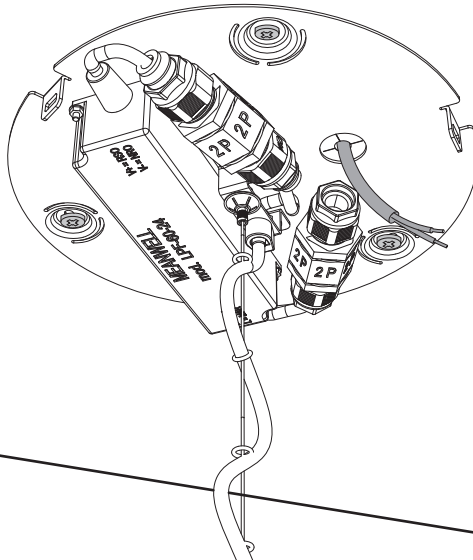
3



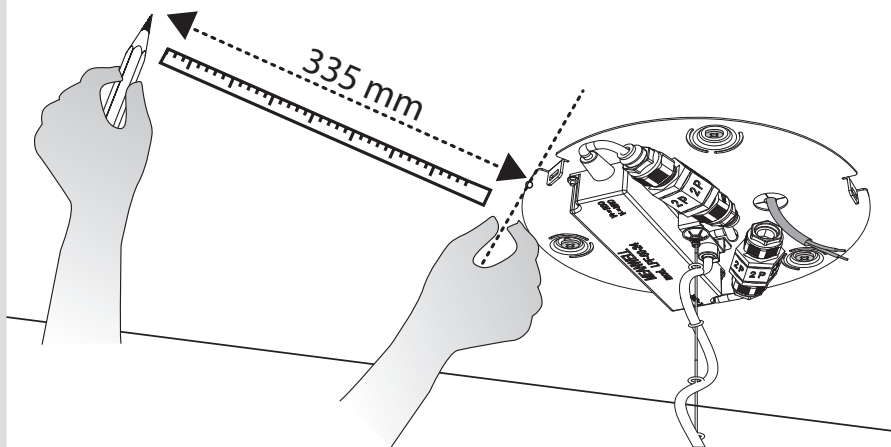
3



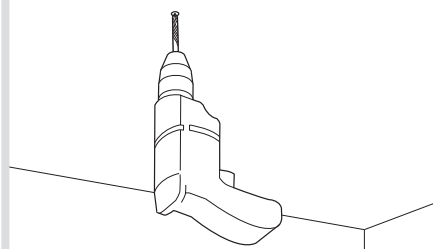
4



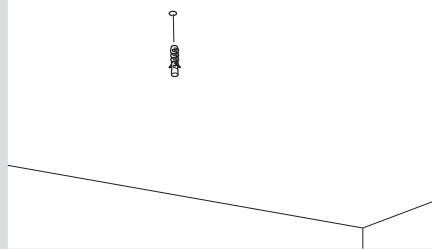
5



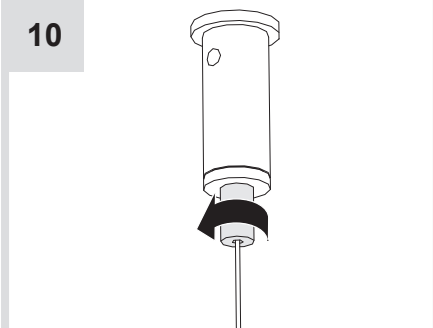
8



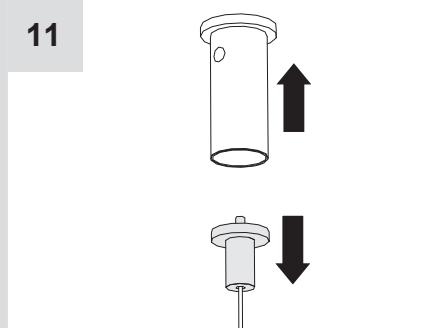
9



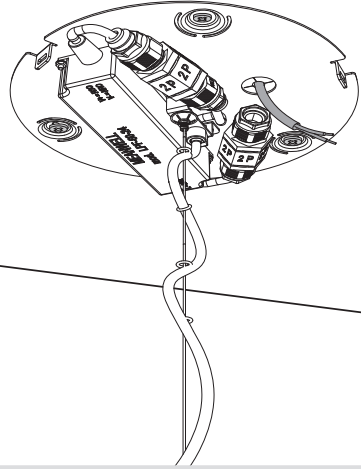
10



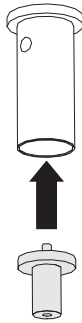
11



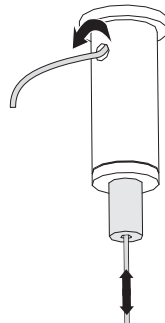
7



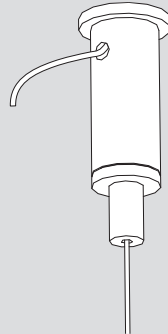
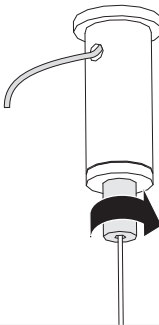
13



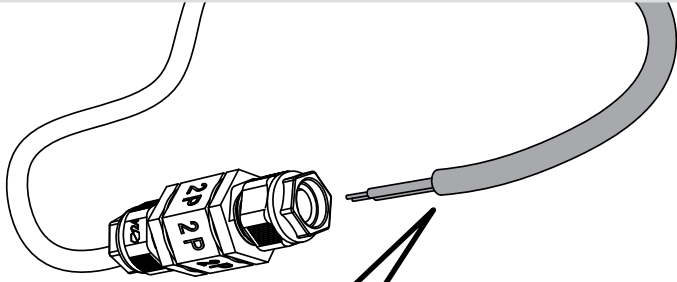
14



15

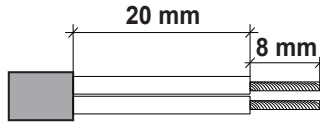


9

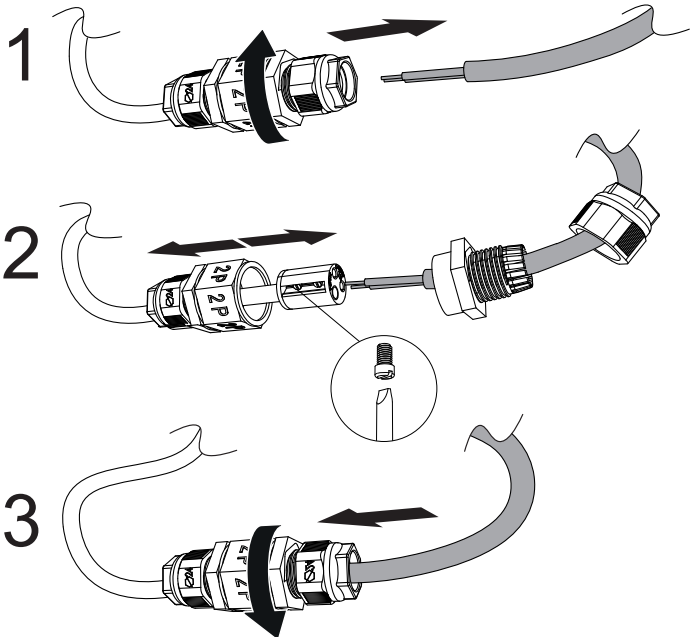


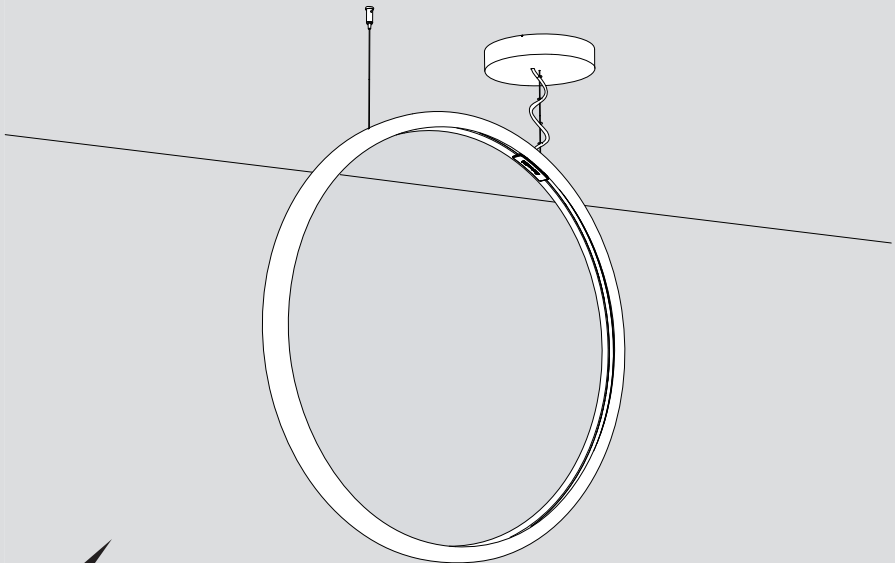
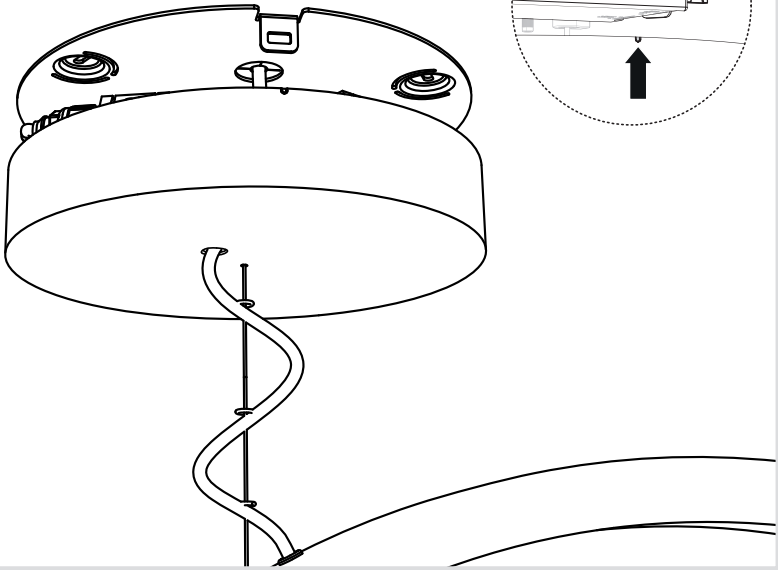
H05RN-F
H07RN-F

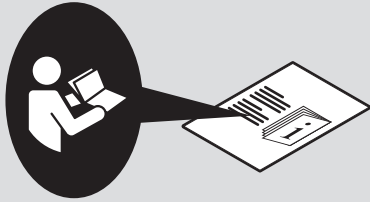
Ø 7 - 13.5 mm



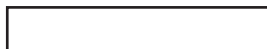
10







Artemide®



Artemide

via Bergamo, 18
20010 Pregnana M.se (MI)
ITALIA

tel. +39 02 935 181
fax +39 02 935 90 254
fax +39 02 935 90 496

www.artemide.com

VAT IT00846890150

cod. Y513001009