



PRODUCT SHEET

Collector Chandelier
by Alf Svensson

The Collector, Chandelier 3 is part of a collection of lights designed in the 1950s by Alf Svensson. Set on a solid brass pipe ring, six perforated metal shades emit light both upwards and downwards to illuminate spaces with its timeless aesthetic.

PRODUCT OPTIONS



Crème
1394649

TECHNICAL SPECIFICATIONS

PRODUCT TYPE
Chandelier

WEIGHT
2,2 kg / 4,8 lb

CORD MATERIAL AND COLOUR
Flexible PVC cable, black, plug, black.

COLLI
1

VOLTAGE
CE: 220-240 V
US: 110-130 V

CORD LENGTH
400 cm / 158,5"

ENVIRONMENT
Indoor

LIGHT SOURCE & ENERGY EFFICIENCY CLASS
GU10 (CE) - 6 pcs
GU10 (US) - 6 pcs

CLASSIFICATION
IP20, Class II

DIMENSIONS
H: 25 cm / 9,8"
Ø: 61 cm / 24"

Max 35 Watt

CERTIFICATIONS
CE certified, tests can be obtained upon request.

COLOUR
Polished brass, crème

LIGHT SPECIFICATION
Bulbs not included.

PACKAGING TYPE
Brown box

PRODUCTION PROCESS
Spun aluminium shade with milled brass details.

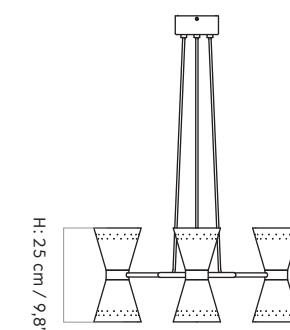
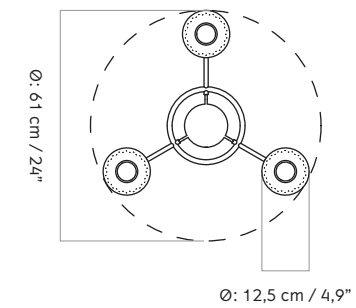
DIMMER
No. The lamp can be connected to a dimmer system.

PACKAGING MEASUREMENTS (H x W x D)
32,5 cm x 60 cm x 66 cm / 12,8" x 23,6" x 25,9"

MATERIALS
Brass, steel, aluminium

CANOPY
Yes, Brass, steel
Ø: 11,5 cm / 4,5"

MATERIALS & MAINTENANCE
Please visit menuspace.com for materials and care and maintenance instructions.



Part of a collection of lights designed in the 1950s by Alf Svensson, the Collector, Chandelier 5 is striking in its mid-century aesthetic. A polished brass ring holds ten perforated metal shades to project the light both upwards and downwards.

PRODUCT OPTIONS



Crème
1393649

TECHNICAL SPECIFICATIONS

PRODUCT TYPE
Chandelier

WEIGHT
3,5 kg / 7,7 lb

CORD MATERIAL AND COLOUR
Flexible PVC cable, black, plug, black.

COLLI
1

VOLTAGE
CE: 220-240 V
US: 110-130 V

CORD LENGTH
400 cm / 158,5"

ENVIRONMENT
Indoor

LIGHT SOURCE & ENERGY EFFICIENCY CLASS
GU10 (CE) - 10 pcs
GU10 (US) - 10 pcs

CLASSIFICATION
IP20, Class II

DIMENSIONS
H: 26 cm / 10,2"
Ø: 66,5 cm / 26,1"

Max 35 Watt

CERTIFICATIONS
CE certified, tests can be obtained upon request.

COLOUR
Polished brass, crème

LIGHT SPECIFICATION
Bulbs not included.

PACKAGING TYPE
Brown box

PRODUCTION PROCESS
Spun aluminium shade with milled brass details.

DIMMER
No. The lamp can be connected to a dimmer system.

PACKAGING MEASUREMENTS (H x W x D)
35 cm x 72 cm x 76 cm / 13,8" x 28,3" x 30"

MATERIALS
Brass, steel, aluminium

CANOPY
Yes, Brass, steel
Ø: 11,5 cm / 4,5"

MATERIALS & MAINTENANCE
Please visit menuspace.com for materials and care and maintenance instructions.

