

Multi-Lite Pendant - Small, Brass base, EU

Louis Weisdorf - 1972



ITEM NUMBER	Multi-Lite Pendant - Small, Brass base (Shiny Brass), EU	10032993
	Multi-Lite Pendant - Small, Brass base (White Semi Matt), EU	10032994
	Multi-Lite Pendant - Small, Brass base (Black Semi Matt), EU	10032996
	Multi-Lite Pendant - Small, Brass base (Midnight Blue), EU	10074006

DESCRIPTION

The small Multi-Lite Pendant embraces the golden era of Danish design with its characteristic shape of two opposing outside, mobile shades that enable creating a personal installation and a wide range of lighting values in a room. By individually rotating the shades, the Multi-Lite Pendant can be transformed into multiple combinations where the light can be directed upwards, downwards or exude an asymmetrical art light.

The Multi-Lite was first drawn in 1972 when Louis Weisdorf did an exception to his own design custom of using multiple repeating elements. Instead it reflects his passion for diversity. Two cylindrical shapes lay the foundation of the lamp and a metal ring encompasses it and anchors the two quarter-spherical shades, which ultimately completes a picture of an iconic design with multiple purposes. The Multi-Lite Pendant has a timeless expression that fits into any domestic setting.

Materials & Finishes

SHADE FINISH

Shiny Brass, White Semi Matt, Black Semi Matt, Midnight Blue



BASE FINISH

Brass base



CORD SHAPE

Round

CORD COLOUR

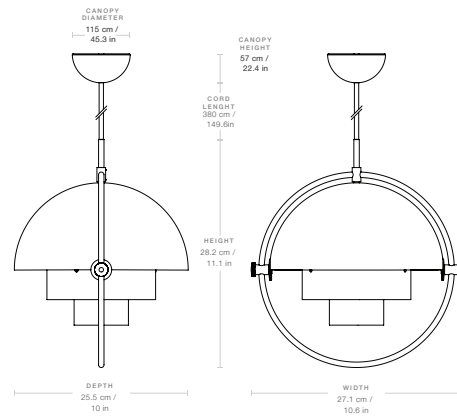
Black textile

MATERIALS

Steel

Dimensions & Weight

LAMP WIDTH	27.1 cm / 10.6 in
LAMP DEPTH	25.5 cm / 10 in in
LAMP HEIGHT	28.2 cm / 11.1 in
SHADE WIDTH	22.5 cm / 8.9 in
SHADE DEPTH	22.5 cm / 8.9 in
SHADE HEIGHT	19.2 cm / 7.6 in
CANOPY WIDTH	115 cm / 45.3 in
CANOPY DEPTH	115 cm / 45.3 in
CANOPY HEIGHT	57 cm / 22.4 in
CORD LENGTH	380 cm / 149.6 in



Weight

TOTAL WEIGHT	1.5 kg / 3.3 lbs
--------------	------------------

Packaging

NUMBER OF PARCELS	1
PACKAGING LENGTH	37 cm / 14.6 in
PACKAGING WIDTH	27 cm / 10.6 in
PACKAGING HEIGHT	31 cm / 12.2 in
PACKAGING WEIGHT	0.9 kg / 2 lbs

GROSS WEIGHT 2.4 kg / 5.3 lbs

Electrical Specifications


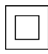

BULB SOCKET EU – E14

RECOMMENDED BULB 470 Lumen ($\leq 40W$ incandescent $\leq 30W$ halogen, ~ 5-6W LED Dimmable)

VOLTAGE 240v

BULB INCLUDED No

Test & Certifications

CERTIFICATION   

ISOLATION CLASS II

IP CLASSIFICATION 20

SUSTAINABILITY Parts can be separated and sorted for recycling

KEY FEATURES Adjustable quarter-sphere shades.
