

### Features

- Ceiling / wall luminaire with integrated LED. Perfect solution for hallways, circulation spaces or foyers. Body Size diameter 400mm. Besa mounting box compatible, hole distance 51 & 78mm. DualTone functionality enables switch between 3000K and 4000K colour temperatures. With the help of DIP Switch multiple lumen outputs can be set up in 4 steps. Max. power 34W, fixture lumen up to 3550lm (4000K), efficacy up to 105lm/W. Supplied with integrated PIR (infra-red) sensor for automatic on-off presence control. Non-dimmable. IK03, IP54. Low maintenance with lifespan 120,000 hours L70:B50.

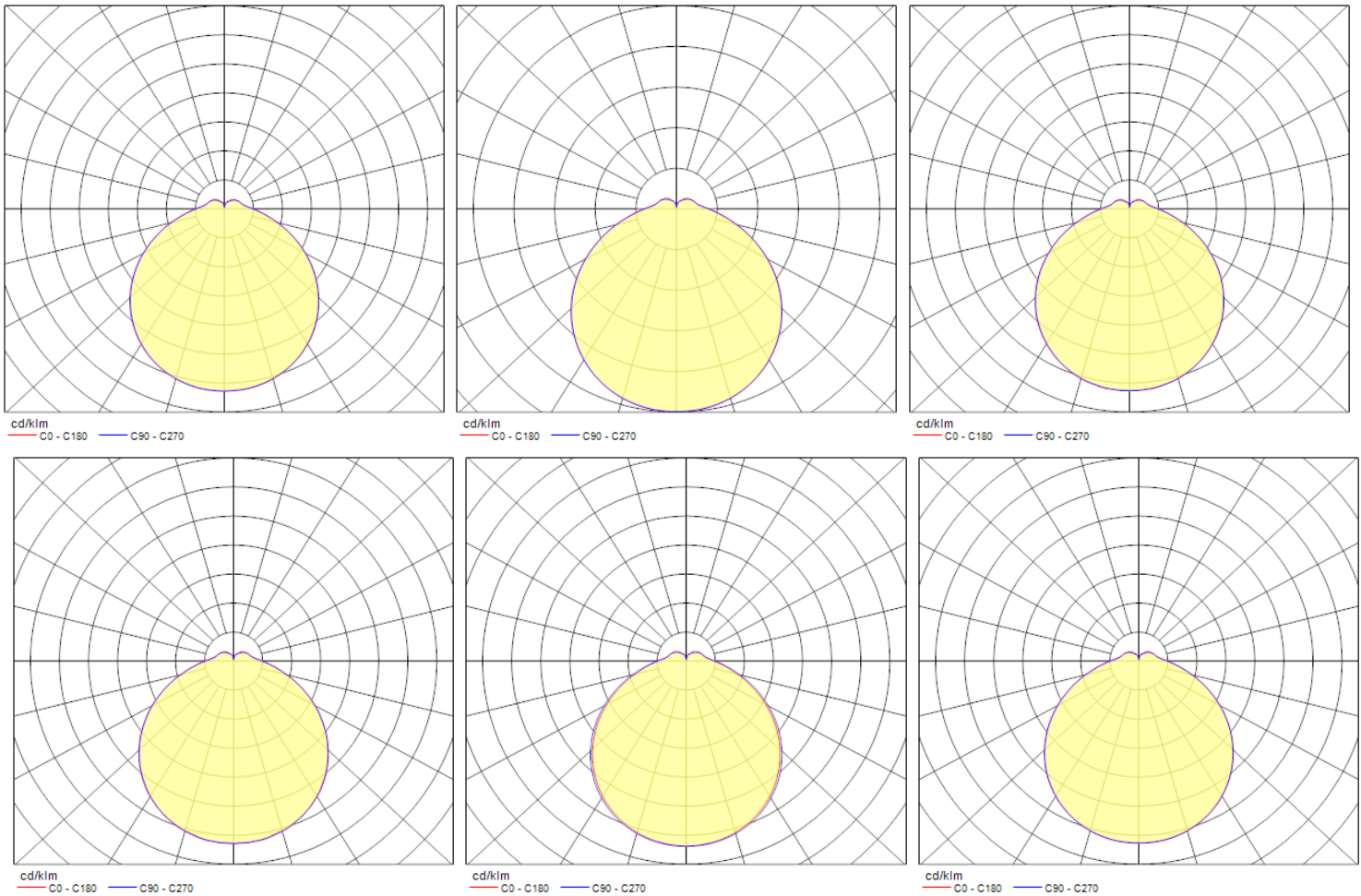
### Product Overview

<b>Product name</b>	START Surface IP54 Multipower PIR 3550lm 830/840
<b>Technology</b>	LED
<b>Cap/Base</b>	N/A
<b>Housing</b>	PC Polycarbonate
<b>Mount</b>	Ceiling surface mounting
<b>General application</b>	Museums & Galleries, Hospitality
<b>ETIM Class</b>	EC002892
<b>Fixture luminous flux (lm)</b>	3550
<b>Luminaire efficacy (lm/W)</b>	104
<b>Light colour</b>	Warm White or Neutral White
<b>CRI (Ra)</b>	80
<b>Colour Variation Initial (SDCM)</b>	6
<b>Beam Angle (°)</b>	120
<b>Photobiological Risk Group</b>	RG1
<b>Total power consumption (W)</b>	34
<b>Electrical protection</b>	Class II
<b>Control gear type</b>	LED driver constant current

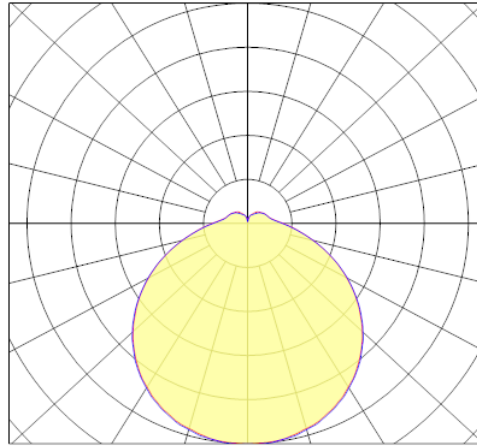
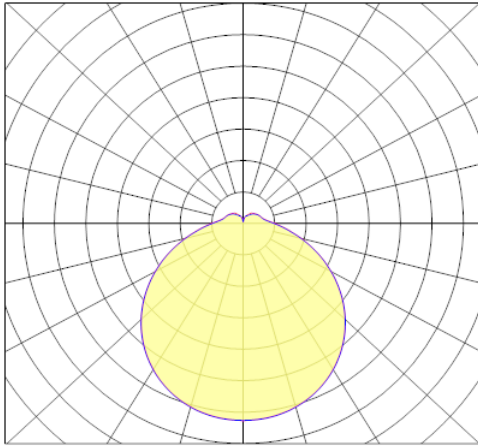
## START Surface IP54 Multipower PIR 3550lm 830/840 0043411

Dimmable	No
LED Flickering Rate	Low (6% - 20%)
Housing colour	RAL9003
IP rating	IP54
IK rating	IK03
Product EAN number	5410288434117
Warranty	5 years
Dimming method	N/A

### Photometry



## START Surface IP54 Multipower PIR 3550lm 830/840 0043411



Distance [m]	Cone diameter [m]	E(0°) E(C90) E(C0)	310 165
0.5	1.86	E(0°) E(C90) E(C0)	61.8° 61.8° 61.8°
1.0	3.73	E(0°) E(C90) E(C0)	61.8° 61.8° 61.8°
1.5	5.59	E(0°) E(C90) E(C0)	61.8° 61.8° 61.8°
2.0	7.46	E(0°) E(C90) E(C0)	61.8° 61.8° 61.8°
2.5	9.32	E(0°) E(C90) E(C0)	61.8° 61.8° 61.8°
3.0	11.19	E(0°) E(C90) E(C0)	61.8° 61.8° 61.8°

Distance [m] Cone diameter [m] Illuminance [lx]  
C0 - C180 (Half beam angle: 123.6°)

Distance [m]	Cone diameter [m]	E(0°) E(C90) E(C0)	2705 143 141
0.5	1.86 1.87	E(0°) E(C90) E(C0)	61.8° 61.9° 61.9°
1.0	3.73 3.75	E(0°) E(C90) E(C0)	61.8° 61.8° 61.9°
1.5	5.59 5.62	E(0°) E(C90) E(C0)	61.8° 61.8° 61.9°
2.0	7.46 7.49	E(0°) E(C90) E(C0)	61.8° 61.8° 61.9°
2.5	9.32 9.36	E(0°) E(C90) E(C0)	61.8° 61.8° 61.9°
3.0	11.19 11.24	E(0°) E(C90) E(C0)	61.8° 61.8° 61.9°

Distance [m] Cone diameter [m] Illuminance [lx]  
C0 - C180 (Half beam angle: 123.8°)  
C90 - C270 (Half beam angle: 123.6°)

Distance [m]	Cone diameter [m]	E(0°) E(C0)	2313 121
0.5	1.87	E(0°) E(C0)	61.9° 61.9°
1.0	3.75	E(0°) E(C0)	61.9° 61.9°
1.5	5.62	E(0°) E(C0)	61.9° 61.9°
2.0	7.49	E(0°) E(C0)	61.9° 61.9°
2.5	9.36	E(0°) E(C0)	61.9° 61.9°
3.0	11.24	E(0°) E(C0)	61.9° 61.9°

Distance [m] Cone diameter [m] Illuminance [lx]  
C0 - C180 (Half beam angle: 123.8°)

Distance [m]	Cone diameter [m]	E(0°) E(C90) E(C0)	3622 196 217
0.5	1.85 1.77	E(0°) E(C90) E(C0)	61.6° 61.6° 60.5°
1.0	3.70 3.53	E(0°) E(C90) E(C0)	61.6° 61.6° 60.5°
1.5	5.55 5.30	E(0°) E(C90) E(C0)	61.6° 61.6° 60.5°
2.0	7.40 7.07	E(0°) E(C90) E(C0)	61.6° 61.6° 60.5°
2.5	9.25 8.84	E(0°) E(C90) E(C0)	61.6° 61.6° 60.5°
3.0	11.10 10.60	E(0°) E(C90) E(C0)	61.6° 61.6° 60.5°

Distance [m] Cone diameter [m] Illuminance [lx]  
C0 - C180 (Half beam angle: 121.0°)  
C90 - C270 (Half beam angle: 123.2°)

Distance [m]	Cone diameter [m]	E(0°) E(C90) E(C0)	2994 157 155
0.5	1.87 1.88	E(0°) E(C90) E(C0)	61.9° 61.9° 62.0°
1.0	3.75 3.76	E(0°) E(C90) E(C0)	61.9° 61.9° 62.0°
1.5	5.62 5.64	E(0°) E(C90) E(C0)	61.9° 61.9° 62.0°
2.0	7.49 7.52	E(0°) E(C90) E(C0)	61.9° 61.9° 62.0°
2.5	9.36 9.40	E(0°) E(C90) E(C0)	61.9° 61.9° 62.0°
3.0	11.24 11.28	E(0°) E(C90) E(C0)	61.9° 61.9° 62.0°

Distance [m] Cone diameter [m] Illuminance [lx]  
C0 - C180 (Half beam angle: 124.0°)  
C90 - C270 (Half beam angle: 123.8°)

Distance [m]	Cone diameter [m]	E(0°) E(C0)	2805 138
0.5	1.86	E(0°) E(C0)	61.8° 61.8°
1.0	3.73	E(0°) E(C0)	61.8° 61.8°
1.5	5.59	E(0°) E(C0)	61.8° 61.8°
2.0	7.46	E(0°) E(C0)	61.8° 61.8°
2.5	9.32	E(0°) E(C0)	61.8° 61.8°
3.0	11.19	E(0°) E(C0)	61.8° 61.8°

Distance [m] Cone diameter [m] Illuminance [lx]  
C0 - C180 (Half beam angle: 123.8°)

Distance [m]	Cone diameter [m]	E(0°) E(C0)	2204 114
0.5	1.88	E(0°) E(C0)	62.0° 62.0°
1.0	3.76	E(0°) E(C0)	62.0° 62.0°
1.5	5.64	E(0°) E(C0)	62.0° 62.0°
2.0	7.52	E(0°) E(C0)	62.0° 62.0°
2.5	9.40	E(0°) E(C0)	62.0° 62.0°
3.0	11.28	E(0°) E(C0)	62.0° 62.0°

Distance [m] Cone diameter [m] Illuminance [lx]  
C0 - C180 (Half beam angle: 124.0°)

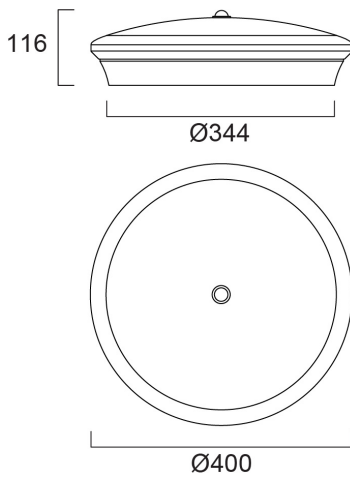
## START Surface IP54 Multipower PIR 3550lm 830/840 0043411

Distance [m]	Cone diameter [m]	E(0°)	E(C90)	E(C0)	Illuminance [lx]
0.5	1.86 1.86	61.8°	61.8°	61.7°	3414 180 182
1.0	3.73 3.71	61.8°	61.8°	61.7°	853 46 46
1.5	5.59 5.57	61.8°	61.8°	61.7°	379 20 20
2.0	7.46 7.43	61.8°	61.8°	61.7°	213 11 11
2.5	9.32 9.29	61.8°	61.8°	61.7°	137 7 7
3.0	11.19 11.14	61.8°	61.8°	61.7°	96 5 5

Distance [m]      Cone diameter [m]      Illuminance [lx]

— C0 - C180 (Half beam angle: 123.4°)  
— C90 - C270 (Half beam angle: 123.6°)

### Technical drawings



### Data table

#### GENERAL DATA

Product name	START Surface IP54 Multipower PIR 3550lm 830/840
Technology	LED
Cap/Base	N/A

## START Surface IP54 Multipower PIR 3550lm 830/840 0043411

Housing	PC Polycarbonate
Mount	Ceiling surface mounting
General application	Museums & Galleries, Hospitality
Operating temperature range (°C)	-20°C...+40°C
ETIM Class	EC002892
Warranty	5 years

### OPTICAL DATA

Fixture luminous flux (lm)	3550
Luminaire efficacy (lm/W)	104
Correlated colour temperature range (K)	3000 - 4000
Light colour	Warm White or Neutral White
CRI (Ra)	80
Colour Variation Initial (SDCM)	6
Beam Angle (°)	120
Distribution type	Symmetric
Photobiological Risk Group	RG1

### ELECTRICAL DATA

Total power consumption (W)	34
Primary Supply/Product voltage - min (V)	220.0
Primary Supply/Product voltage - max (V)	240.0
Lamp power factor	0.8
THD (at 230 V, 50 Hz, full load, at 100% dimming level) ≤ xx.x %	20
Electrical protection	Class II
Control gear required	No
Control gear type	LED driver constant current
No. Of switching cycles before premature failures	>100000
Dimmable	No
Dimming method	N/A
Drive current (mA)	176
Inrush Current (A)	3

## START Surface IP54 Multipower PIR 3550lm 830/840 0043411

Inrush Duration (µs)	100
Glow Wire Test (°C)	850
Energy Efficiency Class (A->G) of contained light source	C
Nominal Frequency (Hz)	50/60Hz
LED Flickering Rate	Low (6% - 20%)
Max. products per 10A C Breaker	37
Max. products per 13A C Breaker	48
Max. products per 16A C Breaker	60
Max. products per 20A C Breaker	74
Max. products per 10A B Breaker	22
Max. products per 13A B Breaker	29
Max. products per 16A B Breaker	35
Max. products per 20A B Breaker	44
Connectable conductor cross section - Max (mm <sup>2</sup> )	1.5

### LIFETIME DATA

Lifespan L70 B50	120000
Lifespan L70 B20	120000
Lifespan L70 B10	120000
Lifespan L80 B50	105000
Lifespan L80 B20	95000
Lifespan L80 B10	89000
Lifespan L90 B50	51000
Lifespan L90 B20	47000
Lifespan L90 B10	44000

### PHYSICAL DATA

Housing colour	RAL9003
IP rating	IP54
IK rating	IK03
Diffuser finish	Opal
Diffuser material	PMMA Acrylic

## START Surface IP54 Multipower PIR 3550lm 830/840 0043411

Nominal Product Height (mm)	116
Nominal Product Diameter (mm)	400
Weight (kg)	1.15

### PACKAGING

Product EAN number	5410288434117
Packaging single length / height (cm)	43.0
Packaging single width (cm)	43.0
Packaging single depth (cm)	13.0
DUN14 (outer)	15410288434114
Units per outer package	5
Packaging outer length / height (cm)	67.5
Packaging outer width (cm)	44.3
Packaging outer depth (cm)	44.8

### SAFETY DATA

Optimal operating condition (°C)	-20-40
Special purpose lamp	No
Dry applications use only	No
Suitable for household illumination	No