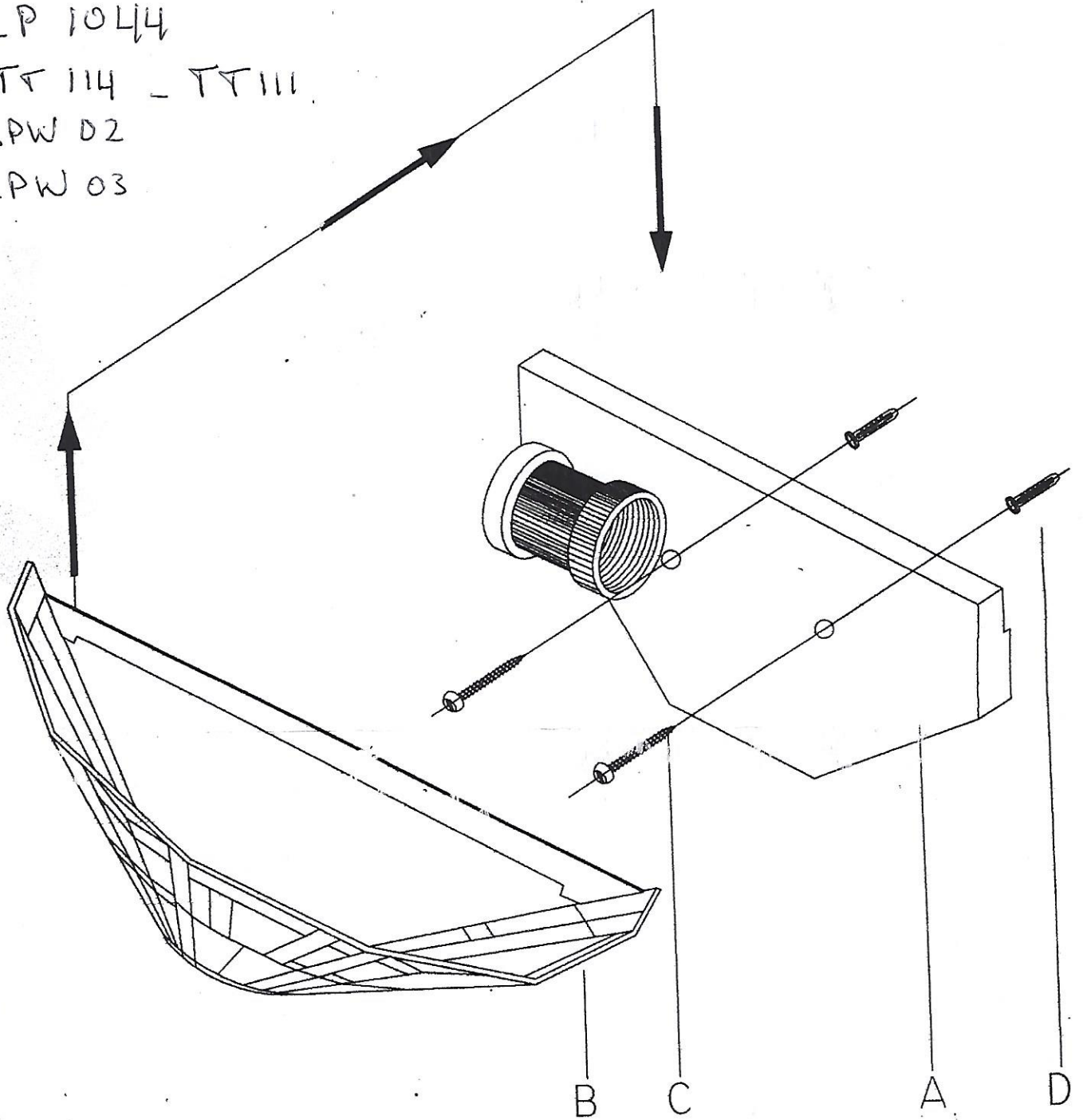


LP 1044

TT 114 - TT 111

LPW 02

LPW 03



**ASSEMBLY STEPS:**

1. C ———— D, A

2. B ———— A