



Paulmann

Safety Instructions

1, 2, 3, 4, 5, 6, 7, 8, 12, 14, 16, 17, 18, 19, 20, 24, 28, 33, 34



Info

www.paulmann.com

Paulmann Licht GmbH
Quezinger Feld 2
31832 Springe
Germany

www.paulmann.com

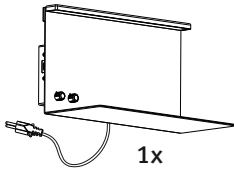
Art.-Nr.:

789.16
789.19

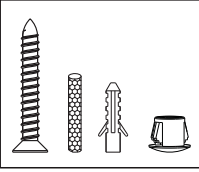
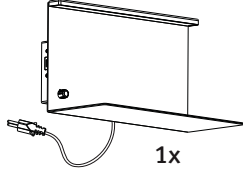
(+MA 0326)PKE 02/19



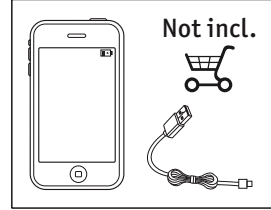
789.19



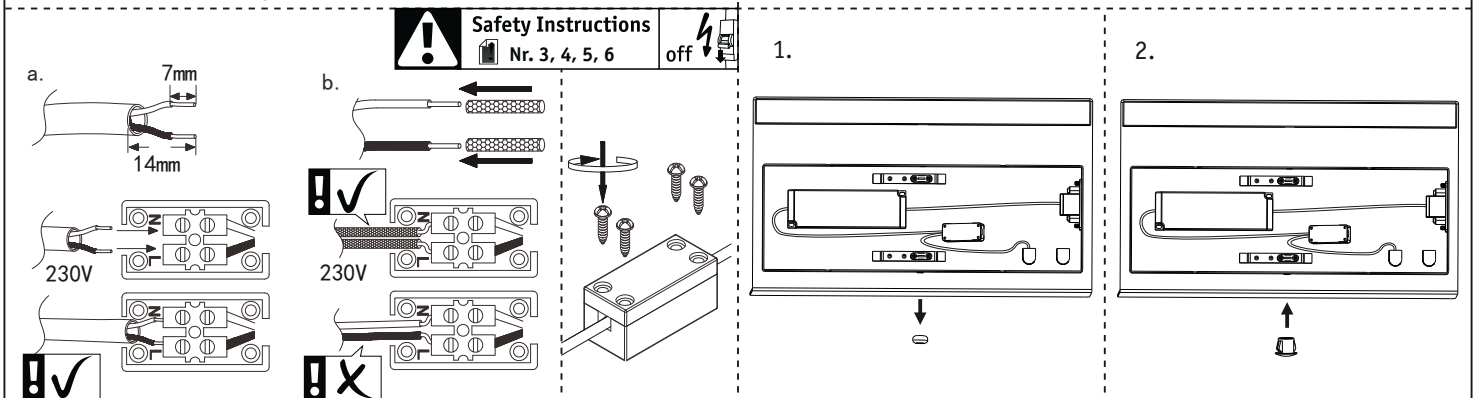
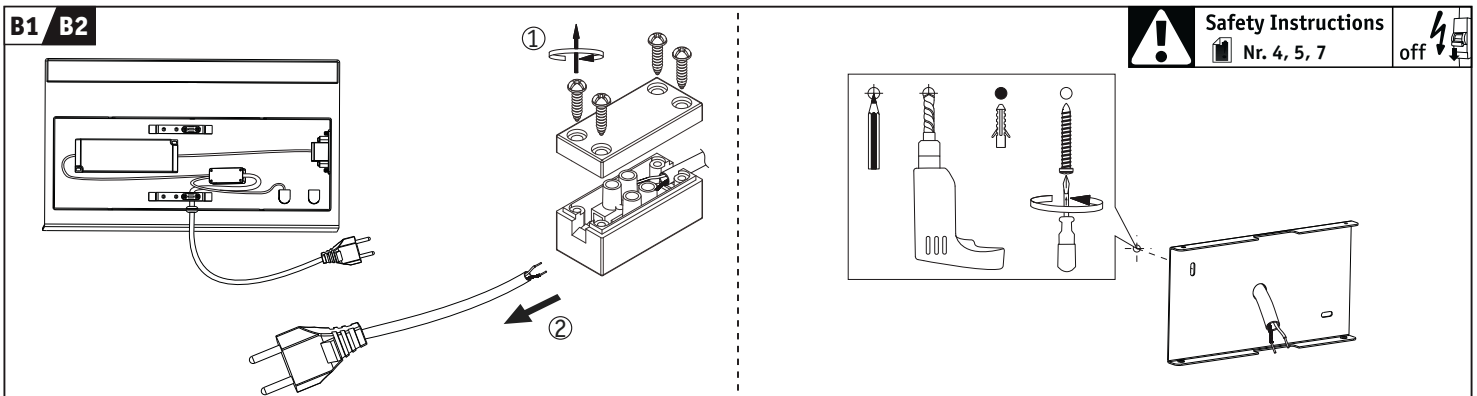
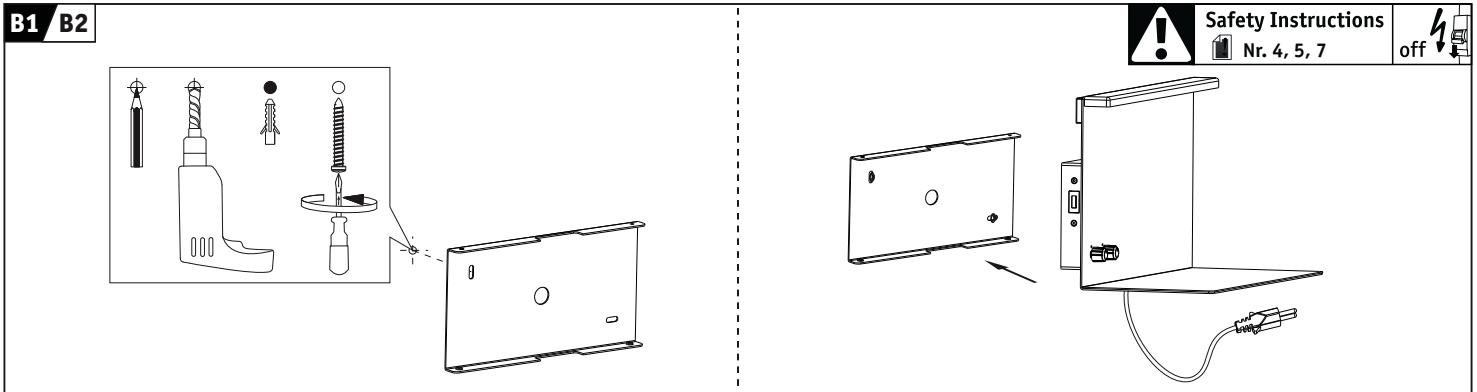
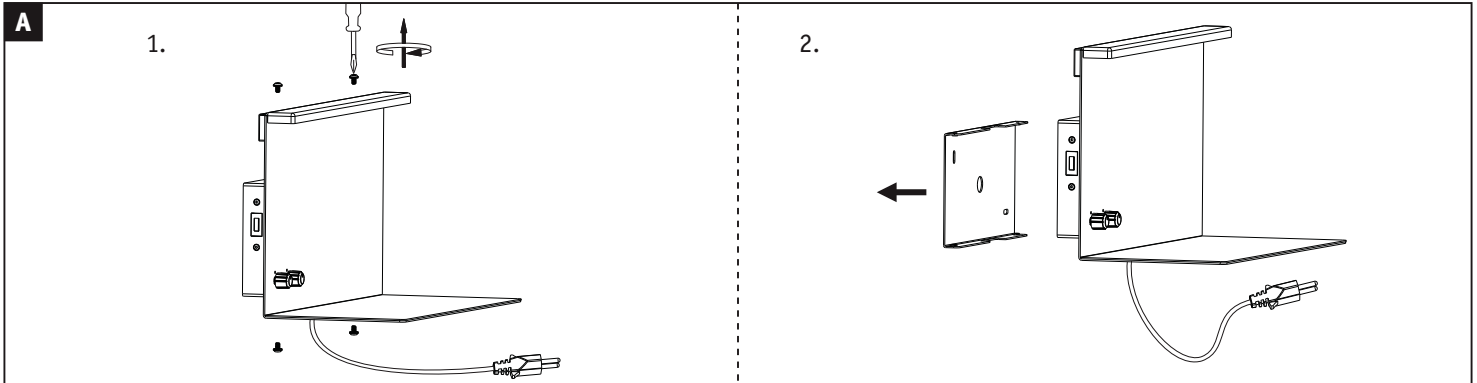
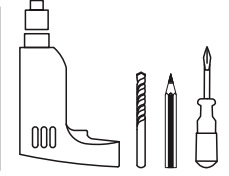
789.16



incl.

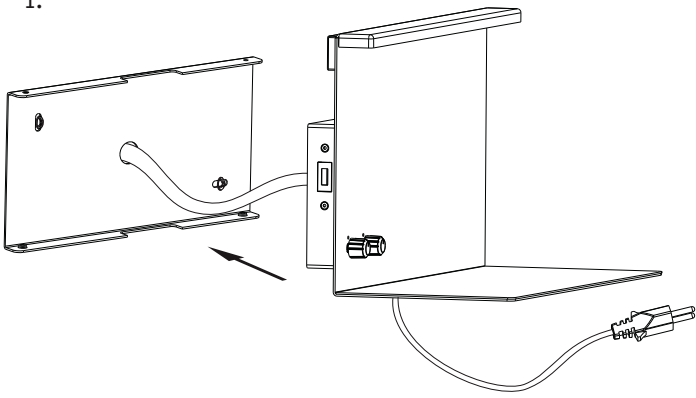


Not incl.

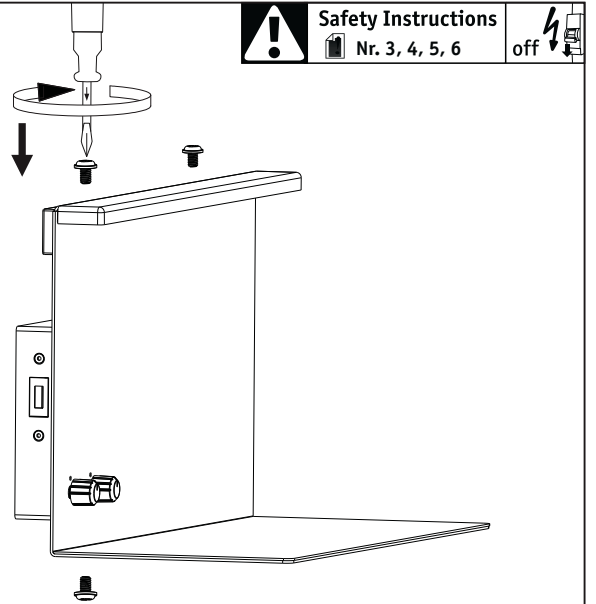


C

1.

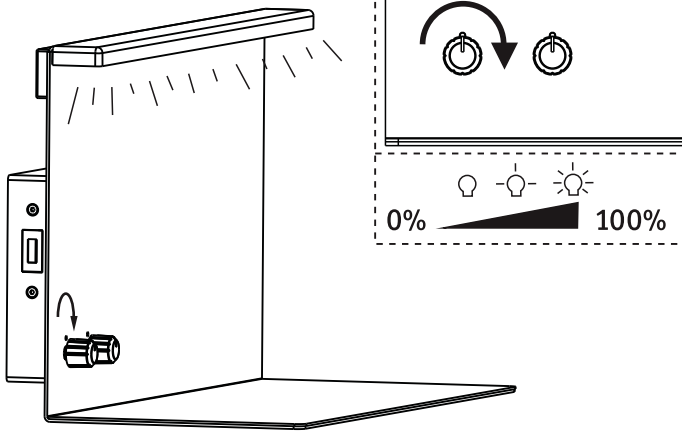
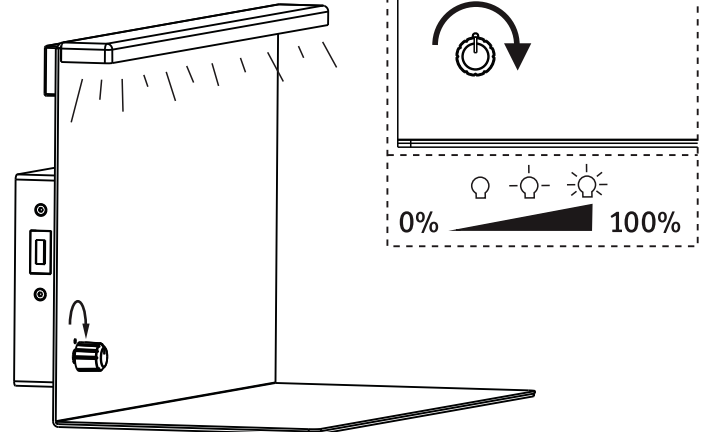
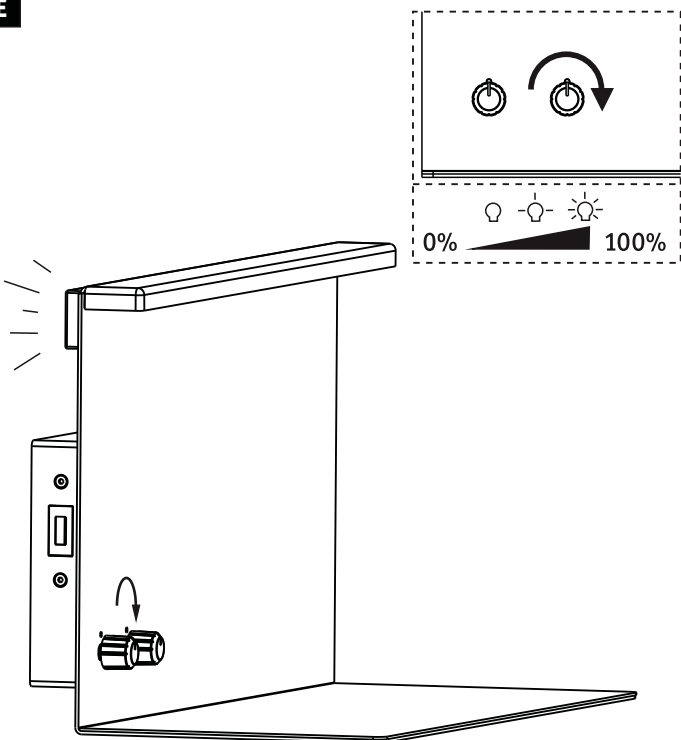


2.



Safety Instructions

Nr. 3, 4, 5, 6

**D****789.19****789.16****E****F**