



Paulmann

### Safety Instructions

1,2,3,4,5,6,7,10,12,15,16,28,33,34



Info

[www.paulmann.com](http://www.paulmann.com)

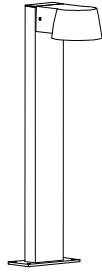
Paulmann Licht GmbH  
Quezinger Feld 2  
31832 Springe  
Germany

[www.paulmann.com](http://www.paulmann.com)

Art.-Nr.: **944.54**  
(+MA 326) PSH 07/20



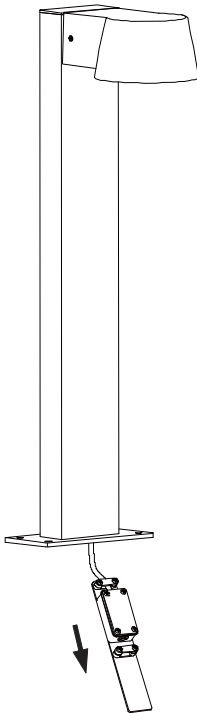
**i** IP44



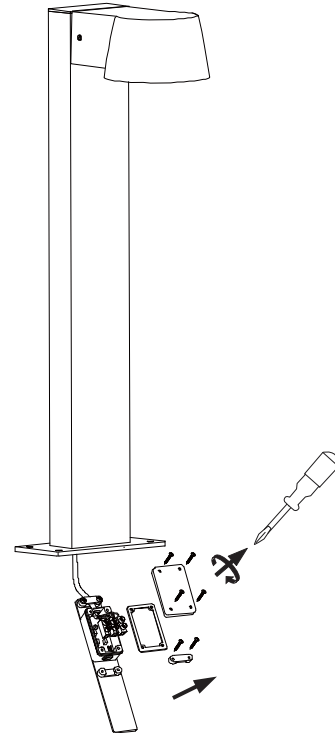
Incl.



**A**



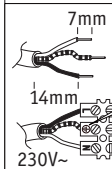
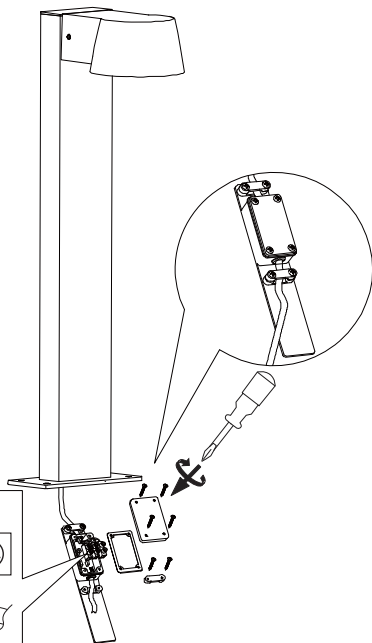
**B**



**C**



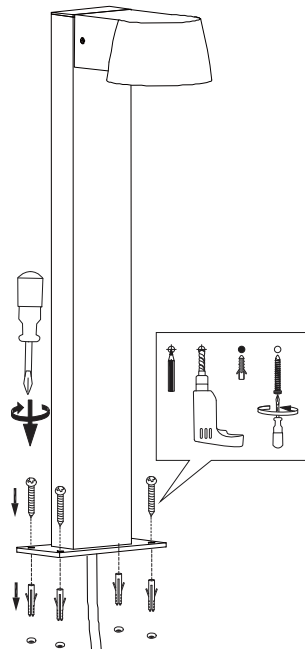
Safety Instructions  
Nr. 3, 4, 5, 6



**D**



Safety Instructions  
Nr. 4, 5, 7



**E**

